



TV series throttle valves are used to restrict flow in one direction.

TCV series throttle check valves can also allow free-flow in the opposite direction as check valves.

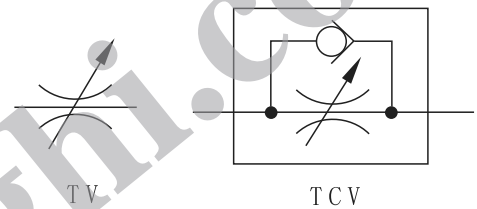
Ordering details

TV	G	03	10
Sort	Mounting type	Nominal size	Design code
TV:Throttle valve TCV:Throttle check valve	Subplate mounting	03:NG10 06:NG20 10:NG30	10

Technical specification

Model	TV/TCV-03	TV/TCV-06	TV/TCV-10
Max.flow rate (l/min)	30	80	200
Working pressure (MPa)	25		
Weight(kgs)	1.3	4.5	8.6

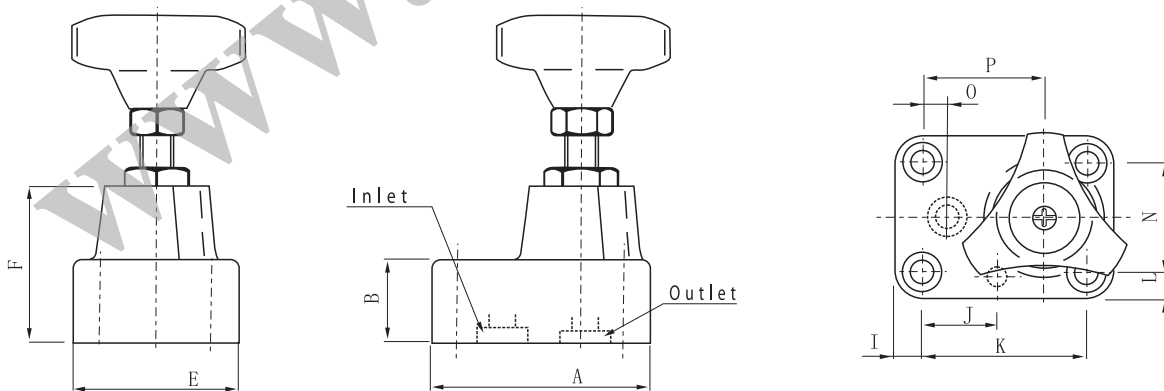
Symbol



Dimensions

Unit: mm

TV/TCV-03/06/10



Model	A	B	C	E	F	I	J	K	L	N	O	P
TV-G03	80	30	P18	60	61	10	30	60	10	40	15	45
TV-G06	92	42	P28	80	73	11	35	70	11	58	16	54
TV-G10	120	55	P36	100	93	14	46	92	14	72	21	71