

RVP series check valves allow free flow in one direction and block flow in the counter direction. The valve connection is subplate mounting.

Ordering details



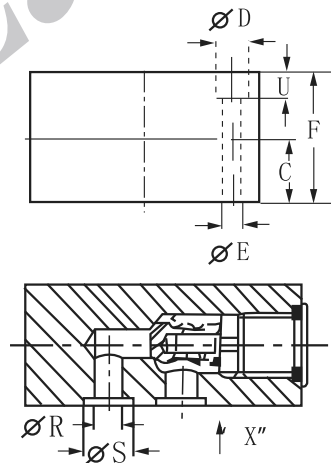
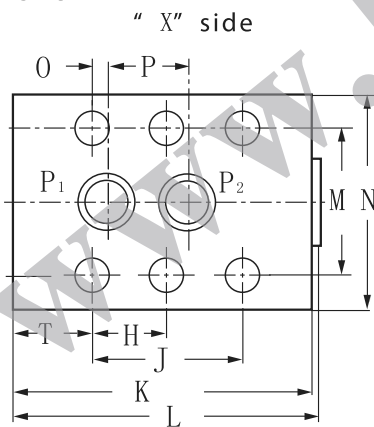
RV	P	6	10	*
Sort	Mounting type	Nominal size	Design code	Remark
Check valve	Subplate mounting	6:NG6 8:NG8 10:NG10 12:NG12 16:NG16 20:NG20 25:NG25 30:NG30 40:NG40	10	Further requirements

Technical specification

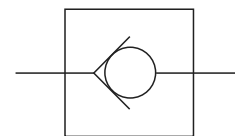
Model	RVP6	RVP8	RVP10	RVP12	RVP16	RVP20	RVP25	RVP30	RVP40
Rated flow (l/min)	15	30	50	80	100	200	300	380	460
Max. operating pressure (MPa)	31.5								
Cracking pressure (MPa)	0.05								
Weight(kgs)	0.26	0.5	0.8	1.1	2.25	3.9	6.7	11	17

Dimensions

Unit: mm



Symbol



Model	C	D	E	F	H	J	K	L	M	N	O	P	R	S	T	U
RVP-6	8	11	6.6	16	-	19	41.5	43	28.5	41.5	1.6	16	5	9.8	6.4	7
RVP-8	10	11	6.6	20	-	35	63.5	65	33.5	46	4.5	25.5	7	12.7	14.2	7
RVP-10	12.5	11	6.6	25	-	33.5	70	72	38	51	4	25.5	10	15.7	18	7
RVP-12	16	11	6.6	32	-	38	80	84	44.5	57.5	4	30	13	18.7	21	7
RVP-16	22.5	14	9	45	38	76	104	107	54	70	11.4	54	17	24.5	14	9
RVP-20	25	14	9	50	47.5	95	127	131	60	76.5	19	57	22	30.5	16	10
RVP-25	27.5	18	11	55	60	120	165	169	76	100	20.6	79.5	28.5	37.5	15	11
RVP-30	37.5	20	14	75	71.5	143	186	190	92	115	23.8	95	35	43.5	15	13
RVP-40	50	20	14	100	67	133.5	192	196	111	140	25.5	89	47.5	57.5	16	13