

KVH series solenoid serial mounting directional valves are solenoid operated directional spool valves, these valves are used to the start, stop and direct oil flow, they are thread type.



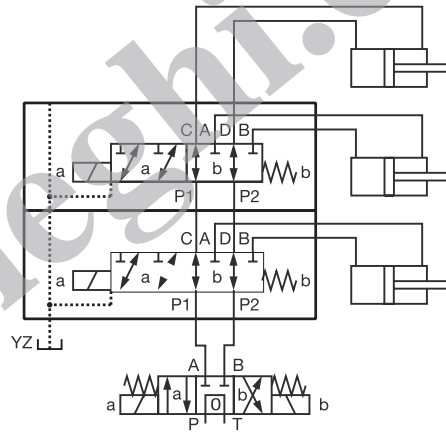
**Technical specification**

KVH	G3/8	G24	Z4L
Sort	Thread size	Input voltage	Connector type
Solenoid serial mounting directional valve	G3/8"	G12:DC12 G24:DC24 W220:AC220 W110:AC110 W220R:RAC220 W110R:RAC110	Z4: Standart plug-in connector Z4L: Plug-in connector with light

**Ordering details**

Model	KVH
Max.flow rate (l/min)	50
Working pressure (MPa)	25
Weight (kgs)	2.5

**Symbol list**



**Dimensions**

Unit: mm

