



DM series manually operated directional valves are direct type directional valves, It can control the start, stop & direction of fluid flow. This series with detent or return spring are available.

Ordering details

DM	G	02	3C2	W	10
Sort	Mounting type	Nominal size	symbols	Spool return	Design code
Manually operated directional valves	G: Subplate mounting T: Thread mounting	02: NG6 Cetop3 03: NG10 Cetop5 04: NG16 Cetop7 06: NG25 Cetop8 10: NG32 Cetop10	See symbols list	W: Spring return O: With detent	10

Technical specification

Model		DMG-02	DMG-03	DMG-04	DMG-06	DMG-10	DMT-03
Max. flow rate (l/min)		60	100	300	500	1100	100
Working pressure (MPa)	A, B, P port	31.5					
	T port	16					
Max. operating pressure (MPa)		21					
Weight(kgs)		1.5	4	7.5	11.8	49.5	4

Symbol list



Spring return

With detent

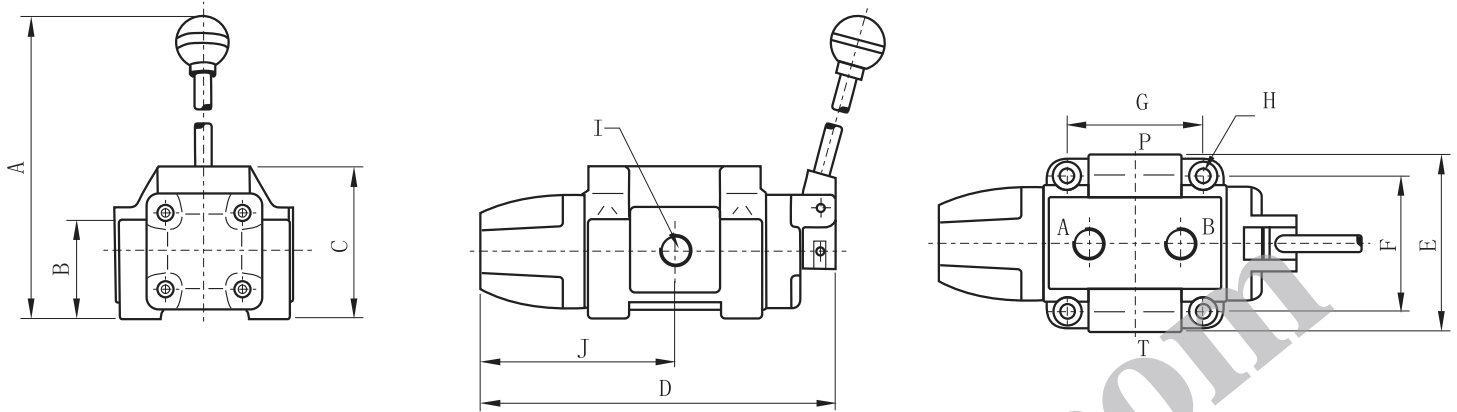
Code	Three positions	Code	Two positions
3C2		2B2	
3C3		2B3	
3C4		2B20	
3C40		Code	Two positions
3C5		2B2S	
3C6		2B3S	
3C60		2B20S	



Dimensions

Unit: mm

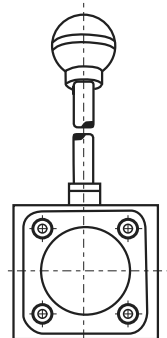
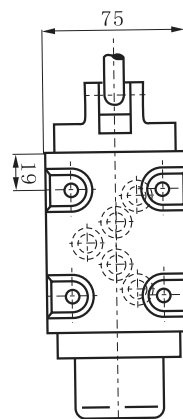
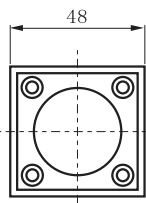
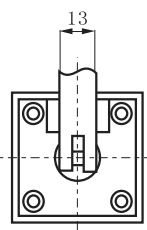
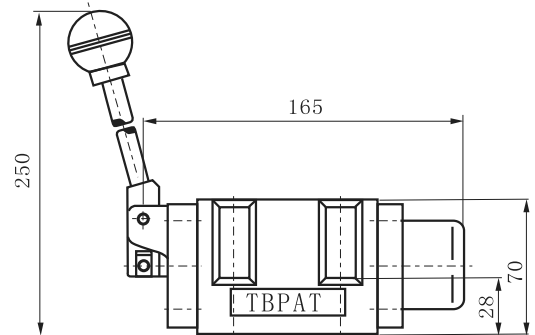
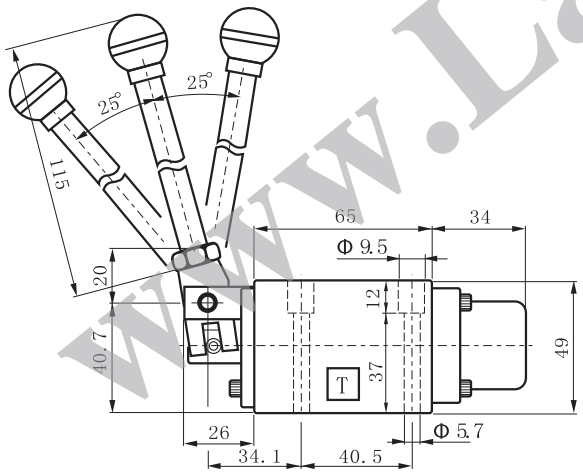
DMT-03



Code	A	B	C	D	E	F	G	H	I	J
DMT-03	250	75	87	178	78	50	56	7	PT3/8"	96

DMG-02

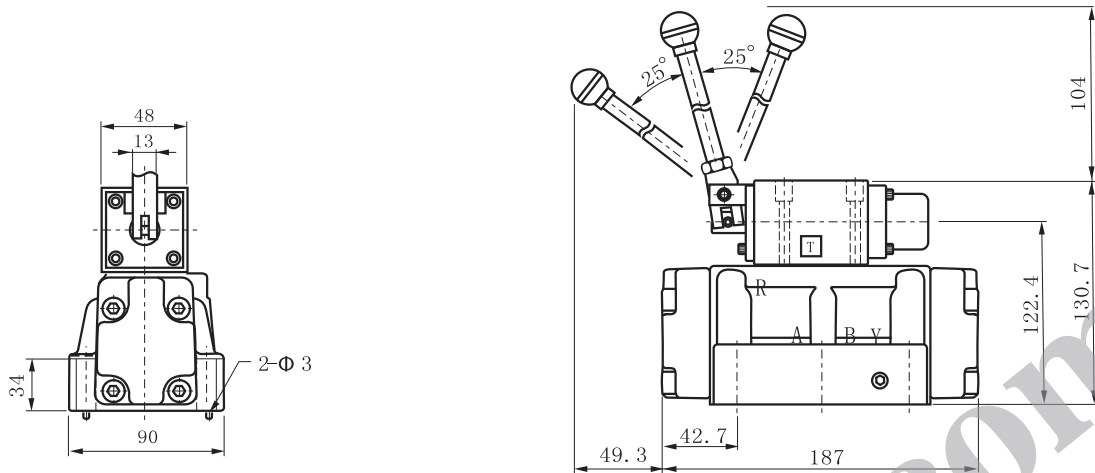
DMG-03



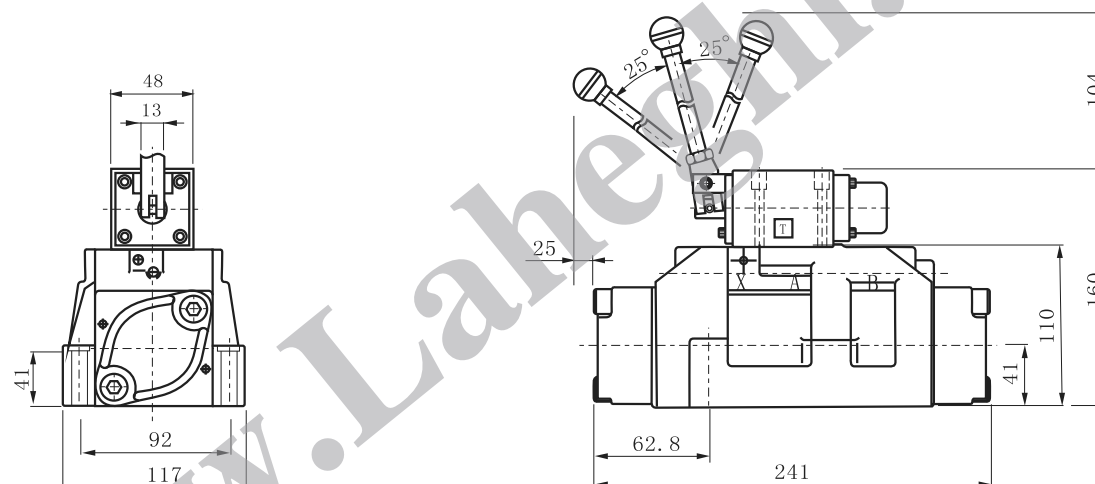
Dimensions

Unit: mm

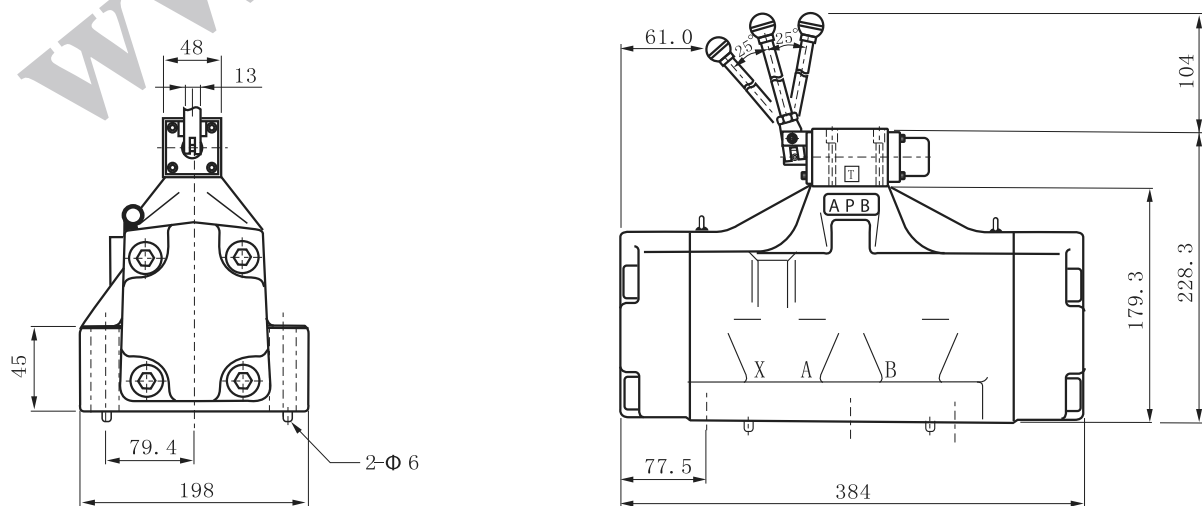
DMG-04



DMG-06



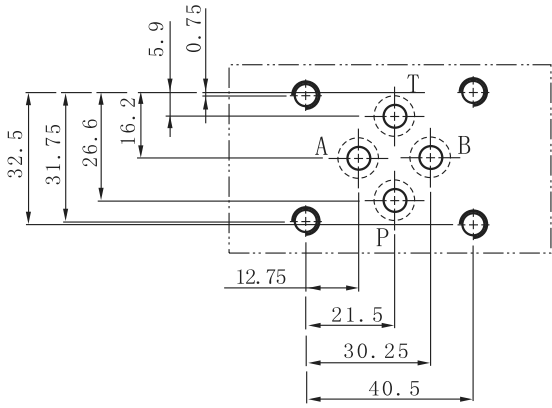
DMG-10



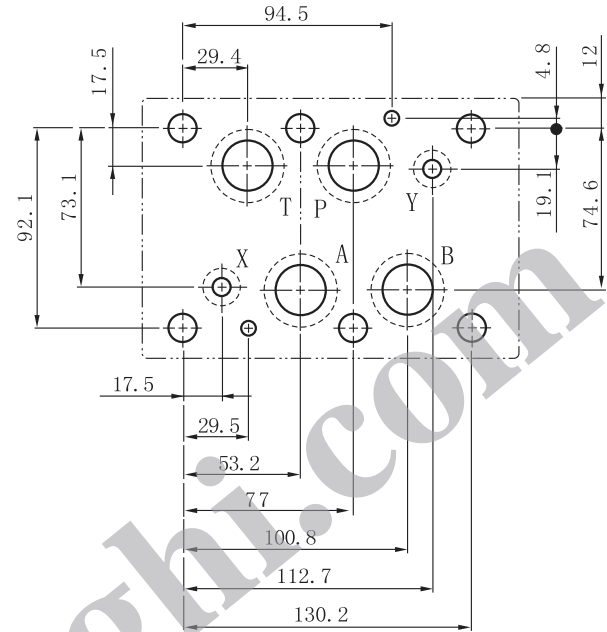
Mounting dimensions

Unit: mm

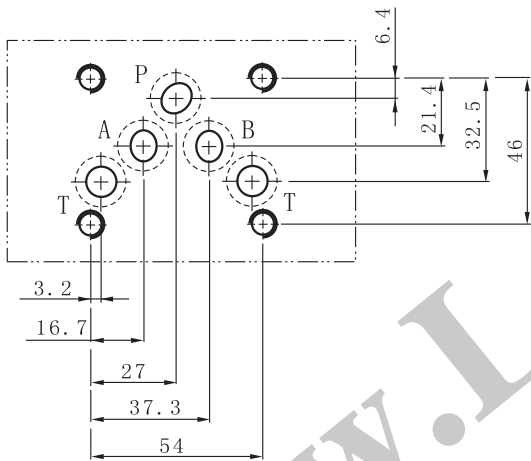
DMG-02



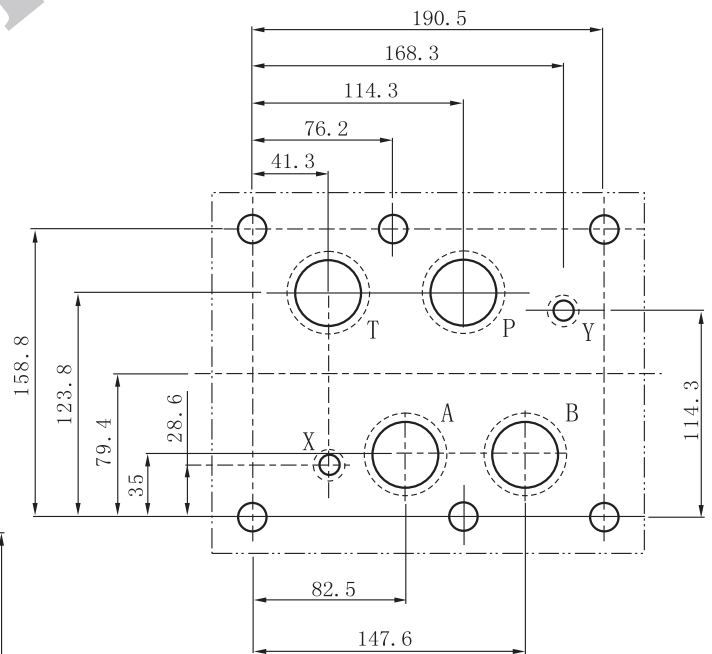
DMG-06



DMG-03



DMG-10



DMG-04

