

DL4WE series solenoid serial mounting directional valves are solenoid operated directional spool valves, these valves are used to the start, stop and direct oil flow, they are thread type.

Technical specification

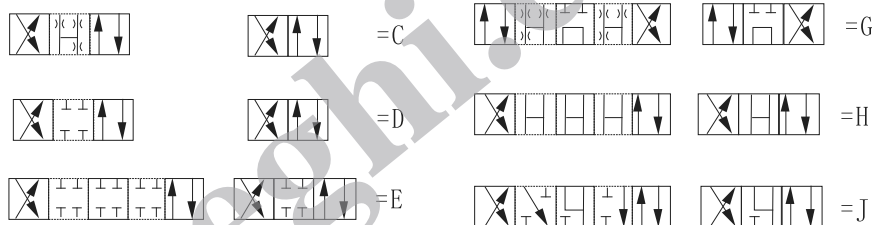


DL4WE	G1/4	E	G24	Z4L
Sort	Thread size	symbols	Input voltage	Connector type
Solenoid serial mounting directional valve	G1/4	See symbols list	G12:DC12 G24:DC24 W220:AC220 W110:AC110 W220R:RAC220 W110R:RAC110	Z4: Standart plug-in connector Z4L: Plug-in connector with light

Ordering details

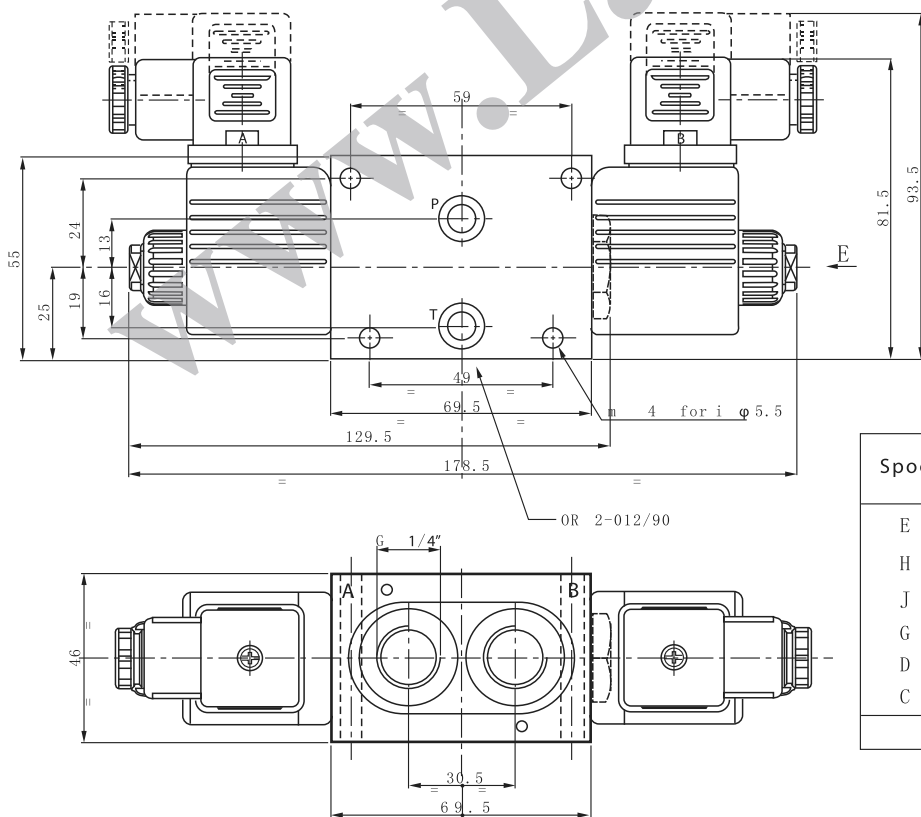
Model	DL4WE
Max.flow rate (l/min)	30
Working pressure (MPa)	A,B,P port 31.5
	T port 16
Weight (kgs)	2.2

Symbol list

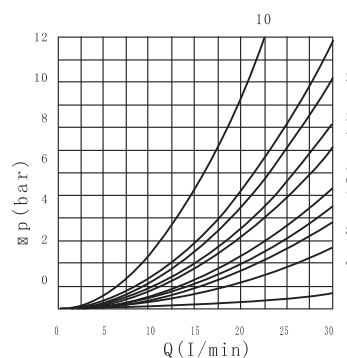


Dimensions

Unit: mm



Pressure drop-flow curve



Spool	Flow direction					
	P-->A	P->B	A->T	B->T	P->T	P-T passing
E	4	4	4	4	/	9
H	7	7	6	6	7	9
J	4	4	6	6	/	9
G	2	2	1	1	5	9
D	6	6	5	10	/	9
C	6	6	10	5	/	9
Curve code						