

DCG series mechanical operated directional valves can control the start, stop & direction of fluid flow by mechanical movement.



Ordering details

DC	G	02	2B2	R	10
Sort	Mounting type	Nominal size	symbols	Roller positon	Design code
Mechanical operated directional valve	Subplate mounting	02:NG6 Cetop3 03:NG10 Cetop5	See symbols list	R:P port side L:T port side Y:nameplate side	10

Technical specification

Model		DCG-02	DCG-03
Max.flow rate (l/min)		30	100
Working pressure (MPa)	A,B,P port	21	25
	T port	7	10
Weight(kgs)		1.1	3.8

Symbol list

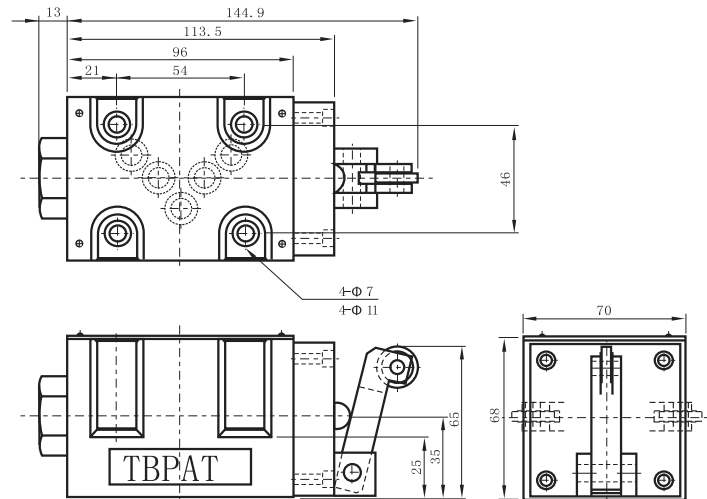
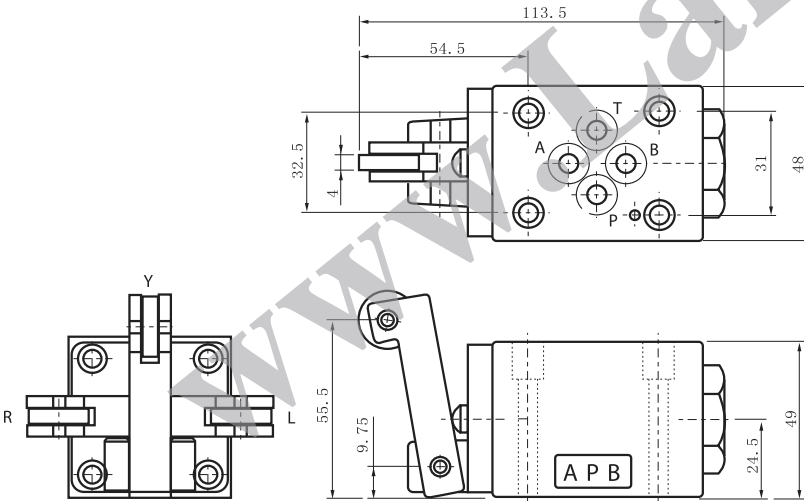
2B8		2B3	
2B2L		3B3L	
2B2		2B8L	

Dimensions

Unit: mm

DMG-02

DMG-03



Mounting dimensions

