

4WEJ series directional control valves with spool position detection can inspect spool position change exactly. They are usually used in plastic injection machines etc, which need to promote safety performance in hydraulic systems.

Technical specification

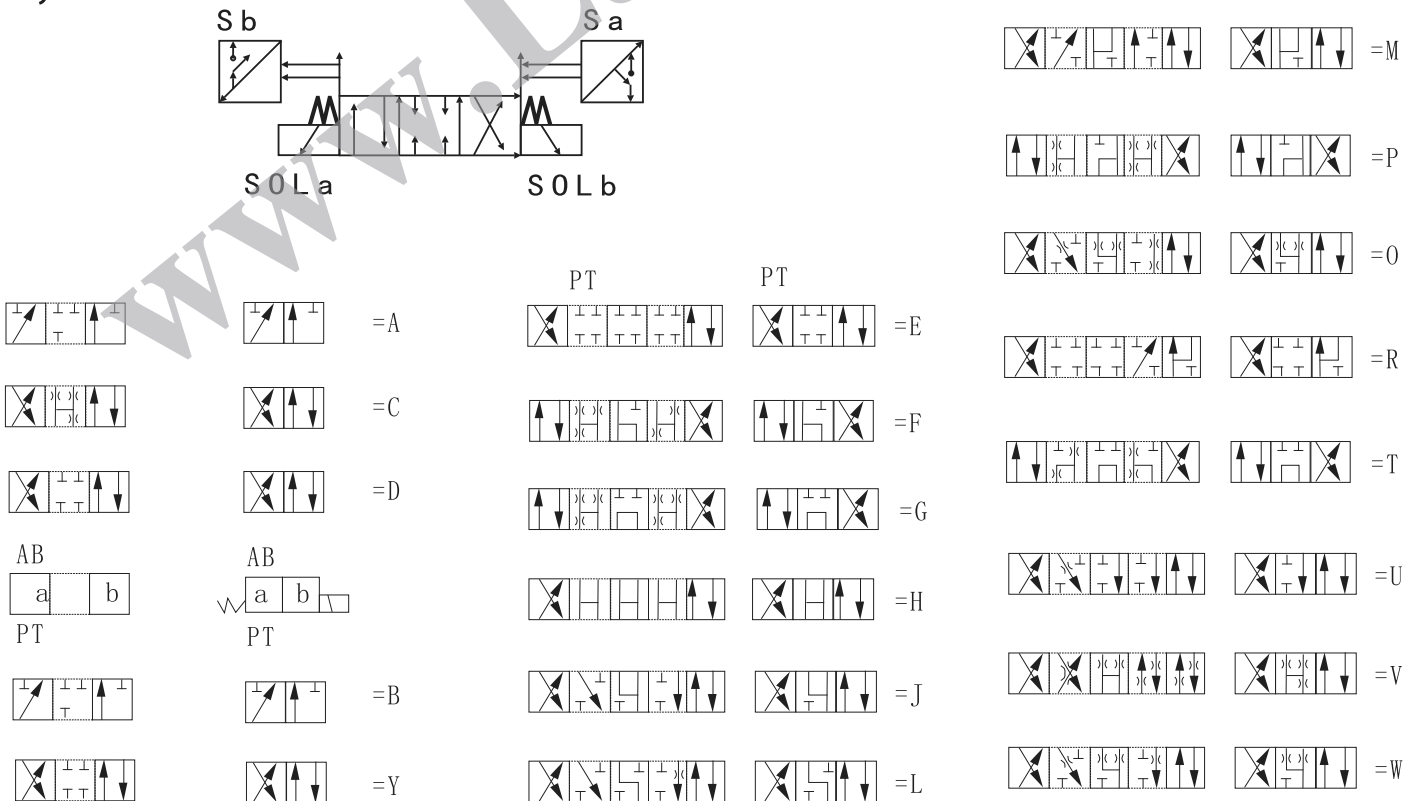


Model		4WEJ6	4WEJ10
Max.flow rate (l/min)		80	100
Working pressure (MPa)		A,B,P port 31.5	A,B,P port 31.5
		T port 16	T port 16
Weight (kgs)	Single solenoid	2.2	6.3
	double solenoids	3.5	9

Ordering details

4WEJ	6	E	A	G24	JS	A	S
Sort	Nominal size	symbols	Connector type	Input voltage	Detecting position	Detection contact mode	Other series
Solenoid operated directional valve with spool position detection	6:NG6 10:NG10	See symbols list	A:Connector with light B:Connector without light	G12:DC12 G24:DC24 W220R:RAC220 W110R:RAC110	JA:A side JB:B side JS:Both sides	A:Normal closed B:Normal open	No code: Standard S: Shock absorption

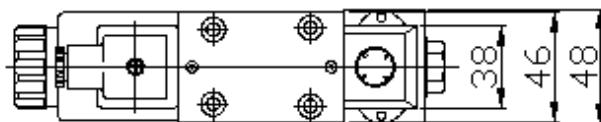
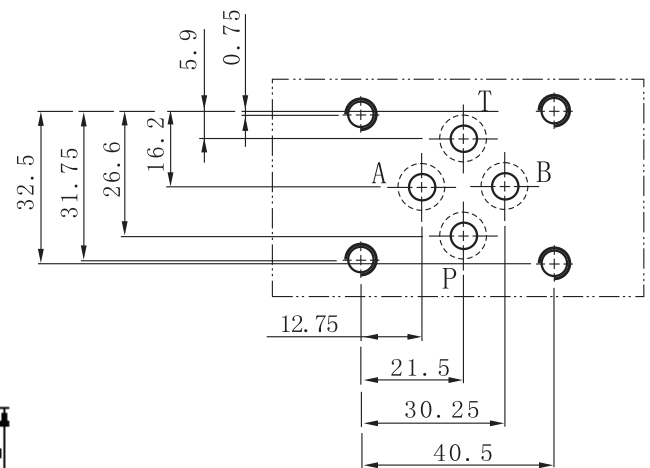
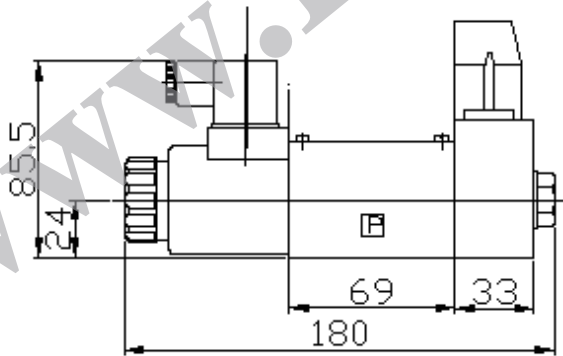
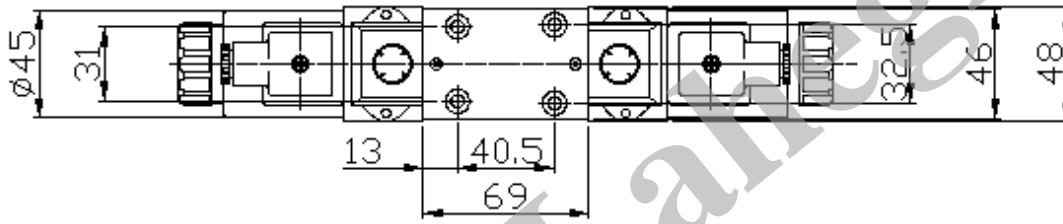
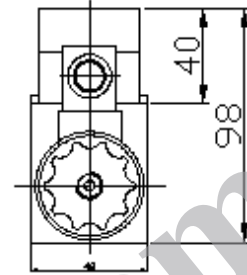
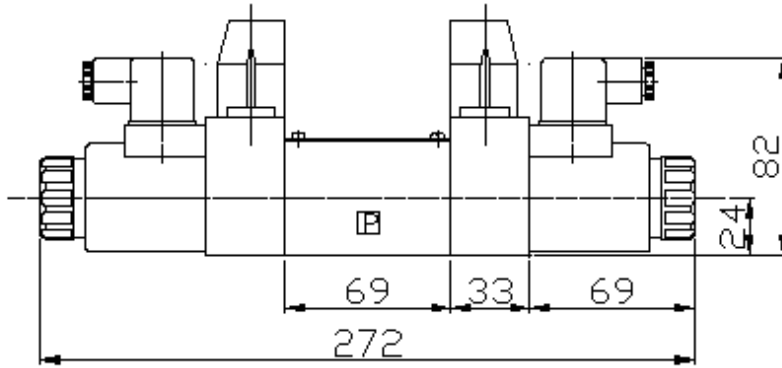
Symbol list



Dimensions

Unit: mm

4WEJ6



Dimensions

Unit: mm

4WEJ10

