



SRVG series solenoid operated relief valves can be used to control and unload system pressure and make hydraulic system controlled by two stage or three stage.

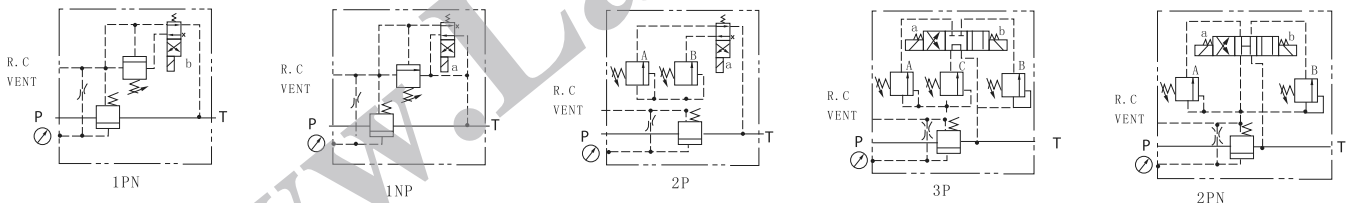
Technical specification

Model		SRVG-03	SRVG-06
Max. flow rate (l/min)		100	200
Working pressure (MPa)		25	
Weight(kgs)	1PN/1NP	7.5	8
	2P	—	10
	2NP/3P	—	12

Ordering details

SRV	G	03	1PN	1	A240	10
Sort	Mounting type	Nominal size	Normal state	Pressure adjustment range	Input voltage	Connector type
Solenoid operated relief valves	Subplate mounting	03:NG10 06:NG20	1PN:Normal open 1NP:Normal closed 2P:Two stage 3P:Three stage 2PN:Two stage normal open	1:2~70bar 2:35~140bar 3:70~250bar	D12:DC12 D24:DC24 A240:AC240 A220:AC220 A110:AC110 R240R:RAC240 R220R:RAC220 R110R:RAC110	10: Wire box with light 20: Plug-in connector with light

Symbol



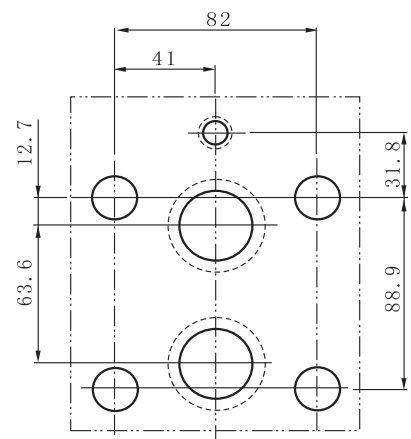
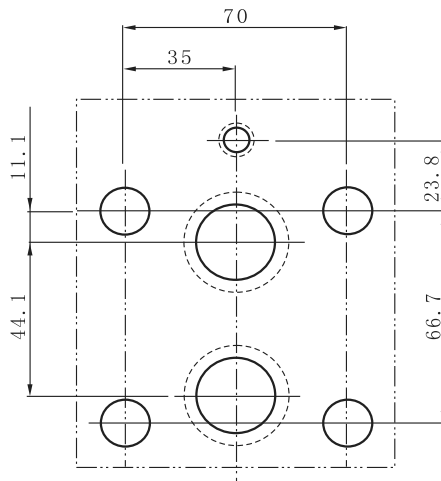
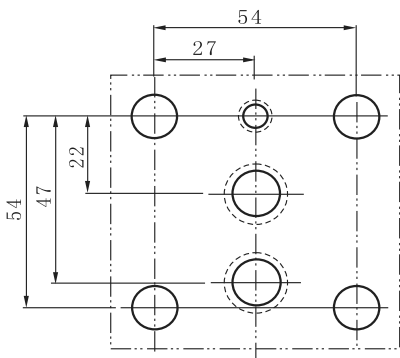
Mounting size

Unit: mm

SRVG-03

SRVG-06

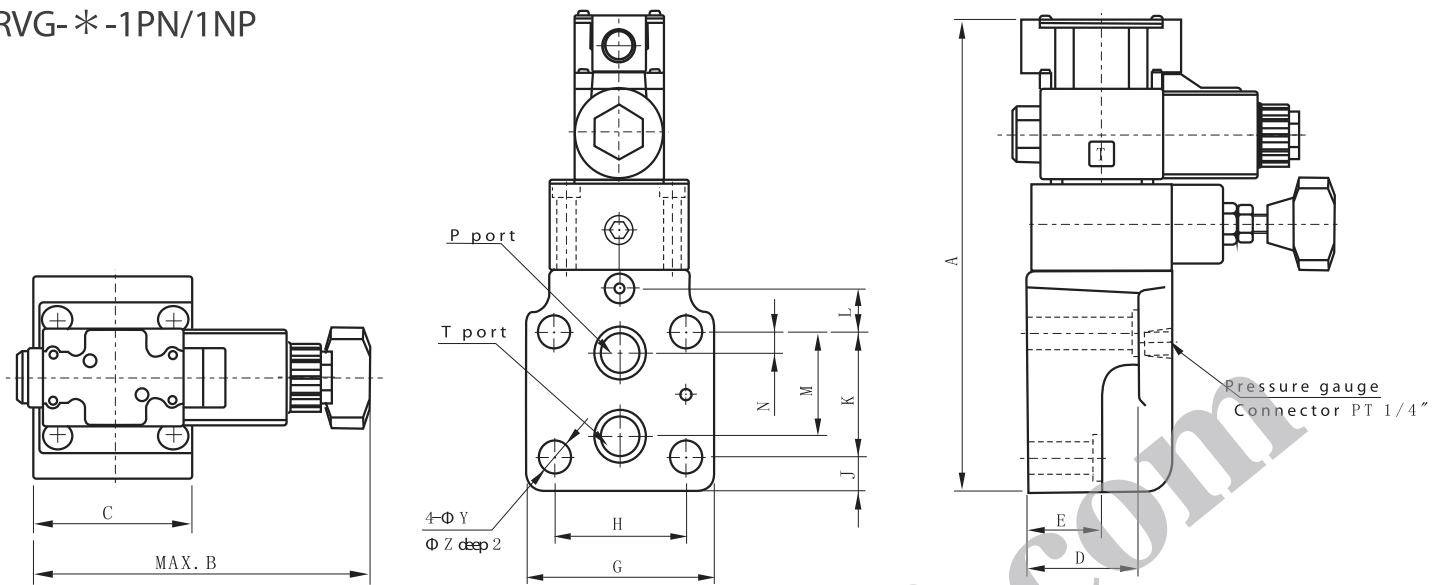
SRVG-10



Dimensions

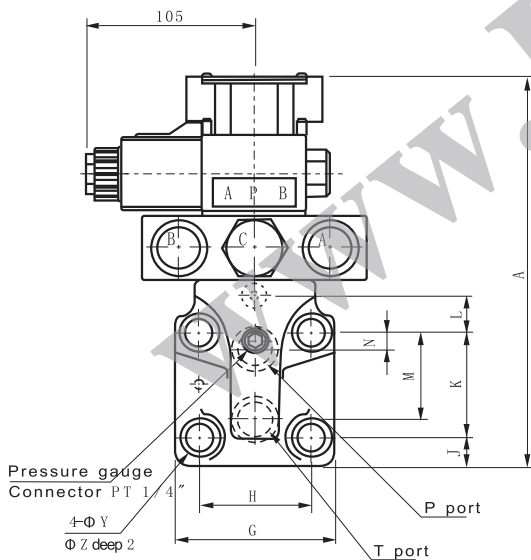
Unit: mm

SRVG- *-1PN/1NP



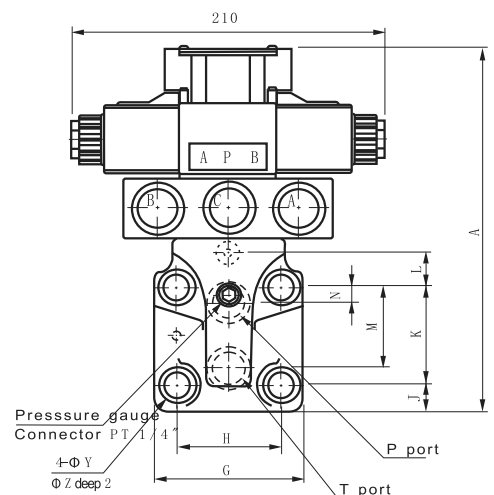
Model	A	B	C	D	E	G	H	J	K	L	M	N	Y	Z
SRV-G03-1PN/1NP-**	228.5	175	78	78	57	82	53.8	21.5	53.8	0	47.5	22	13.5	21
SRV-G06-1PN/1NP-**	254	175	78	60	40	102	70	19	66.7	23.8	55.5	11	17.5	26
SRV-G10-1PN/1NP-**	281	184	87.5	67	47	124	82.6	20	88.9	31.8	76.2	12.7	22	32

SRVG-06/10-2P



Model	A	G	H	J	K	L	M	N	Y	Z
SRV-G06-2P-**	244	104	70	16.9	66.7	23.8	55.5	11	17.5	26
SRV-G10-2P-**	281	124	82.6	18	88.9	31.8	76.2	12.7	21.5	32

SRVG-06/10-2PN/3P



Model	A	G	H	J	K	L	M	N	Y	Z
SRV-G06-2PN/3P-**	244	104	70	16.9	66.7	23.8	55.5	11	17.5	26
SRV-G10-2PN/3P-**	281	124	82.6	18	88.9	31.8	76.2	12.7	21.5	32