



BS series pilot operated relief valves and SBS series solenoid operated relief valves can be used to control and unload system pressure. Both of valves use low noise design and have better stability in operation.

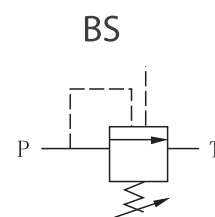
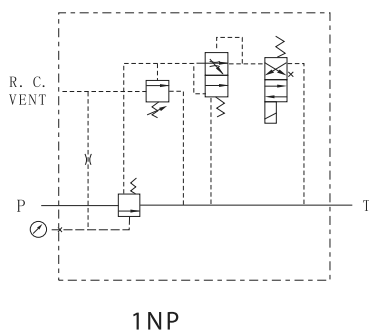
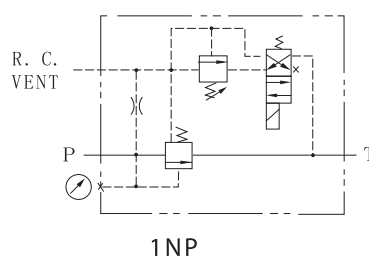
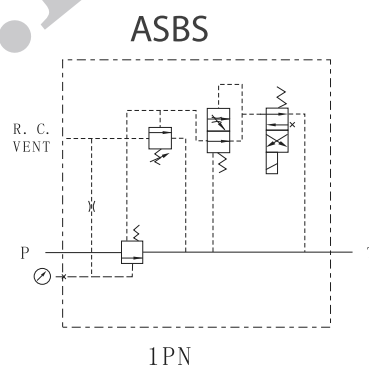
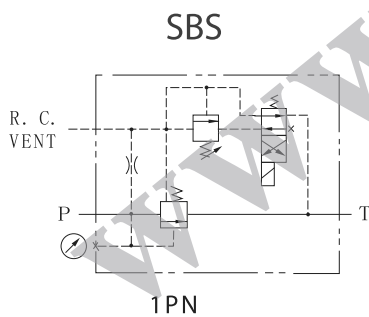
**Technical specification**

| Model                  | BS-03 | SBS-03 | ASBS-03 | BS-06 | SBS-06 | ASBS-06 | BS-10 | SBS-10 | ASBS-10 |
|------------------------|-------|--------|---------|-------|--------|---------|-------|--------|---------|
| Max. flow rate (l/min) | 100   |        |         | 200   |        |         | 400   |        |         |
| Working pressure (MPa) | 25    |        |         |       |        |         |       |        |         |
| Weight(kgs)            | 4.7   | 6.5    | 7.5     | 6     | 7.5    | 8.5     | 11.5  | 13     | 14.5    |

**Ordering details**

| A  | SBS  | G                 | 03                            | 1PN                                  | 1                                       | L                  | A240  | 10  | 30          |
|--|--|-------------------|-------------------------------|--------------------------------------|---|--------------------|---|---|-------------|
| Shockproof valve D                         | Sort   | Mounting type     | Nominal size                  | Normal state                         | Pressure adjustment range               | Handwheel position | Input voltage   | Connector type  | Design code |
| No code: Omit<br>A:With shockproof valve D | BS:Pilot operated relief valves<br>SBS:Solenoid operated relief valves | Subplate mounting | 03:NG10<br>06:NG20<br>10:NG30 | 1PN:Normal open<br>1NP:Normal closed | 1:2~70bar<br>2:35~140bar<br>3:70~250bar | L:Left<br>R:Right  | D12:DC12<br>D24:DC24<br>A240:AC240<br>A220:AC220<br>A110:AC110<br>R240:RAC240<br>R220:RAC220<br>R110:RAC110 | 10:Wire box with light<br>20:Plug-in connector with light | 30          |

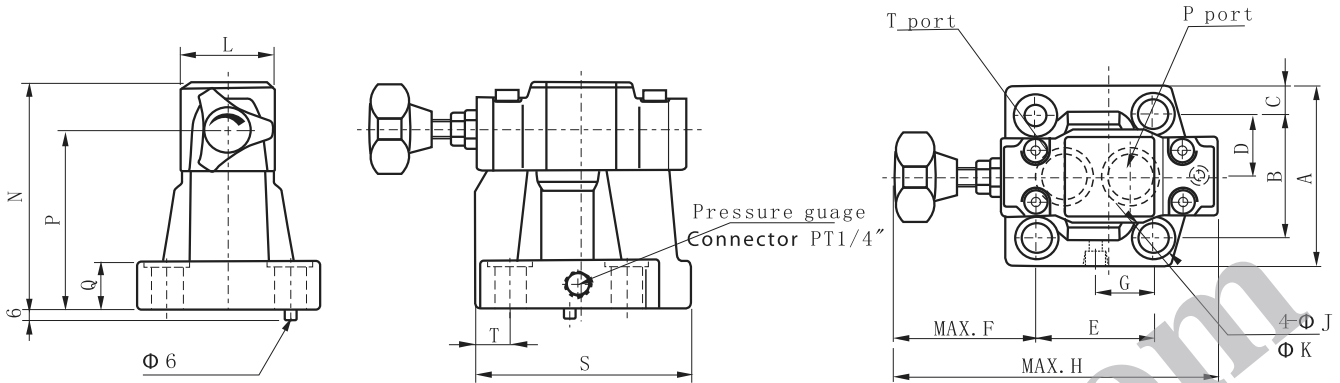
**Symbol list**



Dimensions

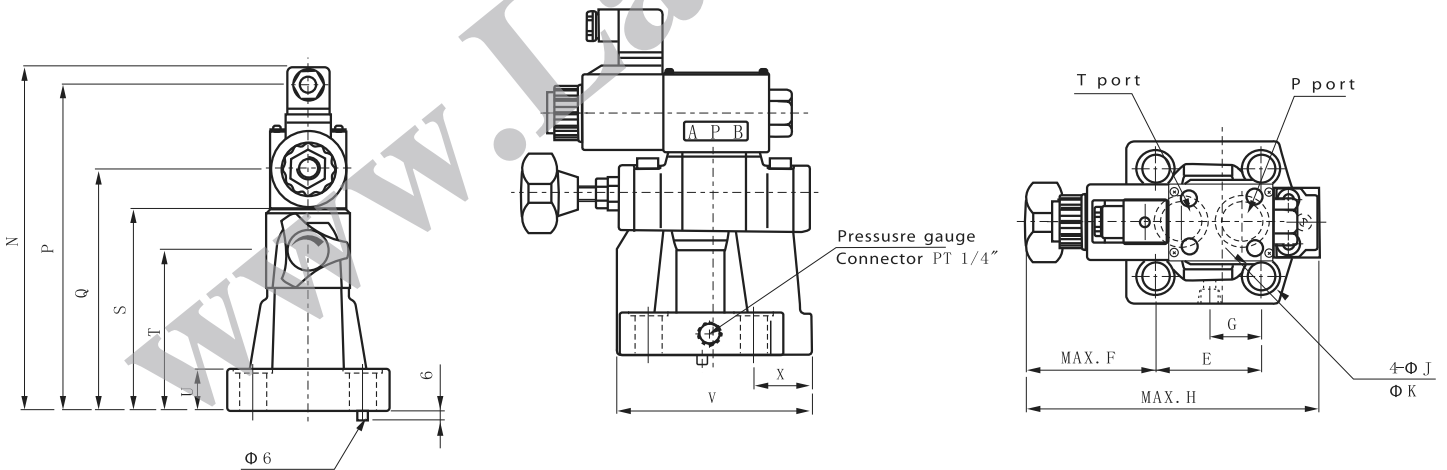
Unit: mm

BSG-03/06/10



| Model  | A   | B    | C    | D    | E    | F     | G    | H   | J    | K  | L  | N   | P   | Q    | S   | T    |
|--------|-----|------|------|------|------|-------|------|-----|------|----|----|-----|-----|------|-----|------|
| BS-G03 | 76  | 53.8 | 11.1 | 26.9 | 53.8 | 113.5 | 22   | 171 | 13.5 | 21 | 51 | 132 | 104 | 22   | 106 | 26.1 |
| BS-G06 | 104 | 70   | 17   | 35   | 66.7 | 98.8  | 27   | 171 | 17.5 | 25 | 51 | 132 | 104 | 27   | 123 | 19.3 |
| BS-G10 | 120 | 82.6 | 18.7 | 41.3 | 88.9 | 89    | 33.5 | 219 | 21.5 | 32 | 65 | 167 | 135 | 33.5 | 155 | 21.1 |

SBSG-03/06/10

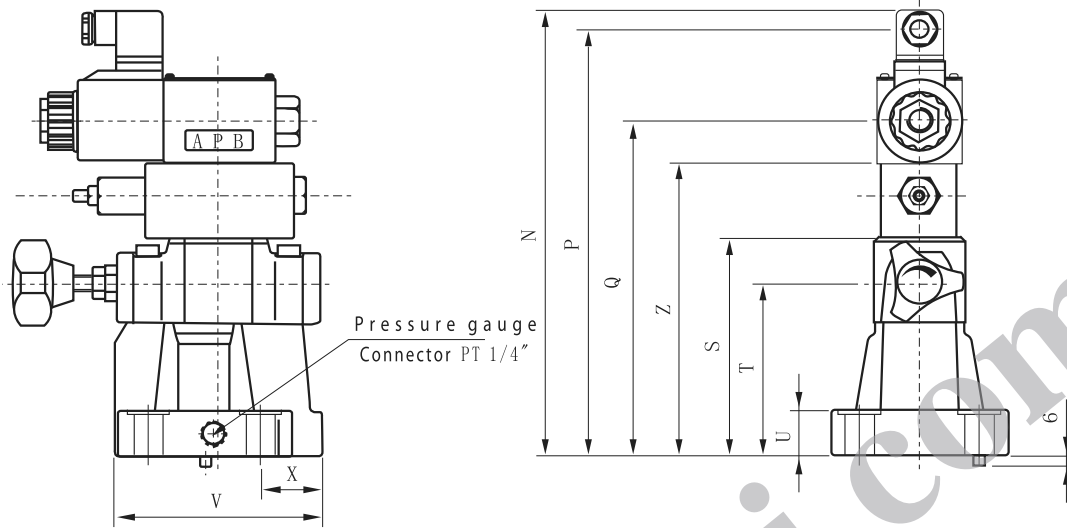


| Model   | A   | B    | C    | D    | E    | F     | G    | H   | J    | K  | L  | N     | P     | Q     | S   | T   | U    | V   | X    |
|---------|-----|------|------|------|------|-------|------|-----|------|----|----|-------|-------|-------|-----|-----|------|-----|------|
| SBS-G03 | 76  | 53.8 | 11.1 | 26.9 | 53.8 | 113.5 | 27   | 171 | 13.5 | 21 | 48 | 220.5 | 206.8 | 157   | 132 | 104 | 22   | 106 | 26   |
| SBS-G06 | 104 | 70   | 17   | 35   | 66.7 | 98.8  | 33.7 | 171 | 17.5 | 25 | 48 | 220.5 | 206.8 | 157   | 132 | 104 | 27   | 123 | 36.5 |
| SBS-G10 | 120 | 82.6 | 18.7 | 41.3 | 88.9 | 100   | 44.9 | 182 | 21.5 | 25 | 65 | 247.5 | 237.5 | 191.5 | 167 | 135 | 33.5 | 155 | 47   |

Dimensions

Unit: mm

ASBSG-03/06/10



| Model     | Z   | N     | P     | Q     | S   | T   | U    | V   | X    |
|-----------|-----|-------|-------|-------|-----|-----|------|-----|------|
| A-SBS-G03 | 172 | 260.5 | 246.8 | 197   | 132 | 104 | 22   | 106 | 26   |
| A-SBS-G06 | 172 | 260.5 | 246.8 | 197   | 132 | 104 | 27   | 123 | 36.5 |
| A-SBS-G10 | 207 | 287.5 | 277.5 | 231.5 | 167 | 135 | 33.5 | 155 | 47   |

Mounting size

Unit: mm

BS/SBS/ASBS-03

BS/SBS/ASBS-06

BS/SBS/ASBS-10

