

MTCV series modular throttle check valves are used to restrict flow in one direction while allowing free-flow in the opposite direction as check valves.

Ordering details

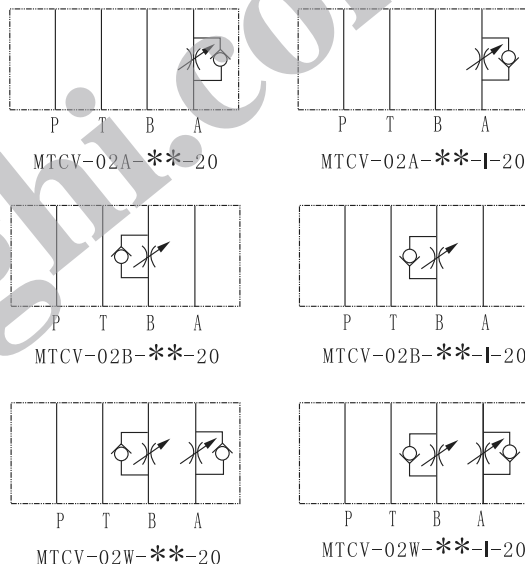


MTCV	02	A	K	I	20
Sort	Nominal size	Pilot oil port	Adjustment type	Oil control	Design code
Modular throttle check valve	02:NG6 Cetop3 03:NG10 Cetop5 04:NG16 Cetop7 06:NG22 Cetop8	A:A port B:B port W:A&B port	No code: Without knob K: With plastic knob	No code: Meter out I: Meter in	20

Technical specification

Model		MTCV-02	MTCV-03	MTCV-04	MTCV-06
Max. flow rate (l/min)		35	70	300	450
Working pressure (MPa)		25			
Weight(kgs)	A, B	1.2	2.6	5.2	12.2
	W	1.4	2.8	5.5	13

Symbol list

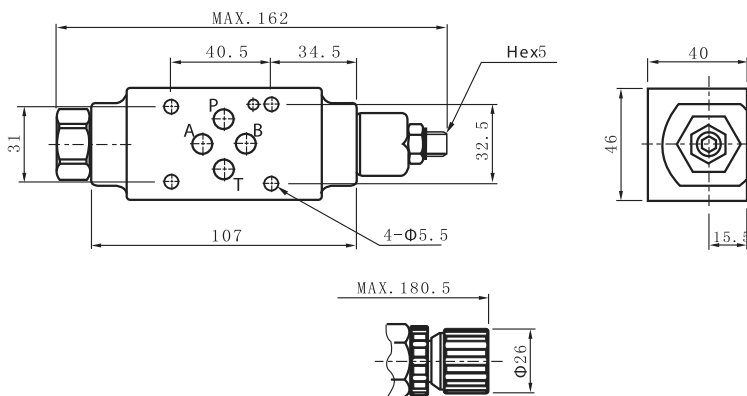
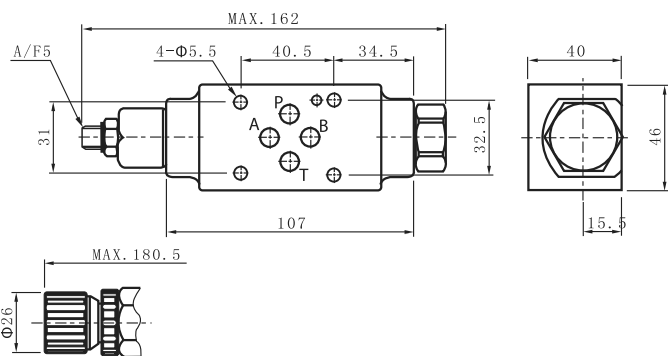


Dimensions

Unit: mm

MTCV-02A

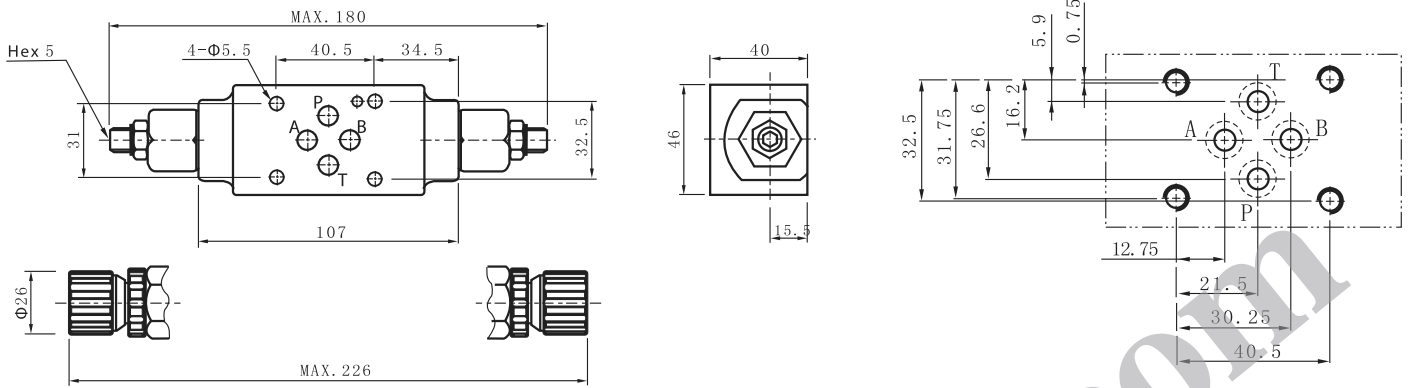
MTCV-02B



Dimensions

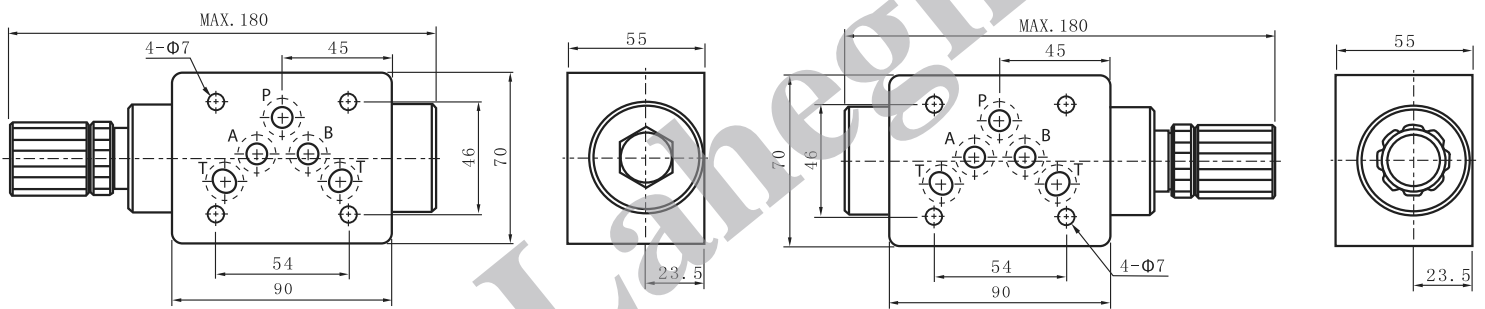
Unit: mm

MTCV-02W

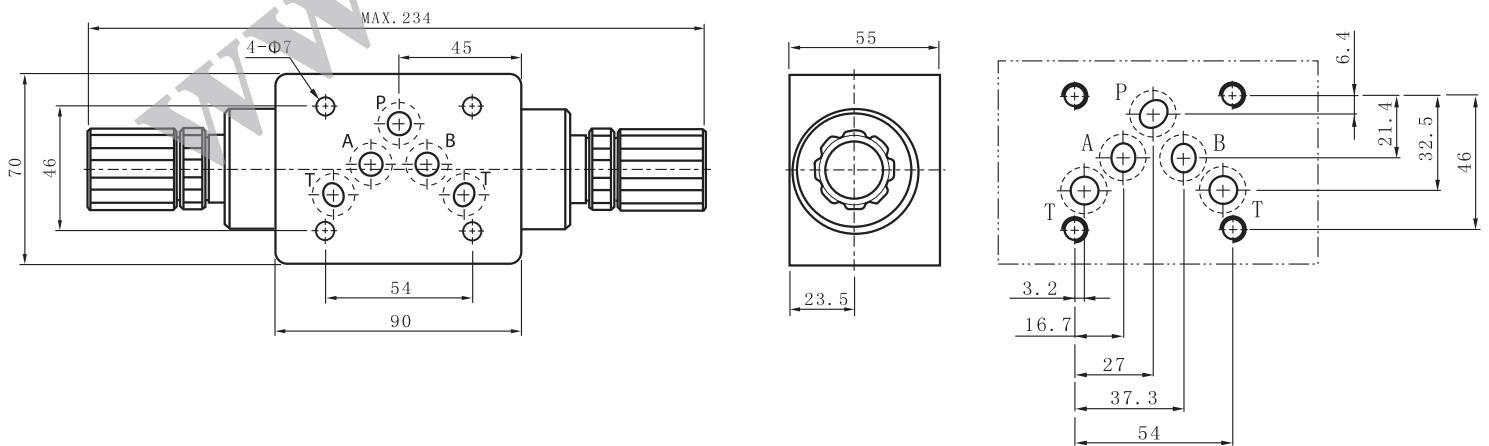


MTCV-03A

MTCV-03B



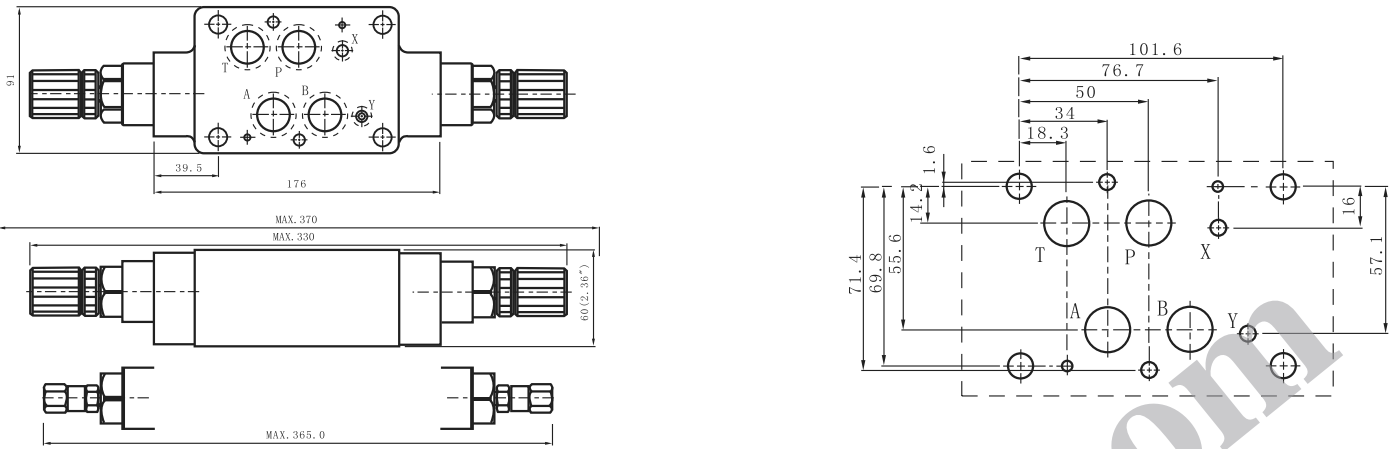
MTCV-02W



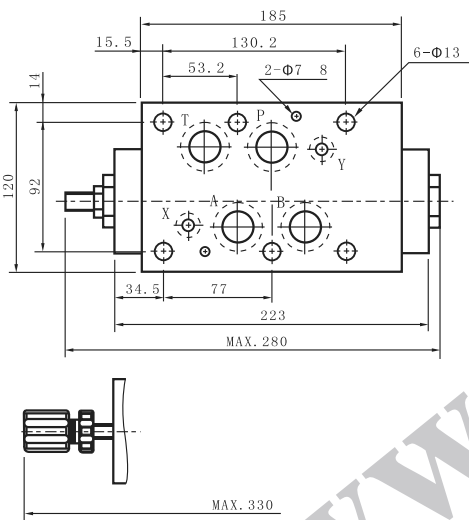
Dimensions

Unit: mm

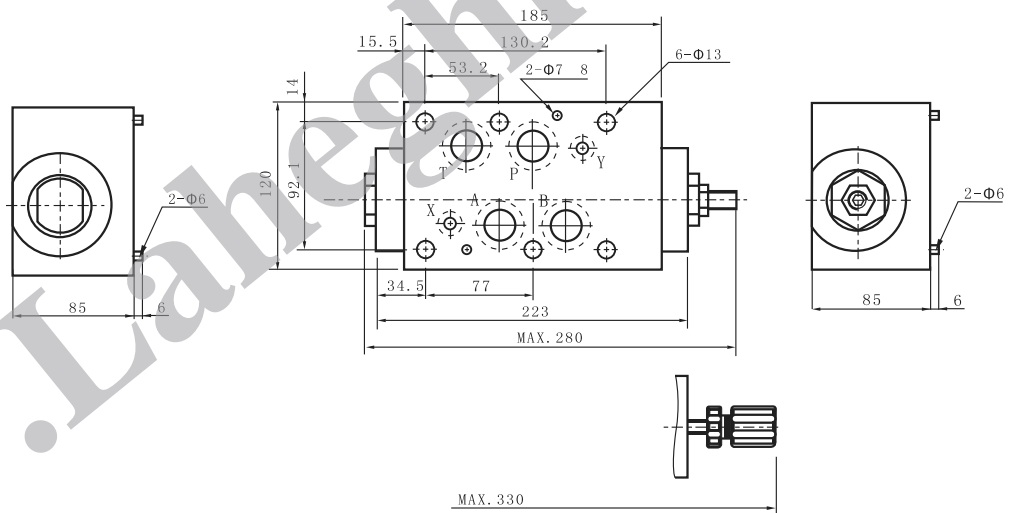
MTCV-04W



MTCV-06A



MTCV-06B



MTCV-06W

