

MST series modular solenoid operated throttle valves are used to restrict flow in one direction while allowing free-flow in the opposite direction as check valves. In the meanwhile, it can use solenoid valve to open circuit.



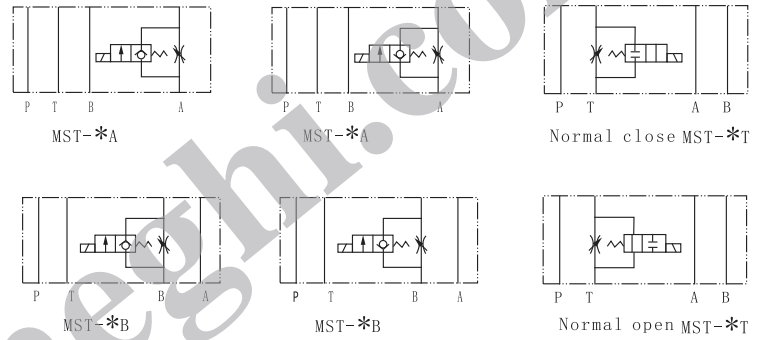
Ordering details

MST	02	A	I	A230	10
Sort	Nominal size	Pilot oil port	Oil control	Input voltage	Design code
Modular solenoid operated throttle valve	02:NG6 Cetop3 03:NG10 Cetop5	A:A port B:B port	No code: Meter out I: Meter in	D12:DC12 D24:DC24 A115:AC115 A230:AC230	10

Technical specification

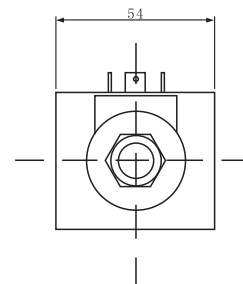
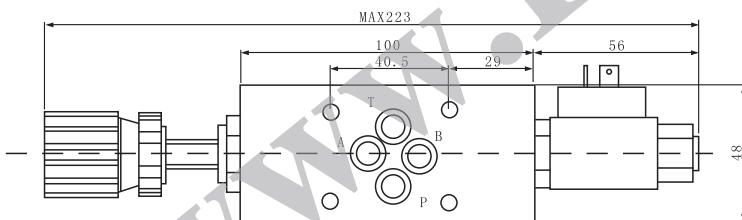
Model	MST-02	MST-03
Max.flow rate (l/min)	20	45
Working pressure (MPa)	25	
Weight(kgs)	1.5	2.8

Symbol list



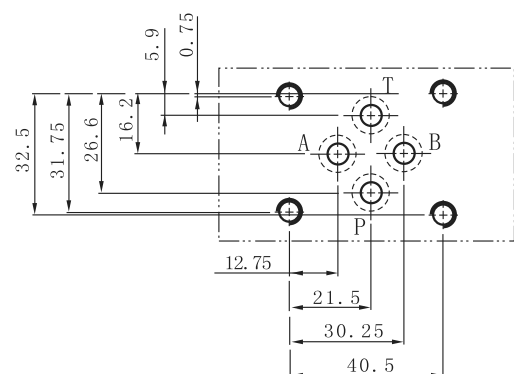
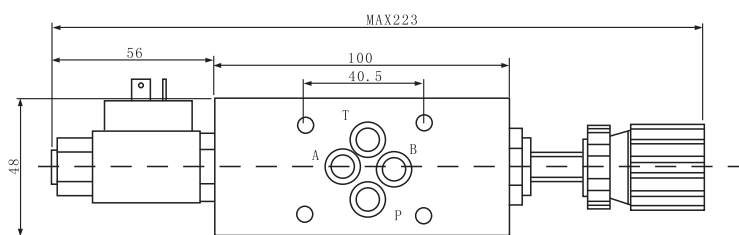
Dimensions

MST-02A



Unit: mm

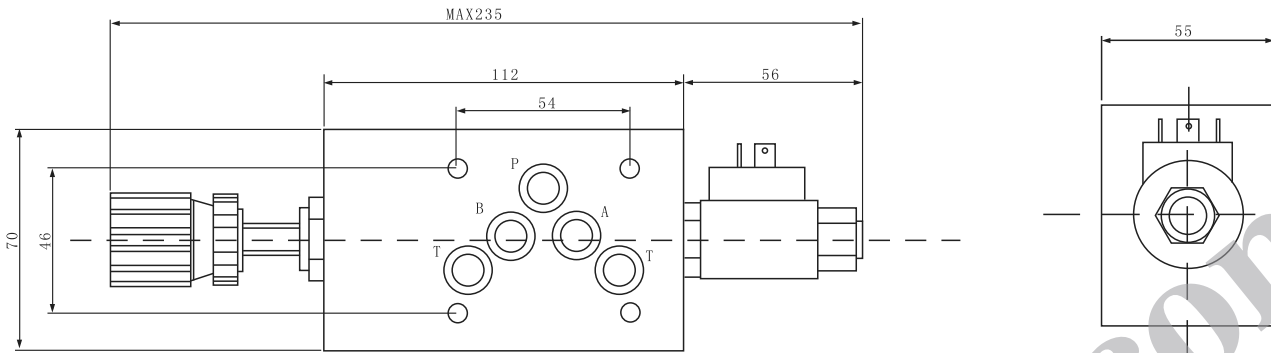
MSB-02B



Dimensions

Unit: mm

MST-03A



MST-03B

