

MC series modular check valves allow free flow in one direction and block flow in the counter direction.



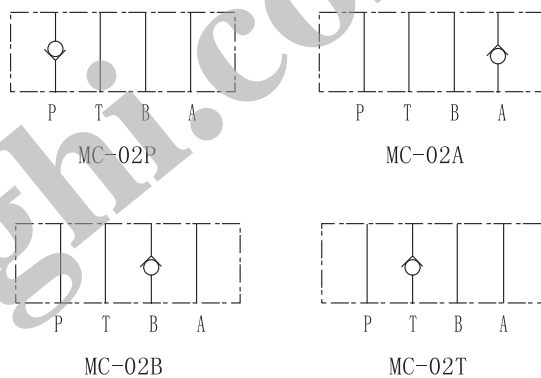
**Ordering details**

MC	02	P	05	20
Sort	Nominal size	Pilot oil port	Kracking pressure	Design code
Modular check valve	02:NG6 Cetop3 03:NG10 Cetop5 04:NG16 Cetop7 06:NG22 Cetop8	P:P port A:A port B:B port T:T port	05:0.35bar 50:3.5bar	20

**Technical specification**

Model	MC-02	MC-03	MC-04	MC-06
Max.flow rate (l/min)	35	70	300	450
Working pressure (MPa)	25			
Weight(kgs)	1	2.5	4.8	10.5

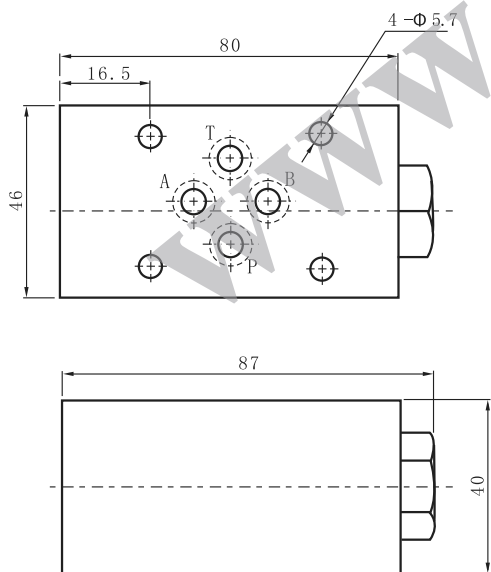
**Symbol list**



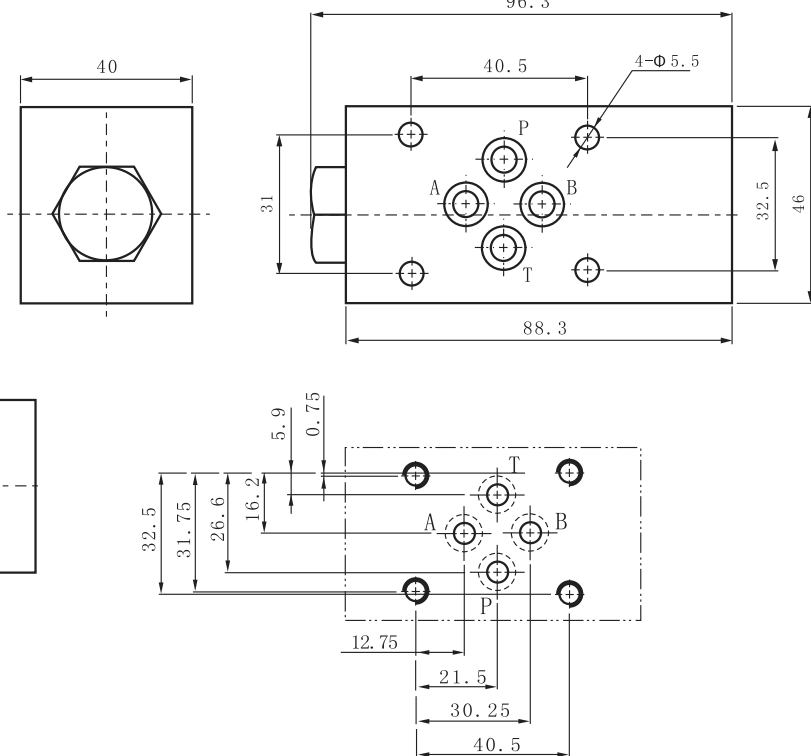
**Dimensions**

Unit: mm

MC-02P/T/B



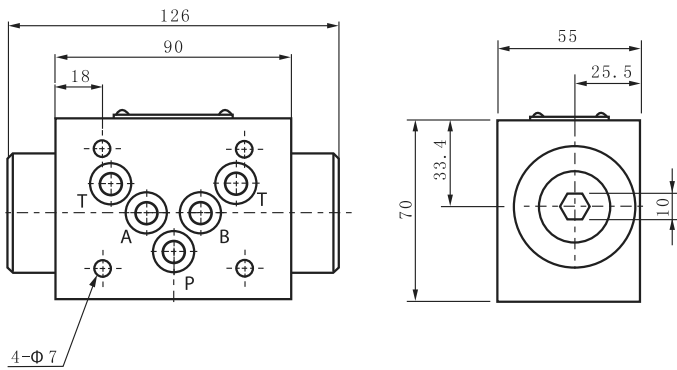
MC-02A



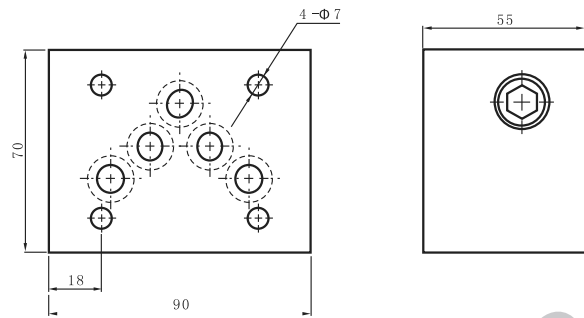
Dimensions

Unit: mm

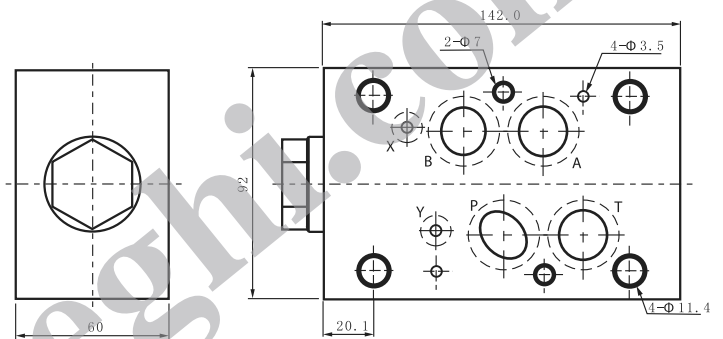
MC-03A/B



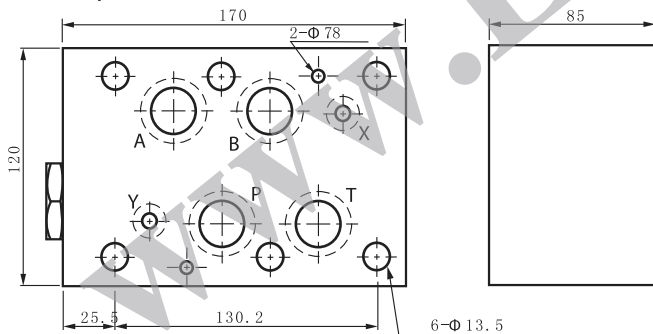
MC-03P/T



MC-04P



MC-06P/T



MC-06A/B

