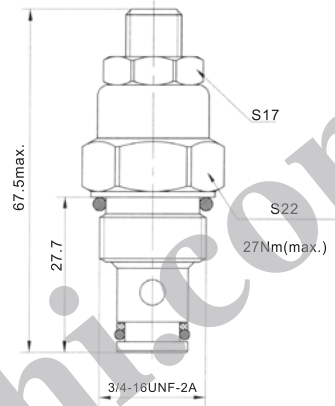


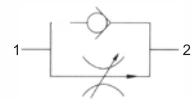
LTC06-00-00



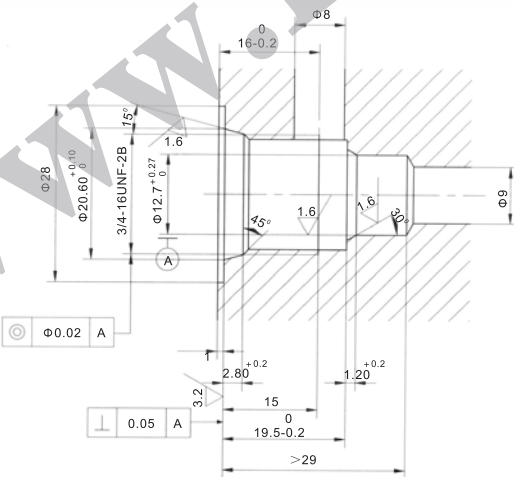
Technical specification

- Max. working pressure: 240bar
- Max. flow rate: 30l/min (13.5bar) open full
- Adjustment stroke: 2.5 turns (open full)
- Internal leakage:  $\leq 0.3\text{ml/min}$  (closed)
- Operating temperature:  $-30\sim+110^{\circ}\text{C}$
- Oil clearness: 25u m or better

Symbol

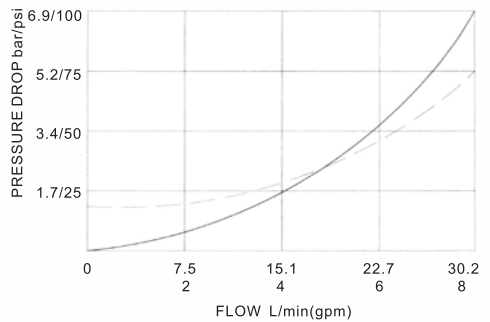


Cavity dimensions



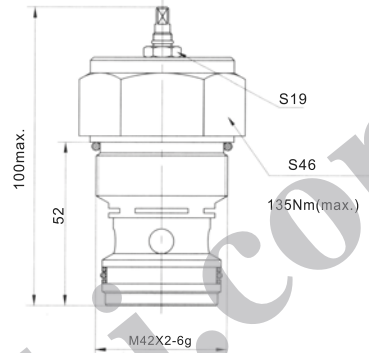
Pressure drop-flow curve

32 cST Oil/45°C  
P—T —  
T—P —





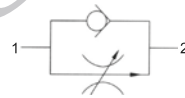
**LTC16-00-00**



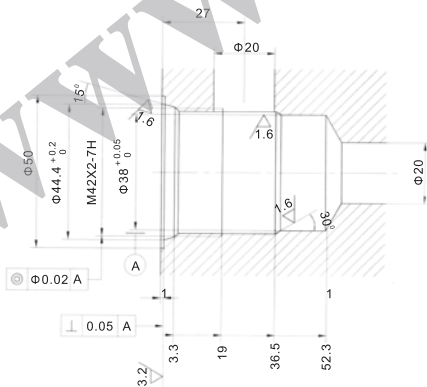
**Technical specification**

- Max. working pressure: 240bar
- Max. flow rate: 100l/min (13.5bar) open full
- Adjustment stroke: 5 turns (open full)
- Internal leakage: ≤0.3ml/min (closed)
- Operating temperature: -30~+110°C
- Oil cleanliness: 25u m or better

**Symbol**



**Cavity dimensions**



**Pressure drop-flow curve**

32 cST Oil/45°C  
 P—T ———  
 T—P ———

