



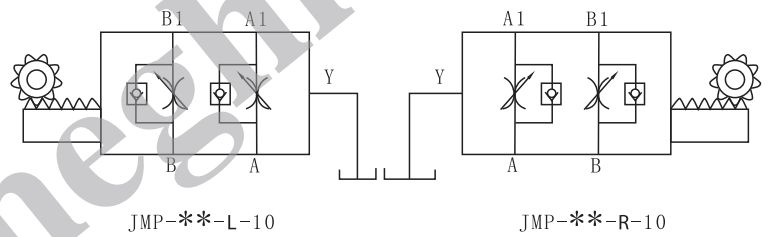
Ordering details

JMP	3/4	L	10
Sort	Max. flow	Handwheel position	Design code
Mechanical operated throttle check valve	3/4:ZG3/4" 1/2:ZG1/2" 3/8:ZG3/8"	L:Left R:Right	10

Technical specification

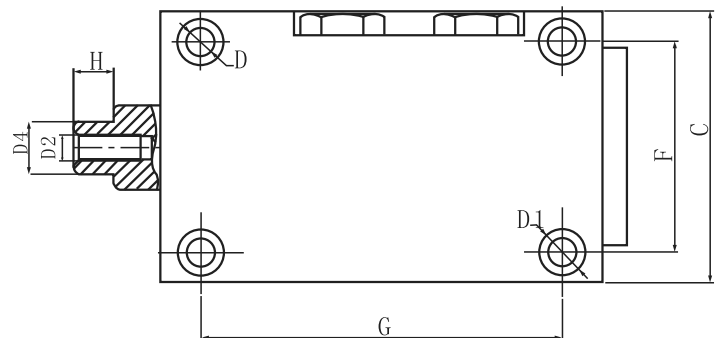
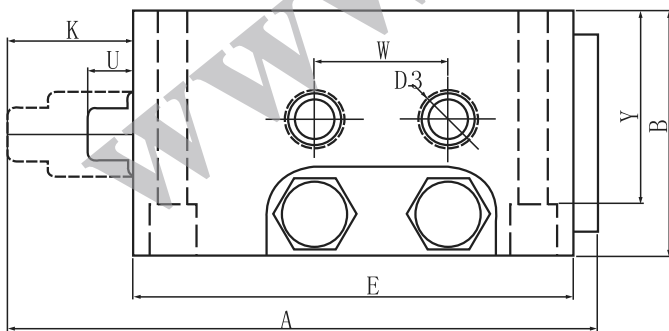
Model	JMP3/8	JMP1/2	JMP3/4
Max.flow rate (l/min)	200	250	300
Internal leakage	<100ml/min		
Working pressure (MPa)	31.5		
Weight(kgs)	6	12	

Symbol



Dimensions

Unit: mm



Mode	A	B	C	D	D1	D2	D3	D4	E	F	G	H	K	U	Y	W
JMP3/4	207	93	103	φ 11	φ 17.5	M10	ZG3/4	φ <sup>20</sup> <sub>+0.05</sub>	165	80	135	15	47	17	73	50
JMP1/2	207	93	103	φ11	φ17.5	M10	ZG1/2	φ <sup>20</sup> <sub>+0.05</sub>	165	80	135	15	47	17	73	50
JMP3/8	138	82	82	φ9	φ14	M8	ZG3/8	φ <sup>18</sup> <sub>+0.05</sub>	120	62	76	10	27	12	72	39