

EBG series proportional pilot operated relief valves can change system pressure continuously by electrical input signal with safety valve.

Ordering details

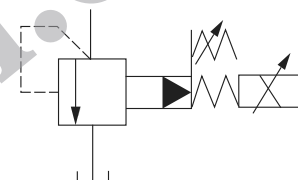


| ED | G | 01 | 2 | L | 10 |
|--|---------------------|--------------------|---------------------------|--------------------|-------------|
| Sort | Mounting type | Nominal size | Pressure adjustment range | Handwheel position | Design code |
| Proportional pilot operated relief valve | G:Subplate mounting | 03:NG10 06:NG20 | 2:2~160bar 3:3~250bar | L:Left R:Right | 10 |

Technical specification

| Model | EBG-03 | | EBG-06 | |
|---------------------------------|-----------------------------|-------|--------|-------|
| | Max. working pressure (MPa) | 25 | | 25 |
| Max. flow rate (l/min) | 100 | | 200 | |
| Pressure adjustment range (bar) | 2~160 | 3~250 | 2~160 | 3~250 |
| Rated current (mA) | 700 | 820 | 750 | 800 |
| Coil resistance (Ω) | 10 | | 10 | |
| Hysteresis | <2% | | <2% | |
| Repeatability | 1% | | 1% | |
| Weight(kgs) | 5.6 | | 6.3 | |

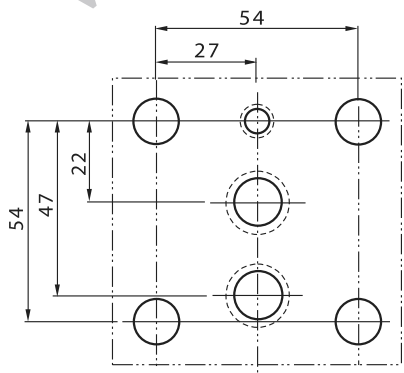
Symbol



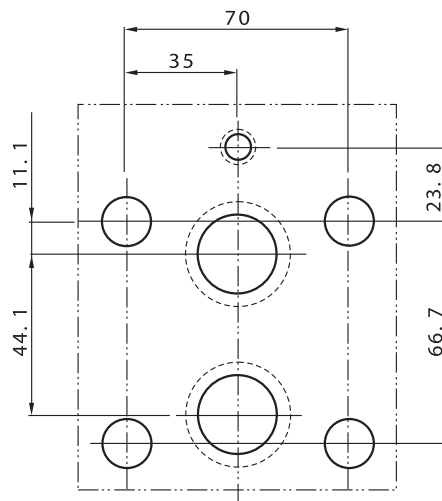
Mounting size

Unit: mm

EBG-03

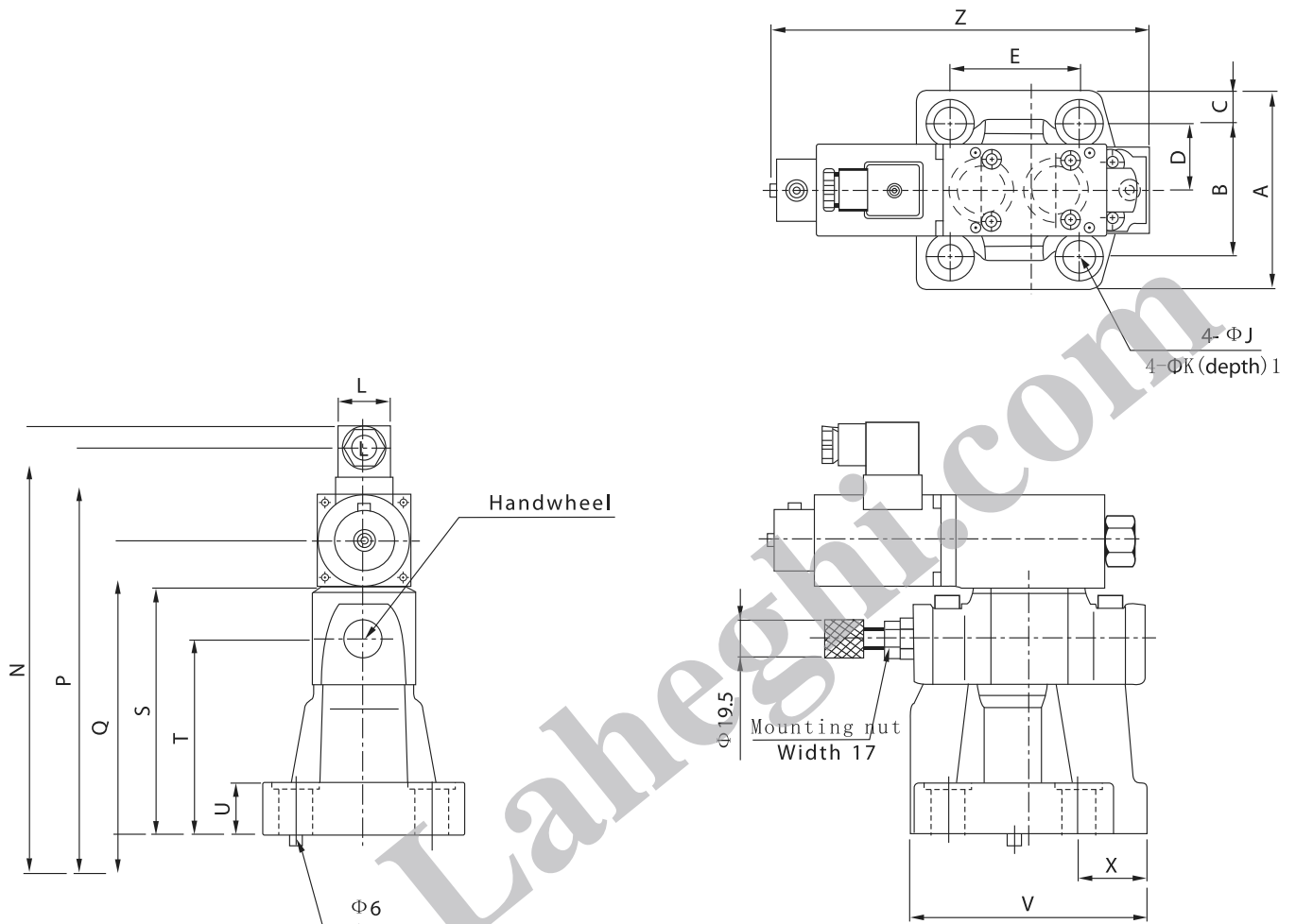


EBG-06



Dimensions

Unit: mm



| Model | A | B | C | D | E | J | K | L | N | P | Q | S | T | U | V | X | Z |
|--------|-----|------|------|------|------|------|----|----|-------|-------|-----|-----|-----|----|-----|------|-----|
| EB-G03 | 76 | 53.8 | 11.1 | 26.9 | 53.8 | 13.5 | 21 | 48 | 220.5 | 206.8 | 157 | 132 | 104 | 22 | 106 | 26 | 197 |
| EB-G06 | 104 | 70 | 17 | 35 | 66.7 | 17.5 | 25 | 48 | 220.5 | 206.8 | 157 | 132 | 104 | 27 | 123 | 36.5 | 197 |