

## Stainless Steel Solenoid Valve S6030 Series (G3/8", G1/2", G3/4", G1", G1 1/4", G1 1/2", G2")

### GENERAL FEATURES

- Wide pressure range, a flow rate and orifice options.
- Solenoid valves are used with the filter.
- Solenoid valves can be mounted in any position without affecting its operation.
- Coil to be used in a vertical position.
- Stainless steel solenoid valve
- S6030 TORK Series Stainless Steel Valve 2/2 way normally close and pilot operated
- Working temperature: -10 °C / +80 °C
- Minimum pressure is 0.35 and 0.5 bar

### ELECTRICAL CHARACTERISTICS

|                          |   |
|--------------------------|---|
| Continuous Duty          | : ED %100   |
| Coil Insulation Class    | : H (180°C)(IEC 85)   |
| Coil Impregnation        | : Polyester Fiber Glass   |
| Ambient Temperature      | : -10°C, +60°C  |
| Protection Degree        | : IP65 (ISO 60529) On request; IP68   |
| Electric Plug Connection | : DIN 46340 3-Poles Connector (DIN 43650)   |
| Connector Specification  | : ISO 4400 / EN 175301-803 Form A,<br>Spade Plug (Cable Ø6-8 mm)  |
| Electrical Safety        | : IEC 335   |
| Standard Voltages        | : AC 12V 15VA, 24V 15VA, 48V 15VA,<br>110V 15VA, 230V 15VA, 230V 24VA<br>DC 12V 18W, 24V 18W, 48V 18W, 110V 18W |

On request other voltages

|                    |                              |
|--------------------|------------------------------|
| Voltages Tolerance | : AC -15%, +10% DC -5%, +10% |
| Frequency          | : 50 Hz (60 Hz...)           |

On request; Connector with LED, PWM Socket Specify coil voltage with order

### MATERIALS IN CONTACT WITH FLUID

|                           |                               |
|---------------------------|-------------------------------|
| Body                      | : Stainless Steel             |
| Internal Parts            | : Stainless Steel             |
| Sealing                   | : NBR On request; EPDM, VITON |
| Shading Ring              | : Copper (EN 12735-1)         |
| Seats, Core Tube, Springs | : Stainless Steel             |

### OPTIONS

- Female connection: BSP; (On request NPT)
- On request Atex (exproof) coil.

### TECHNICAL FEATURES

|                |   |
|----------------|---|
| Max. Viscosity | : 5°E (-37cST veya mm <sup>2</sup> /s)                                |
| Response Time  | : Opening time : 400 ms - 1600 ms<br>Closing Time : 1000 ms - 2000 ms |

### SEALS FEATURES

|       |                  |
|-------|------------------|
| NBR   | : -10°C...+80°C  |
| EPDM  | : -10°C...+130°C |
| VITON | : -10°C...+160°C |

### STANDARDS

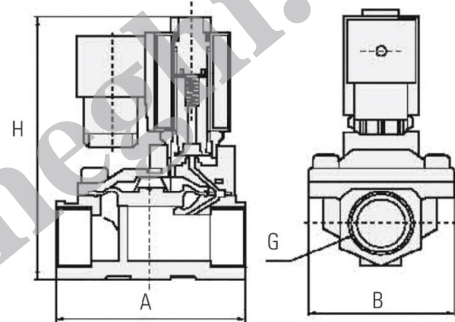
• Standard tube connection G (BSP) (ISO 228-1) and other tube connections (NPT (ANSI 120.3)) are available on request.

• TORK solenoid valves 97/23/EC, are available for pressure equipment directive (PED) and 2006/95/ECC low voltage directive (LVD).

**Not:** Please look catalogues for more details



**NORMALLY CLOSED**  
**2/2 WAY**  
**PILOT OPERATED**  
**ΔP=0,5**



| Dimensions (mm) |     |     |     |
|-----------------|-----|-----|-----|
| G               | A   | B   | H   |
| 3/8"            | 66  | 48  | 112 |
| 1/2"            | 66  | 48  | 112 |
| 3/4"            | 75  | 58  | 118 |
| 1"              | 96  | 70  | 131 |
| 1 1/4"          | 131 | 96  | 146 |
| 1 1/2"          | 131 | 96  | 146 |
| 2"              | 165 | 120 | 167 |

| Coils         | Nominal Values | Cold/Hot | Inrush | Holding | Current (A) | Surface Temperature (°C) |
|---------------|----------------|----------|--------|---------|-------------|--------------------------|
| C40012VDC18W  | 12VDC 18W      | COLD     | 19,56  | 19,56   | 1,63        | 20                       |
|               |                | HOT      | 14,52  | 14,52   | 1,21        | 106                      |
| C40024VDC18W  | 24VDC 18W      | COLD     | 20,88  | 20,88   | 0,87        | 25                       |
|               |                | HOT      | 14,64  | 14,64   | 0,61        | 116                      |
| C40110VDC18W  | 110VDC 18W     | COLD     | 19,96  | 19,96   | 0,18        | 23                       |
|               |                | HOT      | 13,56  | 13,56   | 0,123       | 115                      |
| C40012VAC15VA | 12VAC 15VA     | COLD     | 23,81  | 16,43   | 1,3         | 25                       |
|               |                | HOT      | -      | 15,86   | 1,262       | 79                       |
| C40024VAC15VA | 24VAC 15VA     | COLD     | 25,82  | 15,02   | 0,62        | 22                       |
|               |                | HOT      | -      | 13,91   | 0,57        | 81                       |
| C40110VAC15VA | 110VAC 15VA    | COLD     | 30,65  | 15,17   | 0,137       | 24                       |
|               |                | HOT      | -      | 13,96   | 0,126       | 80                       |
| C40230VAC15VA | 230VAC 15VA    | COLD     | 31,4   | 15,64   | 0,068       | 25                       |
|               |                | HOT      | -      | 14,41   | 0,063       | 80                       |
| C40230VAC24VA | 230VAC 24VA    | COLD     | 45,1   | 23,92   | 0,0154      | 23                       |
|               |                | HOT      | -      | 21,62   | 0,0154      | 100                      |

| Solenoid Valve Symbol | Valve Type/Order No | Connection Size | Orifice Size | Pressure min/max |     | Kv    | Seal    |       |      | Weight |
|-----------------------|---------------------|-----------------|--------------|------------------|-----|-------|---------|-------|------|--------|
|                       |                     |                 |              | Bar              | Bar |       | NBR     | Viton | EPDM |        |
|                       | S6030               | G               | mm           | Bar              | Bar | Lt/dk | Opsiyon |       |      | kg     |
|                       |                     |                 |              |                  |     |       | NBR     | Viton | EPDM |        |
|                       | S6030.02            | 3/8"            | 13           | 0,5              | 16  | 65    | ✓       | ✓     | ✓    | 1,08   |
|                       | S6030.03            | 1/2"            | 13           | 0,5              | 16  | 65    | ✓       | ✓     | ✓    | 1,04   |
|                       | S6030.04            | 3/4"            | 20           | 0,5              | 16  | 108   | ✓       | ✓     | ✓    | 1,06   |
|                       | S6030.05            | 1"              | 25           | 0,5              | 16  | 172   | ✓       | ✓     | ✓    | 1,20   |
|                       | S6030.06            | 1 1/4"          | 32           | 0,5              | 16  | 315   | ✓       | ✓     | ✓    | 3,45   |
|                       | S6030.07            | 1 1/2"          | 40           | 0,5              | 16  | 430   | ✓       | ✓     | ✓    | 3,35   |
| S6030.08              | 2"                  | 50              | 0,5          | 16               | 690 | ✓     | ✓       | ✓     | 3,78 |        |