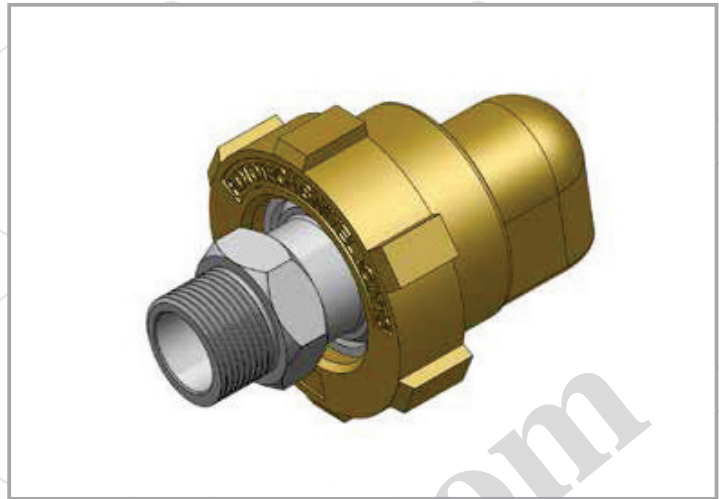


C SERIES BALL JOINT

Water, Chemicals, Steam, Hydracarbons
1/2" (DN15) - 2" (DN50)

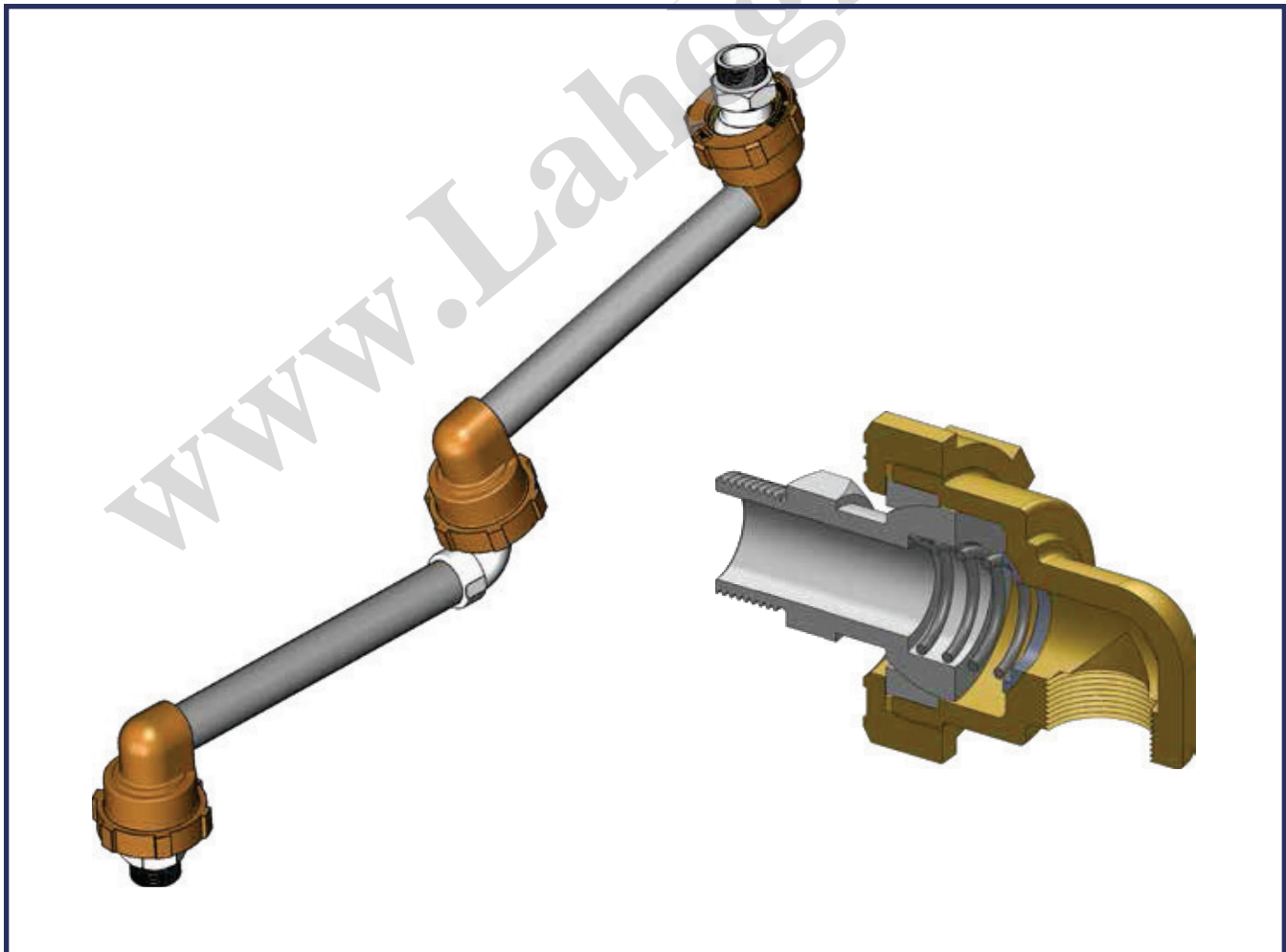
- Single flow ,
- Swiveling motion 360°
- Total angular flex 15° rotation
- Male or female thread connection
- Easy replacement of sealing parts
- For poor water quality
- Special sealing components (According to fluid)
- Carbon steel or stainless steel shaft
- Brass housing

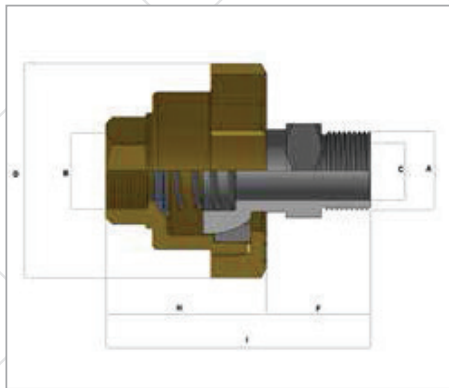
** For further information please contact
Rototech or local representative.



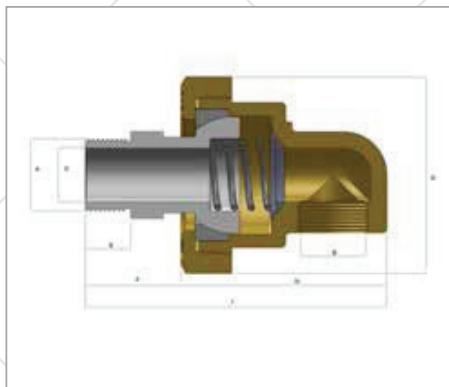
Working Conditions

Max. Water Pressure	:	20 bar for 1/2" - 2"
Max. Water Temperature	:	200°C

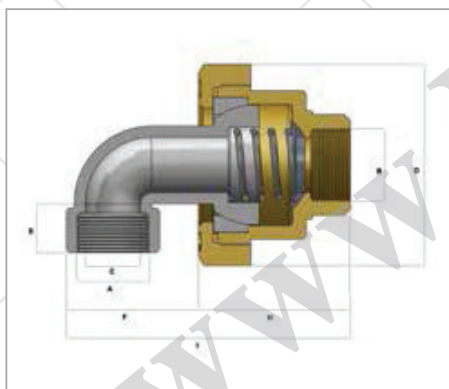



C SERIES BALL JOINT - TYPE 1

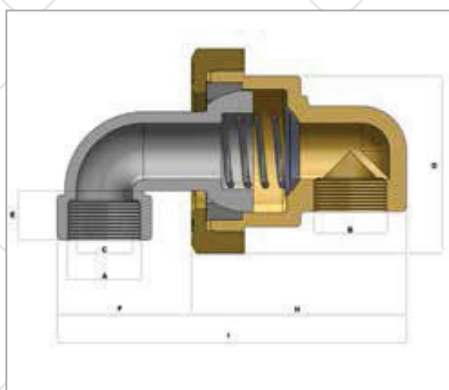
A Size	Code	B	C	D	E	F	H	I	
3/8"	DN10	CT110	3/8"	10	52	14,50	27,70	42,00	69,70
1/2"	DN15	CT115	1/2"	15	66	16	33,86	54,00	87,86
3/4"	DN20	CT120	3/4"	20	84	16	34,80	64,50	99,30
1"	DN25	CT125	1"	25	91	21	44,43	68,50	112,93
1 1/4"	DN32	CT132	1 1/4"	32	100	21	48,60	76,50	125,10
1 1/2"	DN40	CT140	1 1/2"	40	112	22	56,20	79,00	135,20
2"	DN50	CT150	2"	50	128	22	63,10	88,50	151,60


C SERIES BALL JOINT - TYPE 2

A Size	Code	B	C	D	E	F	H	I	
3/8"	DN10	CT210	3/8"	10	52	14,50	27,70	55,00	82,70
1/2"	DN15	CT215	1/2"	15	66	16	33,86	70,50	104,40
3/4"	DN20	CT220	3/4"	20	84	16	34,80	79,60	119,30
1"	DN25	CT225	1"	25	91	21	44,43	103,06	139,70
1 1/4"	DN32	CT232	1 1/4"	32	100	21	48,60	118,50	158,90
1 1/2"	DN40	CT240	1 1/2"	40	112	22	56,20	123,67	170,00
2"	DN50	CT250	2"	50	128	22	63,10	150,38	202,90



A Size	Code	B	C	D	E	F	H	I	
3/8"	DN10	CT310	3/8"	10	52	14	32,95	42,00	74,90
1/2"	DN15	CT315	1/2"	15	66	19	41,47	52,48	93,90
3/4"	DN20	CT320	3/4"	20	84	19	48,29	64,50	112,80
1"	DN25	CT325	1"	25	91	22	59,73	68,50	128,20
1 1/4"	DN32	CT332	1 1/4"	32	100	24	67,44	76,50	143,90
1 1/2"	DN40	CT340	1 1/2"	40	112	26	89,41	68,59	158,00
2"	DN50	CT350	2"	50	128	28	95,89	88,50	184,40


C SERIES BALL JOINT - TYPE 4

A Size	Code	B	C	D	E	F	H	I	
3/8"	DN10	CT410	3/8"	10	52	14,50	27,70	55,00	87,90
1/2"	DN15	CT415	1/2"	15	66	16	33,86	70,50	93,90
3/4"	DN20	CT420	3/4"	20	84	16	34,80	84,50	112,80
1"	DN25	CT425	1"	25	91	21	44,43	95,50	128,20
1 1/4"	DN32	CT432	1 1/4"	32	100	21	48,60	110,50	143,90
1 1/2"	DN40	CT440	1 1/2"	40	112	22	56,20	114,00	158,00
2"	DN50	CT450	2"	50	128	22	63,10	140,00	184,40



Rototech
ROTARY UNION • SWIVEL JOINTS

