

9000S HO SERIES ROTARY JOINTS



STEAM, HOT WATER
 1" (DN25) - 4" (DN100)

- Mono & duoflow
- Nodular casting body
- Carbon graphite sealing parts
- Stainless steel shaft & flange
- Stationary or rotating siphon system

*** For further information please contact Rototech or local representative.

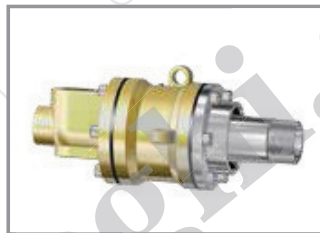
** No dry run!



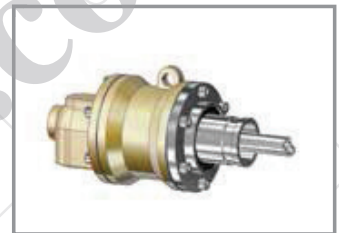
Type 1



Type 2



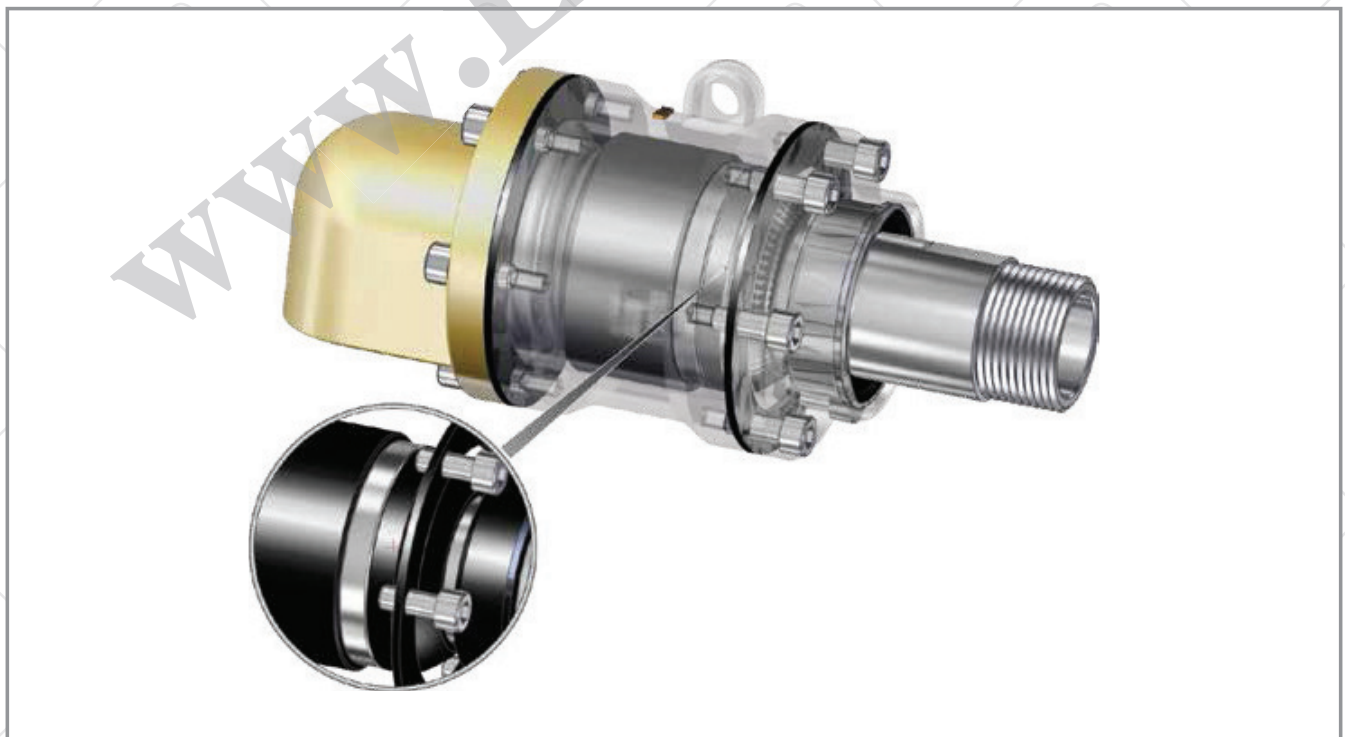
Type 3



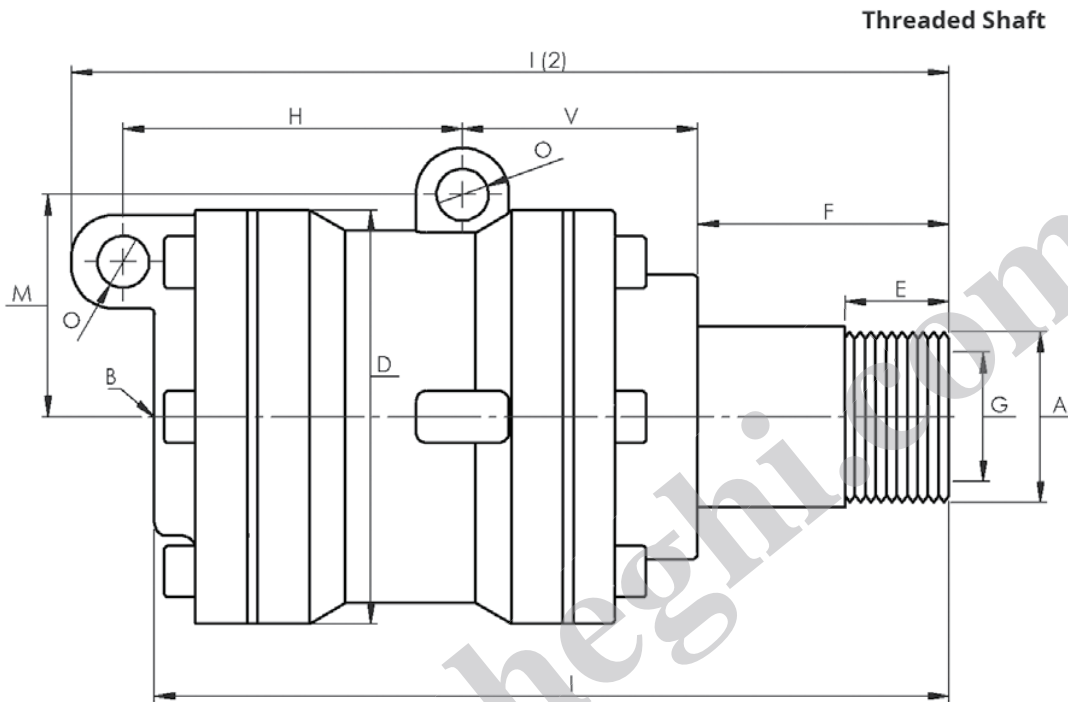
Type 4

Working Conditions

Max. Steam Pressure	:	10 Bar
Max. Steam Temperature	:	300 °C
Max. Speed	:	250 rpm/min



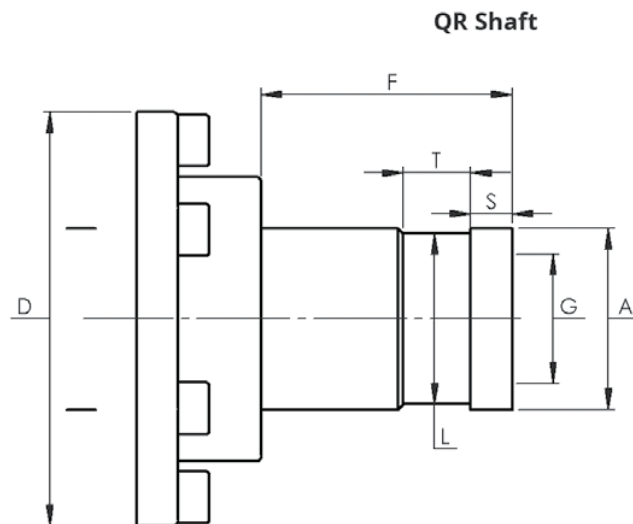
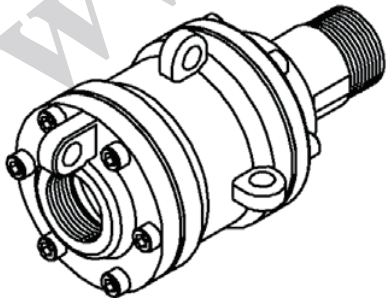
9000 S HO Series (Type 1) 1" (DN25) - 4" (DN50) Single Flow Rotary Joints



Single Flow Rotary Joints

Single flow joints are used when supply and return lines are connected to opposite sides of the cylinder.

* Using see page 20

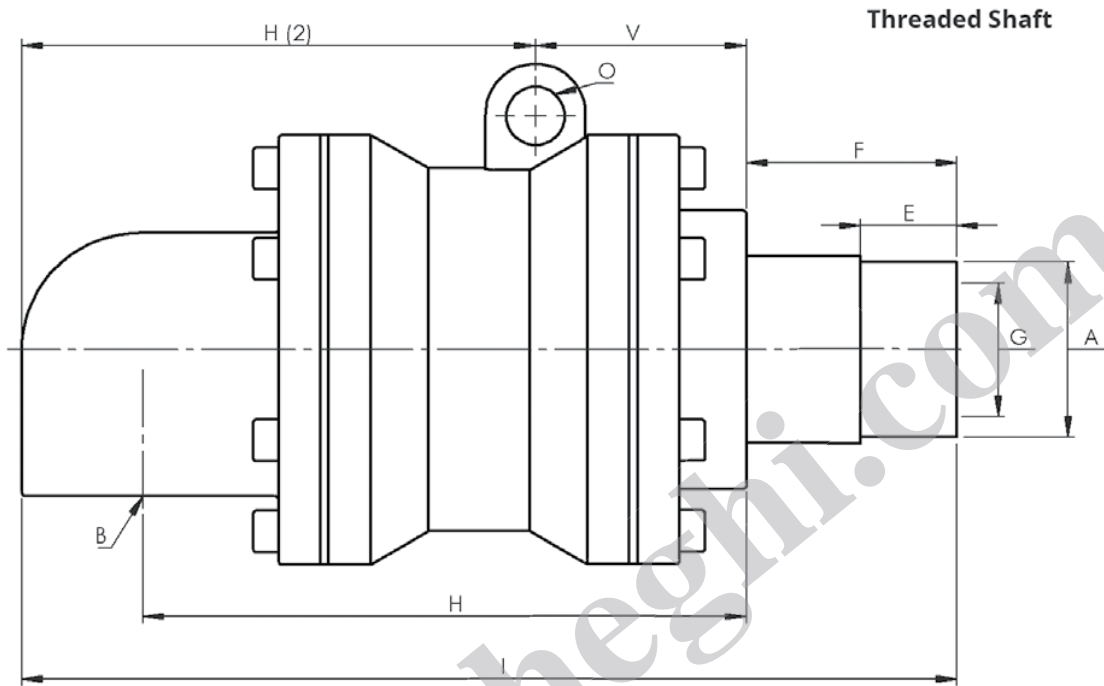


* Custom sized manufacturing are available.

9000S HO SERIES ROTARY JOINTS - TYPE1 SINGLE FLOW

Size DN	B	A	Model No	G	D	E	F	V	H	M	S	T	L	O	I(1)	I(2)	Kg	
25	1"	1" NPT - RH	S9101-1110-0000-10	25	80	20	48	46	66	43				10	153	169	2,50	
		1" NPT - LH	S9101-1110-0000-20															
		1" QR	S9101-1110-0000-70	25	80		48	46	66	43	8	13	33	10	153	169	2,50	
		1" BSP - RH	S9101-1210-0000-30	25	80	20	48	46	66	43					10	153	169	2,50
		1" BSP - LH	S9101-1210-0000-40															
				1" QR	S9101-1210-0000-70	25	80		48	46	66	43	8	13	33	10	153	169
32	1 1/4"	1 1/4" NPT - RH	S9121-1112-0000-10	32	103	23	66	51	78	56				14	172	190	4,00	
		1 1/4" NPT - LH	S9121-1112-0000-20															
		1 1/4" QR	S9121-1112-0000-70	32	103	23	66	51	78	56	8	13	43	14	172	190	4,00	
		1 1/4" BSP - RH	S9121-1212-0000-30	32	103	23	66	51	78	56					14	172	190	4,00
		1 1/4" BSP - LH	S9121-1212-0000-40															
				1 1/4" QR	S9121-1212-0000-70	32	103		66	51	78	56	8	13	43	14	172	190
40	1 1/2"	1 1/2" NPT - RH	S9151-1115-0000-10	40	112	23	72	52	89	64				18	185	208	4,80	
		1 1/2" NPT - LH	S9151-1115-0000-20															
		1 1/2" QR	S9151-1115-0000-70	40	112	23	72	52	89	64	10	16	48	18	185	208	4,80	
		1 1/2" BSP - RH	S9151-1215-0000-30	40	112	23	72	52	89	64					18	185	208	4,80
		1 1/2" BSP - LH	S9151-1215-0000-40															
				1 1/2" QR	S9151-1215-0000-70	40	112		72	52	89	64	10	16	48	18	185	208
50	2"	2" NPT - RH	S9201-1120-0000-10	50	124	25	56	56	101	69				18	199	225	6,10	
		2" NPT - LH	S9201-1120-0000-20															
		2" QR	S9201-1120-0000-70	50	124		56	56	101	69	10	16	63	18	199	225	6,10	
		2" BSP - RH	S9201-1220-0000-30	50	124	25	56	56	101	69					18	199	225	6,10
		2" BSP - LH	S9201-1220-0000-40															
				2" QR	S9201-1220-0000-70	50	124		56	56	101	69	10	16	63	18	199	225
65	2 1/2"	2 1/2" NPT - RH	S9251-1125-0000-10	62	170	25	69	70	129	88				22	255	286	16,00	
		2 1/2" NPT - LH	S9251-1125-0000-20															
		2 1/2" QR	S9251-1225-0000-30	62	170		69	70	129	88	19	29	69	22	255	286	16,00	
		2 1/2" BSP - RH	S9251-1125-0000-70	62	170	25	69	70	129	88					22	255	286	16,00
		2 1/2" BSP - LH	S9251-1225-0000-40															
				2 1/2" QR	S9251-1225-0000-70	62	170		69	70	129	88	19	29	69	22	255	286
80	3"	3" NPT - RH	S9301-1130-0000-10	75	190	30	79	87	130	105				28	278	308	21,10	
		3" NPT - LH	S9301-1130-0000-20															
		3" QR	S9301-1130-0000-70	75	190		79	87	130	105	22	31	84	28	278	308	21,10	
		3" BSP - RH	S9301-1230-0000-30	75	190	30	79	87	130	105					28	278	308	21,10
		3" BSP - LH	S9301-1230-0000-40															
				3" QR	S9301-1230-0000-70	75	190		79	87	130	105	22	31	84	28	278	308
100	4"	4" NPT - RH	S9401-1140-0000-10	100	240	35	123	94	166	131				28	366	398	40,00	
		4" NPT - LH	S9401-1140-0000-20															
		4" QR	S9401-1140-0000-70	100	240		123	94	166	131	12	22	110	28	366	398	40,00	
		4" BSP - RH	S9401-1240-0000-30	100	240	35	123	94	166	131					28	366	398	40,00
		4" BSP - LH	S9401-1240-0000-40															
				4" QR	S9401-1240-0000-70	100	240		123	94	166	131	12	22	110	28	366	398

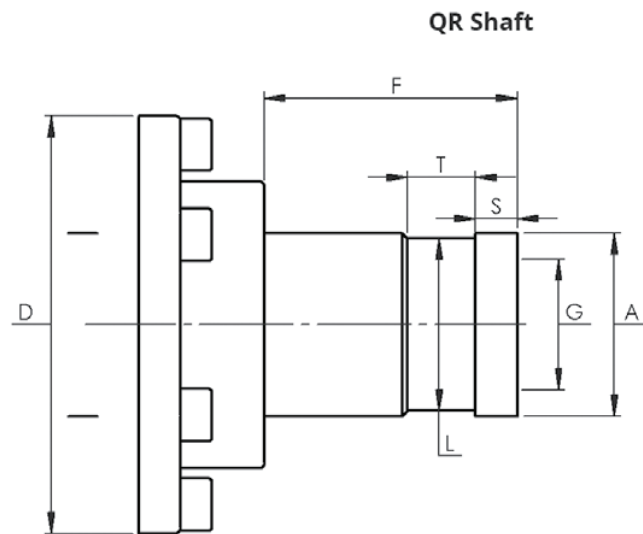
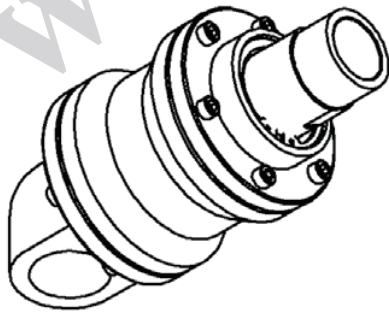
9000 S HO Series (Type 2) 1" (DN25) - 4" (DN100) Single Flow Rotary Joints



Single Flow Rotary Joints

Single flow joints are used when supply and return lines are connected to opposite sides of the cylinder.

* Using see page 20

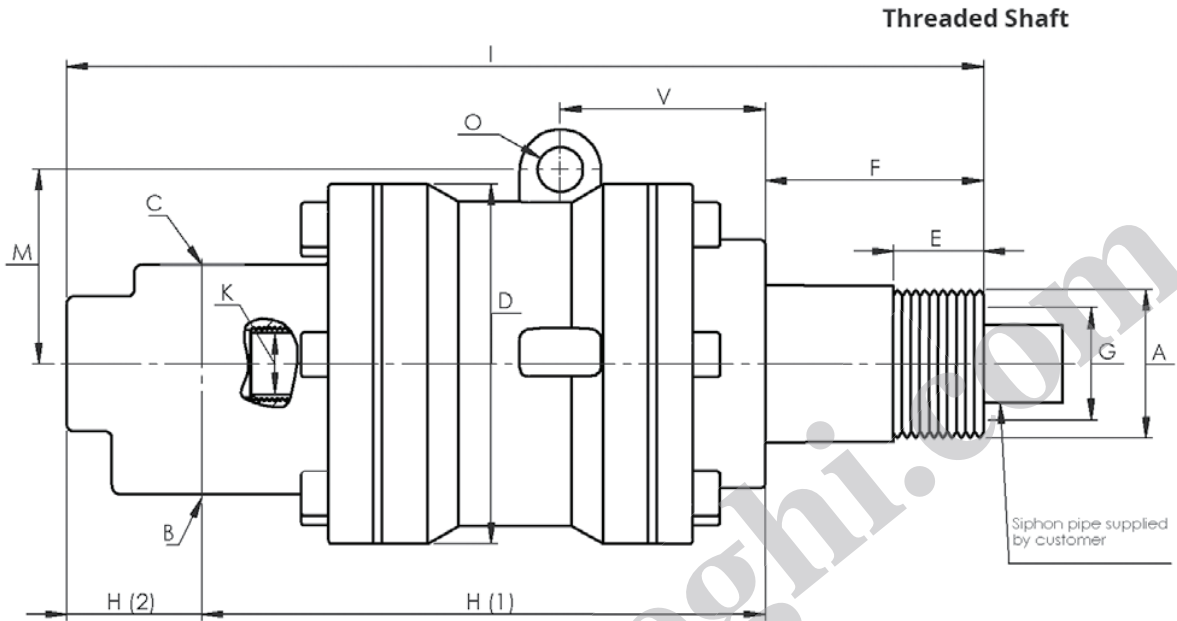


* Custom sized manufacturing are available.

9000S HO SERIES ROTARY JOINTS - SINGLE FLOW TYPE 2

Size DN	B	A	Model No	G	D	E	F	V	H	H(2)	M	S	T	L	O	I	Kg
25	1"	1" NPT - RH	S9101-2110-0000-10	25	80	20	48	46	125	104	43				10	197	2,50
		1" NPT - LH	S9101-2110-0000-20														
		1" QR	S9101-2110-0000-70	25	80	20	48	46	125	104	43	8	13	33	10	197	2,50
		1" BSP - RH	S9101-2210-0000-30														
		1" BSP - LH	S9101-2210-0000-40														
		1" QR	S9101-2210-0000-70														
32	1 1/4"	1 1/4" NPT - RH	S9121-2112-0000-10	32	103	23	66	51	145	123	56				14	224	4,00
		1 1/4" NPT - LH	S9121-2112-0000-20														
		1 1/4" QR	S9121-2112-0000-70	32	103	23	66	51	145	123	56	8	13	43	14	224	4,00
		1 1/4" BSP - RH	S9121-2212-0000-30														
		1 1/4" BSP - LH	S9121-2212-0000-40														
		1 1/4" QR	S9121-2212-0000-70														
40	1 1/2"	1 1/2" NPT - RH	S9151-2115-0000-10	40	112	23	72	52	154	137	64				18	243	5,00
		1 1/2" NPT - LH	S9151-2115-0000-20														
		1 1/2" QR	S9151-2115-0000-70	40	112	23	72	52	154	137	64	10	16	48	18	243	5,00
		1 1/2" BSP - RH	S9151-2215-0000-30														
		1 1/2" BSP - LH	S9151-2215-0000-40														
		1 1/2" QR	S9151-2215-0000-70														
50	2"	2" NPT - RH	S9201-2120-0000-10	50	124	25	56	56	173	118	69				18	271	7,00
		2" NPT - LH	S9201-2120-0000-20														
		2" QR	S9201-2120-0000-70	50	124	25	56	56	173	118	69	10	16	63	18	271	7,00
		2" BSP - RH	S9201-2220-0000-30														
		2" BSP - LH	S9201-2220-0000-40														
		2" QR	S9201-2220-0000-70														
65	2 1/2"	2 1/2" NPT - RH	S9251-2125-0000-10	62	170	25	69	70	231	212	88				22	348	18,00
		2 1/2" NPT - LH	S9251-2125-0000-20														
		2 1/2" QR	S9251-2125-0000-70	62	170	25	69	70	231	212	88	19	29	69	22	348	18,00
		2 1/2" BSP - RH	S9251-2225-0000-30														
		2 1/2" BSP - LH	S9251-2225-0000-40														
		2 1/2" QR	S9251-2225-0000-70														
80	3"	3" NPT - RH	S9301-2130-0000-10	75	190	30	79	87	246	226	105				28	405	24,50
		3" NPT - LH	S9301-2130-0000-20														
		3" QR	S9301-2130-0000-70	75	190	30	79	87	246	226	105	22	31	84	28	405	24,50
		3" BSP - RH	S9301-2230-0000-30														
		3" BSP - LH	S9301-2230-0000-40														
		3" QR	S9301-2230-0000-70														
100	4"	4" NPT - RH	S9401-2140-0000-10	100	240	35	123	94	309	295	131				28	508	45,50
		4" NPT - LH	S9401-2140-0000-20														
		4" QR	S9401-2140-0000-70	100	240	35	123	94	309	295	131	12	22	110	28	508	45,50
		4" BSP - RH	S9401-2240-0000-30														
		4" BSP - LH	S9401-2240-0000-40														
		4" QR	S9401-2240-0000-70														

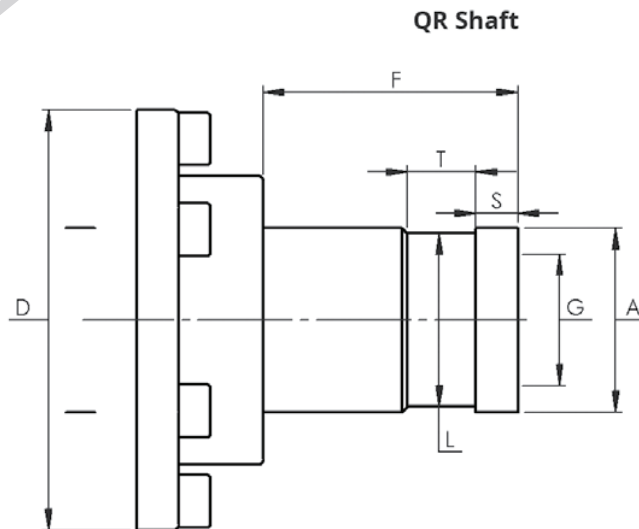
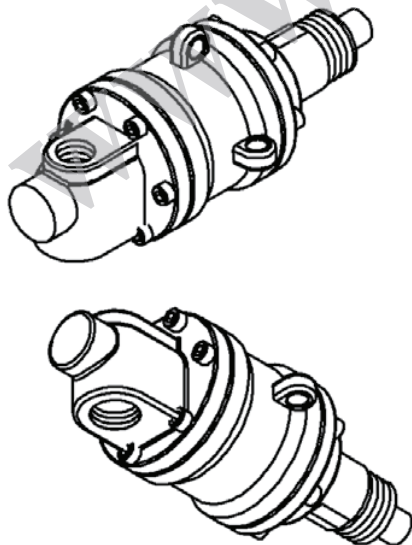
9000 S HO Series (Type 3) 1" (DN25) - 4" (DN100) Duo Flow Rotary Joints



Single Flow Rotary Joints

Single flow joints are used when supply and return lines are connected to opposite sides of the cylinder.

* Using see page 20

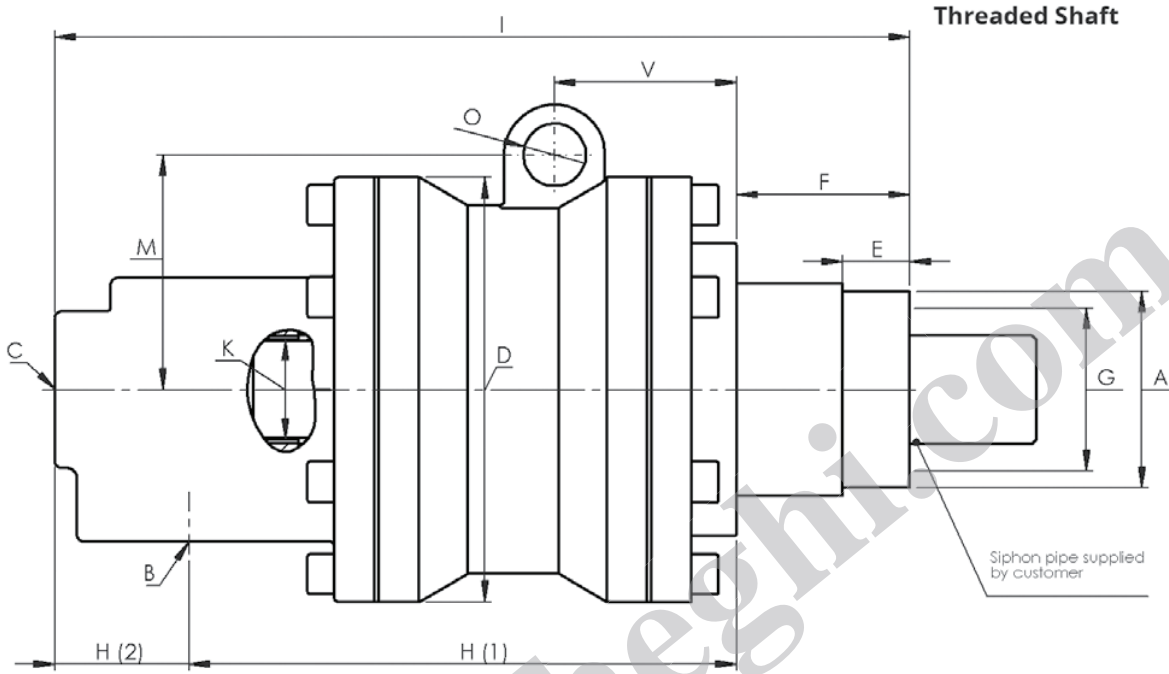


* Custom sized manufacturing are available.

9000S HO SERIES ROTARY JOINTS - TYPE 3 DUAL FLOW

Size DN	B	A	Model No	C	K	G	D	E	F	V	H	H(2)	M	S	T	L	O	I	Kg	
25	3/4"	1" NPT - RH	S9101-3107-0504-10	1/2"	3/8"	25	80	20	48	46	125	30	43				10	203	3,20	
		1" NPT - LH	S9101-3107-0504-20																	
		1" QR	S9101-3107-0504-70	1/2"	3/8"	25	80		48	46	125	30	43	8	13	33	10	203	3,20	
		1" BSP - RH	S9101-3207-0504-30	1/2"	3/8"	25	80	20	48	46	125	30	43					10	203	3,20
		1" BSP - LH	S9101-3207-0504-40																	
		1" QR	S9101-3207-0504-70	1/2"	3/8"	25	80		48	46	125	30	43	8	13	33	10	203	3,20	
32	1"	1 1/4" NPT - RH	S9121-3110-0705-10	3/4"	1/2"	32	103	23	66	51	145	35	56				14	227	4,50	
		1 1/4" NPT - LH	S9121-3110-0705-20																	
		1 1/4" QR	S9121-3110-0705-70	3/4"	1/2"	32	103	23	66	51	145	35	56	8	13	43	14	227	4,50	
		1 1/4" BSP - RH	S9121-3210-0705-30	3/4"	1/2"	32	103	23	66	51	145	35	56					14	227	4,50
		1 1/4" BSP - LH	S9121-3210-0705-40																	
		1 1/4" QR	S9121-3210-0705-70	3/4"	1/2"	32	103		66	51	145	35	56	8	13	43	14	227	4,50	
40	1 1/4"	1 1/2" NPT - RH	S9151-3112-0707-10	3/4"	3/4"	40	112	23	72	52	154	42	64				18	256	6,50	
		1 1/2" NPT - LH	S9151-3112-0707-20																	
		1 1/2" QR	S9151-3112-0707-70	3/4"	3/4"	40	112	23	72	52	154	42	64	10	16	48	18	256	6,50	
		1 1/2" BSP - RH	S9151-3212-0707-30	3/4"	3/4"	40	112	23	72	52	154	42	64					18	256	6,50
		1 1/2" BSP - LH	S9151-3212-0707-40																	
		1 1/2" QR	S9151-3212-0707-70	3/4"	3/4"	40	112		72	52	154	42	64	10	16	48	18	256	6,50	
50	1 1/2"	2" NPT - RH	S9201-3115-1010-10	1"	1"	50	124	25	56	56	173	45	69				18	290	7,50	
		2" NPT - LH	S9201-3115-1010-20																	
		2" QR	S9201-3115-1010-70	1"	1"	50	124		56	56	173	45	69	10	16	63	18	290	7,50	
		2" BSP - RH	S9201-3215-1010-30	1"	1"	50	124	25	56	56	173	45	69					18	290	7,50
		2" BSP - LH	S9201-3215-1010-40																	
		2" QR	S9201-3215-1010-70	1"	1"		124		56	56	173	45	69	10	16	63	18	290	7,50	
65	2"	2 1/2" NPT - RH	S9251-3120-1010-10	1"	1"	62	170	25	69	70	231	50	88				22	346	18,00	
		2 1/2" NPT - LH	S9251-3120-1010-20																	
		2 1/2" QR	S9251-3120-1010-70	1"	1"	62	170		69	70	231	50	88	19	29	69	22	346	18,00	
		2 1/2" BSP - RH	S9251-3220-1010-30	1"	1"	62	170	25	69	70	231	50	88					22	346	18,00
		2 1/2" BSP - LH	S9251-3220-1010-40																	
		2 1/2" QR	S9251-3220-1010-70	1"	1"	62	170		69	70	231	50	88	19	29	69	22	346	18,00	
80	2 1/2"	3" NPT - RH	S9301-3125-1212-10	1 1/4"	1 1/4"	75	190	30	79	87	246	60	105				28	382	25,50	
		3" NPT - LH	S9301-3125-1212-20																	
		3" QR	S9301-3125-1212-70	1 1/4"	1 1/4"	75	190		79	87	246	60	105	22	31	84	28	382	25,50	
		3" BSP - RH	S9301-3225-1212-30	1 1/4"	1 1/4"	75	190	30	79	87	246	60	105					28	382	25,50
		3" BSP - LH	S9301-3225-1212-40																	
		3" QR	S9301-3225-1212-70	1 1/4"	1 1/4"	75	190		79	87	246	60	105	22	31	84	28	382	25,50	
100	3"	4" NPT - RH	S9401-3140-1515-10	1 1/2"	1 1/2"	100	240	35	123	94	309	70	131				28	508	50,00	
		4" NPT - LH	S9401-3140-1515-20																	
		4" QR	S9401-3140-1515-70	1 1/2"	1 1/2"	100	240		123	94	309	70	131	12	22	110	28	508	50,00	
		4" BSP - RH	S9401-3240-1515-30	1 1/2"	1 1/2"	100	240	35	123	94	309	70	131					28	508	50,00
		4" BSP - LH	S9401-3240-1515-40																	
		4" QR	S9401-3240-1515-70	1 1/2"	1 1/2"	100	240		123	94	309	70	131	12	22	110	28	508	50,00	

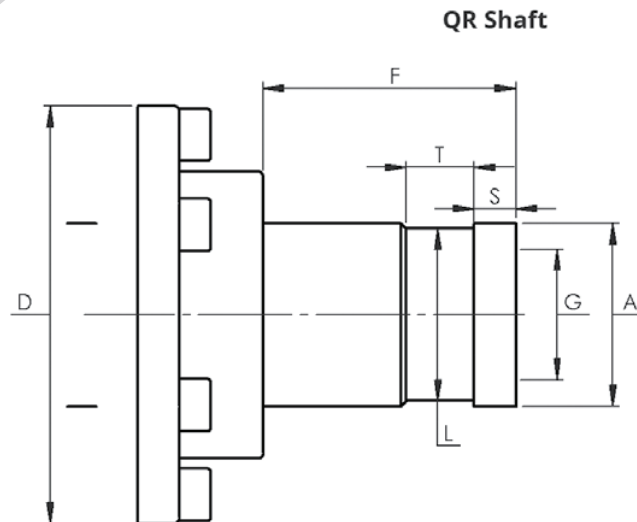
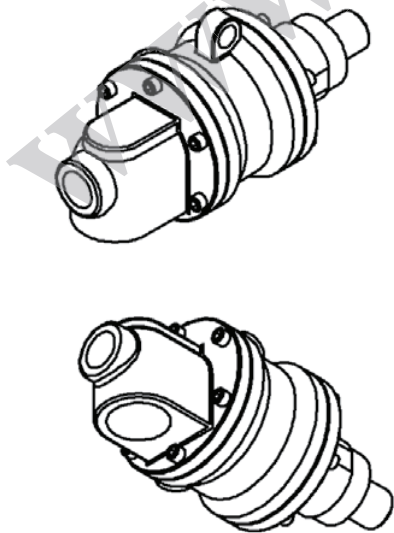
9000 S HO Series (Type 4) 1" (DN25) - 4" (DN100) Duo Flow Rotary Joints



Single Flow Rotary Joints

Single flow joints are used when supply and return lines are connected to opposite sides of the cylinder.

* Using see page 20



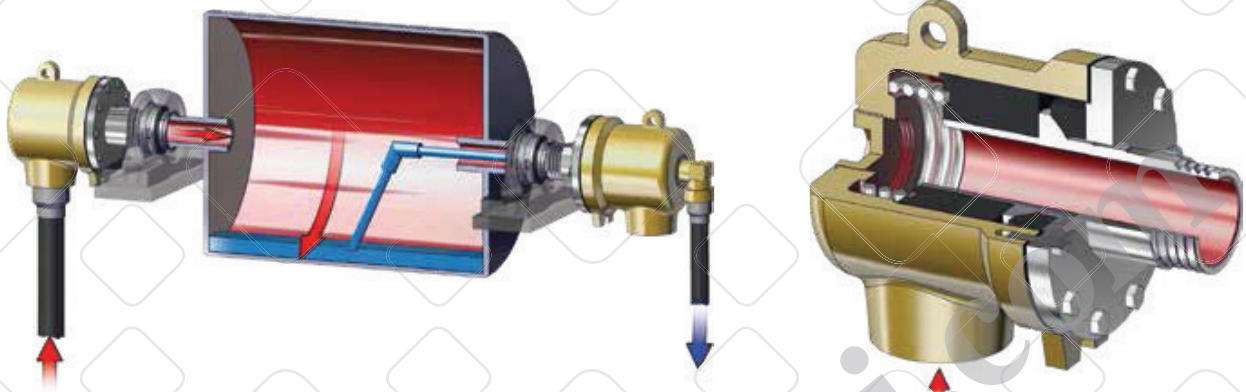
* Custom sized manufacturing are available.

9000S HO SERIES ROTARY JOINTS - TYPE 4 DUAL FLOW

Size DN	B	A	Model No	C	K	G	D	E	F	V	H	H(2)	M	S	T	L	O	I	Kg	
25	3/4"	1" NPT - RH	S9101-4107-0504-10	1/2"	3/8"	25	80	20	48	46	125	30	43				10	203	3,20	
		1" NPT - LH	S9101-4107-0504-20																	
		1" QR	S9101-4107-0504-70	1/2"	3/8"	25	80		48	46	125	30	43	8	13	33	10	203	3,20	
		1" BSP - RH	S9101-4207-0504-30	1/2"	3/8"	25	80	20	48	46	125	30	43					10	203	3,20
		1" BSP - LH	S9101-4207-0504-40																	
		1" QR	S9101-4207-0504-70	1/2"	3/8"	25	80		48	46	125	30	43	8	13	33	10	203	3,20	
32	1"	1 1/4" NPT - RH	S9121-4110-0705-10	3/4"	1/2"	32	103	23	66	51	145	35	56				14	227	4,50	
		1 1/4" NPT - LH	S9121-4110-0705-20																	
		1 1/4" QR	S9121-4110-0705-70	3/4"	1/2"	32	103	23	66	51	145	35	56	8	13	43	14	227	4,50	
		1 1/4" BSP - RH	S9121-4210-0705-30	3/4"	1/2"	32	103	23	66	51	145	35	56					14	227	4,50
		1 1/4" BSP - LH	S9121-4210-0705-40																	
		1 1/4" QR	S9121-4210-0705-70	3/4"	1/2"	32	103		66	51	145	35	56	8	13	43	14	227	4,50	
40	1 1/4"	1 1/2" NPT - RH	S9151-4112-0707-10	3/4"	3/4"	40	112	23	72	52	154	42	64				18	256	6,50	
		1 1/2" NPT - LH	S9151-4112-0707-20																	
		1 1/2" QR	S9151-4112-0707-70	3/4"	3/4"	40	112	23	72	52	154	42	64	10	16	48	18	256	6,50	
		1 1/2" BSP - RH	S9151-4212-0707-30	3/4"	3/4"	40	112	23	72	52	154	42	64					18	256	6,50
		1 1/2" BSP - LH	S9151-4212-0707-40																	
		1 1/2" QR	S9151-4212-0707-70	3/4"	3/4"	40	112		72	52	154	42	64	10	16	48	18	256	6,50	
50	1 1/2"	2" NPT - RH	S9201-4115-1010-10	1"	1"	50	124	25	56	56	173	45	69				18	290	7,50	
		2" NPT - LH	S9201-4115-1010-20																	
		2" QR	S9201-4115-1010-70	1"	1"	50	124		56	56	173	45	69	10	16	63	18	290	7,50	
		2" BSP - RH	S9201-4215-1010-30	1"	1"	50	124	25	56	56	173	45	69					18	290	7,50
		2" BSP - LH	S9201-4215-1010-40																	
		2" QR	S9201-4215-1010-70	1"	1"	50	124		56	56	173	45	69	10	16	63	18	290	7,50	
65	2"	2 1/2" NPT - RH	S9251-4120-1010-10	1"	1"	62	170	25	69	70	231	50	88				22	346	18,00	
		2 1/2" NPT - LH	S9251-4120-1010-20																	
		2 1/2" QR	S9251-4120-1010-70	1"	1"	62	170		69	70	231	50	88	19	29	69	22	346	18,00	
		2 1/2" BSP - RH	S9251-4220-1010-30	1"	1"	62	170	25	69	70	231	50	88					22	346	18,00
		2 1/2" BSP - LH	S9251-4220-1010-40																	
		2 1/2" QR	S9251-4220-1010-70	1"	1"	62	170		69	70	231	50	88	19	29	69	22	346	18,00	
80	2 1/2"	3" NPT - RH	S9301-4125-1212-10	1 1/4"	1 1/4"	75	190	30	79	87	246	60	105				28	382	25,50	
		3" NPT - LH	S9301-4125-1212-20																	
		3" QR	S9301-4125-1212-70	1 1/4"	1 1/4"	75	190		79	87	246	60	105	22	31	84	28	382	25,50	
		3" BSP - RH	S9301-4225-1212-30	1 1/4"	1 1/4"	75	190	30	79	87	246	60	105					28	382	25,50
		3" BSP - LH	S9301-4225-1212-40																	
		3" QR	S9301-4225-1212-70	1 1/4"	1 1/4"	75	190		79	87	246	60	105	22	31	84	28	382	25,50	
100	3"	4" NPT - RH	S9401-4140-1515-10	1 1/2"	1 1/2"	100	240	35	123	94	309	70	131				28	508	50,00	
		4" NPT - LH	S9401-4140-1515-20																	
		4" QR	S9401-4140-1515-70	1 1/2"	1 1/2"	100	240		123	94	309	70	131	12	22	110	28	508	50,00	
		4" BSP - RH	S9401-4240-1515-30	1 1/2"	1 1/2"	100	240	35	123	94	309	70	131					28	508	50,00
		4" BSP - LH	S9401-4240-1515-40																	
		4" QR	S9401-4240-1515-70	1 1/2"	1 1/2"	100	240		123	94	309	70	131	12	22	110	28	508	50,00	

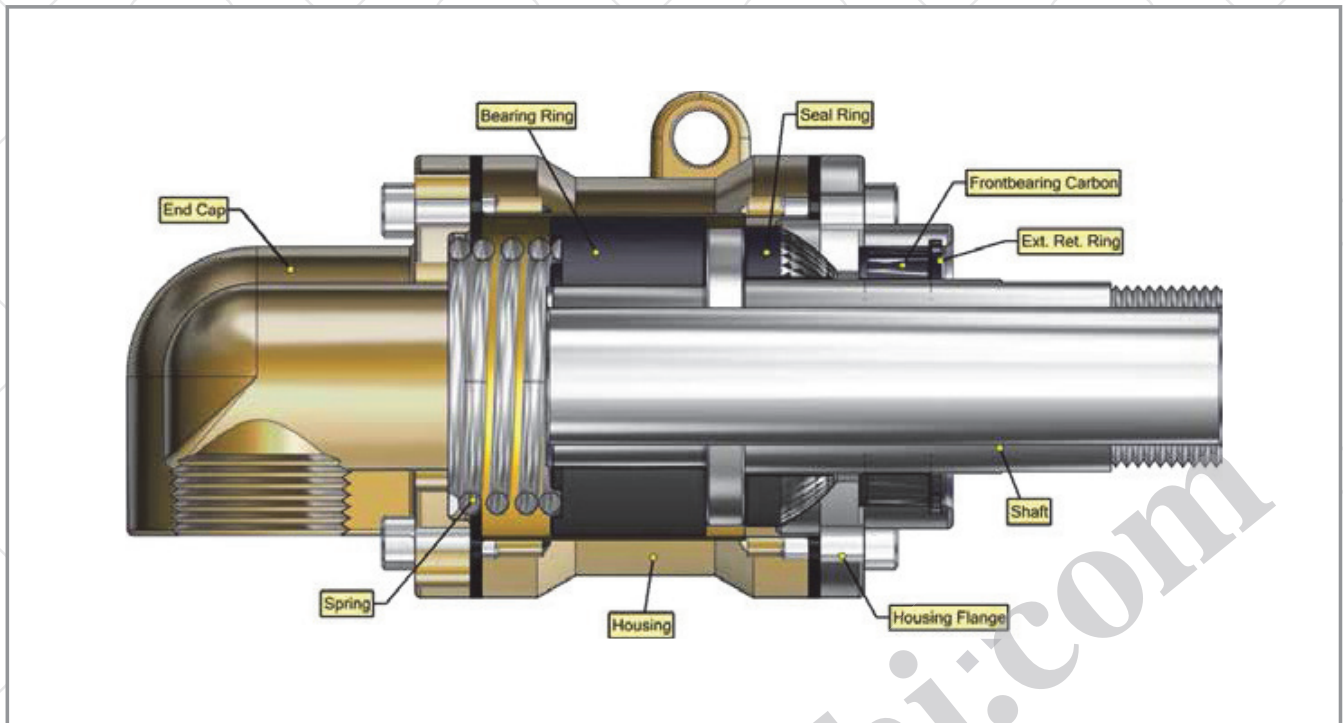
TYPES OF USE

SINGLE FLOW : Single flow rotating joints are used, when supply and return lines are connected to opposite sides of the cylinder.



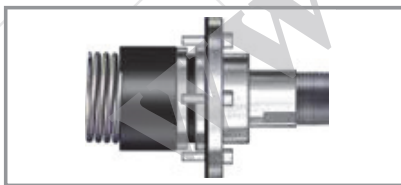
DUAL FLOW : Dual flow rotating joints are used, when supply and return lines are connected to same side of the cylinder. Siphon pipe inside is stationary.





9000S HO SERIES SPARE PARTS LIST

Model	S9250	S9300	S9400
Cartridge	S9250-C-HO-BSP-RH	S9300-C-HO-BSP-RH	S9400-C-HO-BSP-RH
	S9250-C-HO-BSP LH	S9300-C-HO-BSP LH	S9400-C-HO-BSP LH
	S9250-C-HO-NPT RH	S9300-C-HO-NPT RH	S9400-C-HO-NPT RH
	S9250-C-HO-NPT LH	S9300-C-HO-NPT LH	S9400-C-HO-NPT LH
	S9250-C-HO-QR	S9300-C-HO-QR	S9400-C-HO-QR
T-1	S9250-HO-T1	S9300-HO-T1	S9400-HO-T1
T-2	S9250-HO-T2	S9300-HO-T2	S9400-HO-T2



Cartridge

- Shaft
- Cover (AISI304)
- Gasket
- Front Bearing Carbon
- Ext.Ret. Ring
- Seal Ring



T-1

- Gasket
- Front Bearing Carbon
- Seal Ring
- Bearing Ring
- Spring



T-2

- Front Bearing Carbon
- Seal Ring
- Bearing Ring