

3000 HO SERIES ROTARY JOINTS



HOT OIL
 1/4" (DN08) - 2" (DN50)

- Single and duoflow design
- Balanced mechanical seal
- Easy replacement of sealing parts
- For poor water quality
- Threaded, flanged shafts
- Forged brass housing (MS58)
- Stainless steel shaft (AISI304)
- Silicon carbide sealing components

*** For further information please contact Rototech or local representative.

Working Conditions

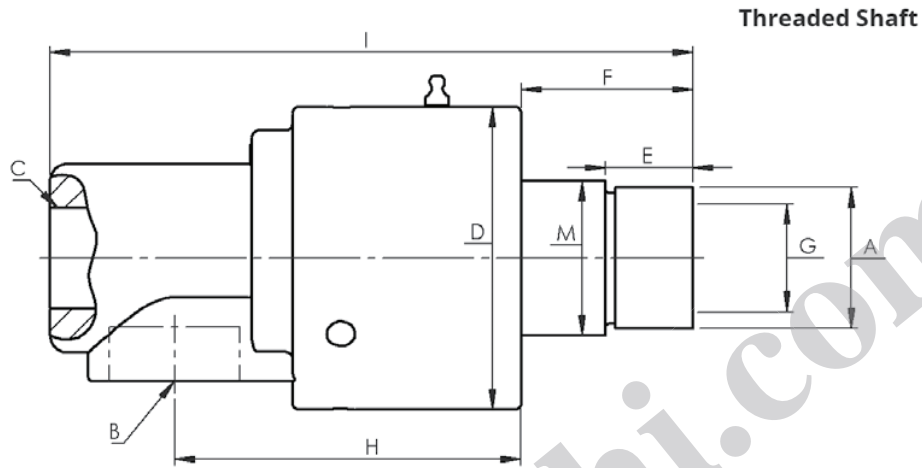
Max. Hot Oil Pressure	:	6 Bar	
Max. Hot Oil Temperature	:	160 °C	
Max. Speed	:	1/4" - 1/2"	2,500 rpm/min
	:	3/4" - 1"	2,000 rpm/min
	:	1 1/4" - 1 1/2"	1,750 rpm/min
	:	2"	750 rpm/min



Sealing Options

- 3000-X11 Carbon Graphite - Ceramic
- 3000-X16 Carbon Graphite - Silicium
- 3000-X36 Silicium - Silicium
- 3000-X43 Tungsten Carbide - Silicium

3000 HO Series 1/4" (DN08) - 2" (DN50) Single Flow Rotary Joints

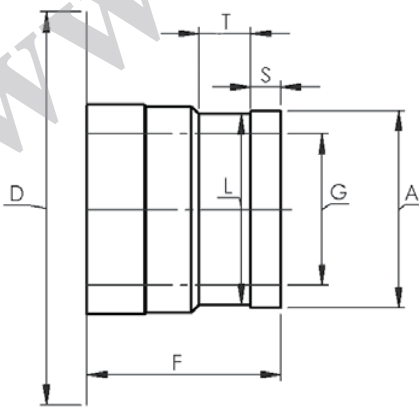


Single Flow Rotary Joints

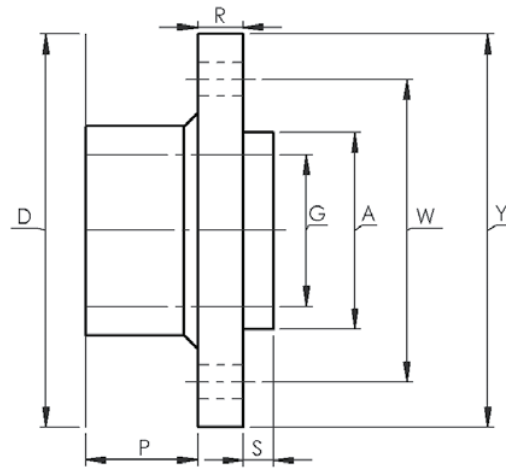
Single flow joints are used when supply and return lines are connected to opposite sides of the cylinder.

* Using see page 20

QR Shaft



Flanged Shaft

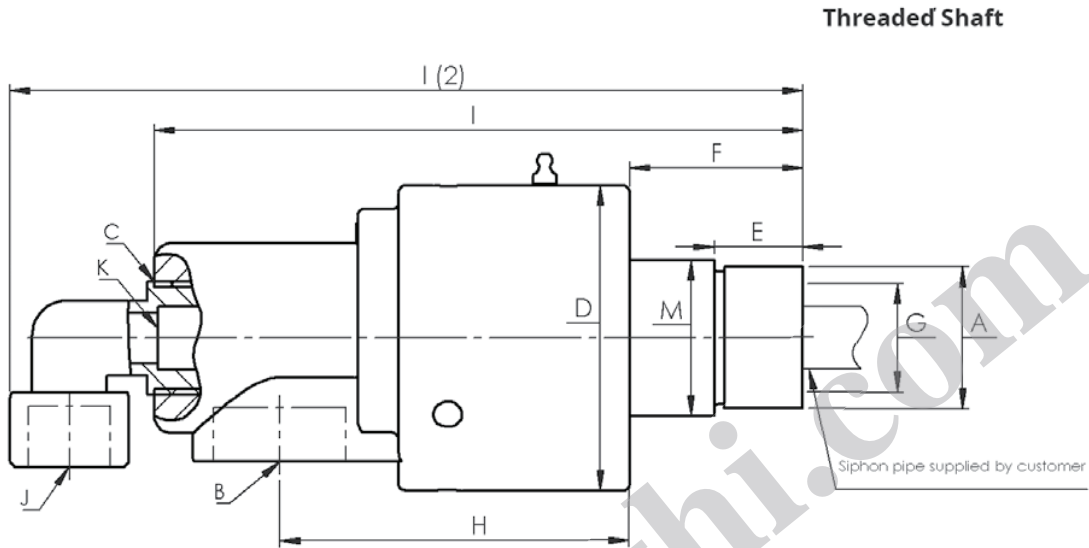


* Custom sized manufacturing are available.

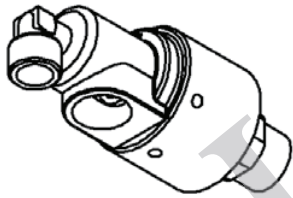
3000 HO SERIES ROTARY JOINTS - SINGLE FLOW

Size DN	B	Model No	A	D	F	E	G	H	C	I	M	L	P	R	S	T	W	Y	Kg		
DN08	1/4"	3025-036-102 HO	NPT - RH	47	23,50	12	8	50	1/8"	92	20								0,58		
		3025-036-103 HO	NPT - LH																		
		3025-336-202 HO	BSP - RH																		
		3025-336-203 HO	BSP - LH																		
DN10	3/8"	3037-036-104 HO	NPT - RH	47	24	12	8	50	3/8"	92	22								0,58		
		3037-036-105 HO	NPT - LH																		
		3037-336-204 HO	BSP - RH																		
		3037-336-205 HO	BSP - LH																		
DN15	1/2"	3050-036-106 HO	NPT - RH	57	32	16	15	64,50	3/8"	119	29									0,90	
		3050-036-107 HO	NPT - LH																		
		3050-036-100 HO	QR	57	42		15	64,50	3/8"	129	29	22			6	11				0,90	
		3050-036-010 HO	Flanged	57	36		15	64,50	3/8"	123	29		18	10			45	62		1,02	
		3050-336-206 HO	BSP - RH	57	32	16	15	64,50	3/8"	119	29										0,90
		3050-336-207 HO	BSP - LH																		
		3050-336-100 HO	QR	57	42		15	64,50	3/8"	129	29	22			6	11				0,90	
		3050-336-010 HO	Flanged	57	36		15	64,50	3/8"	123	29		18	10			45	62		1,02	
		3050-336-548 HO	Metric 20x1,5 - RH	57	32	16	15	64,50	3/8"	119	34										0,90
		3050-336-549 HO	Metric 20x1,5 - LH																		
DN20	3/4"	3075-036-108 HO	NPT - RH	67	35	18	20	74	1/2"	136	34									1,50	
		3075-036-109 HO	NPT - LH																		
		3075-036-100 HO	QR	67	47		20	74	1/2"	136	34	28			8	14				1,50	
		3075-036-010 HO	Flanged	67	45		20	74	1/2"	136	34		25	12			55	75		1,60	
		3075-336-208 HO	BSP - RH	67	35	18	20	74	1/2"	136	34										1,50
		3075-336-209 HO	BSP - LH																		
		3075-336-100 HO	QR	67	47		20	74	1/2"	136	34	28			8	14				1,50	
		3075-336-010 HO	Flanged	67	45		20	74	1/2"	136	34		25	10			55	75		1,60	
		3075-336-568 HO	Metric 27x1,5 - RH	67	35	18	20	74	1/2"	136	34										1,50
		3075-336-569 HO	Metric 27x1,5 - LH																		
DN25	1"	3100-036-110 HO	NPT - RH	80	42,50	20	25	84	3/4"	156,50	39,50									1,80	
		3100-036-110 HO	NPT - LH																		
		3100-036-100 HO	QR	80	47		25	84	3/4"	161	39,50	33			8	14				1,80	
		3100-036-010 HO	Flanged	80	45		25	84	3/4"	159	39,50		25	12			60	80		1,90	
		3100-336-210 HO	BSP - RH	80	42,50	20	25	84	3/4"	156,50	39,50										1,80
		3100-336-211 HO	BSP - LH																		
		3100-336-100 HO	QR	80	47		25	84	3/4"	161	39,50	33			8	14				1,80	
		3100-336-010 HO	Flanged	80			25	84	3/4"	159	39,50		25	12			60	80		1,90	
		3100-336-568 HO	Metric 35x1,5 - RH	80	42,50	20	25	84	3/4"	156,50	39,50										1,80
		3100-336-569 HO	Metric 35x1,5 - LH																		
DN32	1 1/4"	3125-036-112 HO	NPT - RH	90	51	26	32	103	1"	191	46									3,15	
		3125-036-113 HO	NPT - LH																		
		3125-036-100 HO	QR	90	52		32	103	1"	192	49,50	43			8	14				3,15	
		3125-036-010 HO	Flanged	90	50		32	103	1"	190	49,50		30	12			75	100		3,30	
		3125-336-212 HO	BSP - RH	90	51	26	32	103	1"	191	46										3,15
		3125-336-213 HO	BSP - LH																		
		3125-336-020 HO	QR	90	52		32	103	1"	192	49,50	43			8	14				3,15	
		3125-336-010 HO	Flanged	90	50		32	103	1"	190	49,50		30	12			75	100		3,30	
DN40	1 1/2"	3150-036-114 HO	NPT - RH	106	58	30	40	112	1 1/4"	213	59									4,54	
		3150-036-115 HO	NPT - LH																		
		3150-036-100 HO	QR	106	57		40	112	1 1/4"	212	59	48			10	17				4,54	
		3150-036-010 HO	Flanged	106	55		40	112	1 1/4"	210	59		30	15			80	105		4,90	
		3150-336-214 HO	BSP - RH	106	58	30	40	112	1 1/4"	213	59										4,54
		3150-336-215 HO	BSP - LH																		
		3150-336-020 HO	QR	106	57		40	112	1 1/4"	212	59	48			10	17				4,54	
		3150-336-010 HO	Flanged	106	55		40	112	1 1/4"	210	59		30	15			80	105		4,90	
		3150-336-598 HO	Metric 50x1,5 - RH	106	58	30	40	112	1 1/4"	213	59										4,54
3150-336-599 HO	Metric 50x1,5 - LH																				
DN50	2"	3200-036-116 HO	NPT - RH	120	60	30	50	133,50	1 1/2"	245	69									7,00	
		3200-036-117 HO	NPT - LH																		
		3200-036-100 HO	QR	120	57		50	133,50	1 1/2"	242	69	63			10	17				7,00	
		3200-036-010 HO	Flanged	120	55		50	133,50	1 1/2"	240	69		30	15			100	130		7,20	
		3200-336-216 HO	BSP - RH	120	60	30	50	133,50	1 1/2"	245	69										7,00
		3200-336-217 HO	BSP - LH																		
		3200-336-020 HO	QR	120	57		50	133,50	1 1/2"	242	69	63			10	17				7,00	
		3200-336-010 HO	Flanged	120	55		50	133,50	1 1/2"	240	69		30	15			100	130		7,20	

3000 HO Series 1/2" (DN15) - 2" (DN50) Duo Flow Rotary Joints



Siphon Systems (K)
Stationary and rotating siphon systems are available.

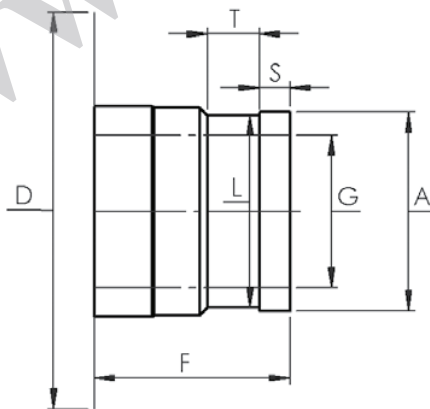


Duo Flow Rotary Joints

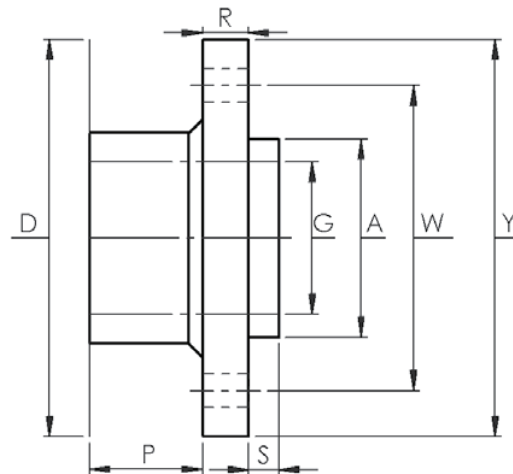
Single flow joints are used when supply and return lines are connected to same sides of the cylinder.

* Using see page 20

QR Shaft



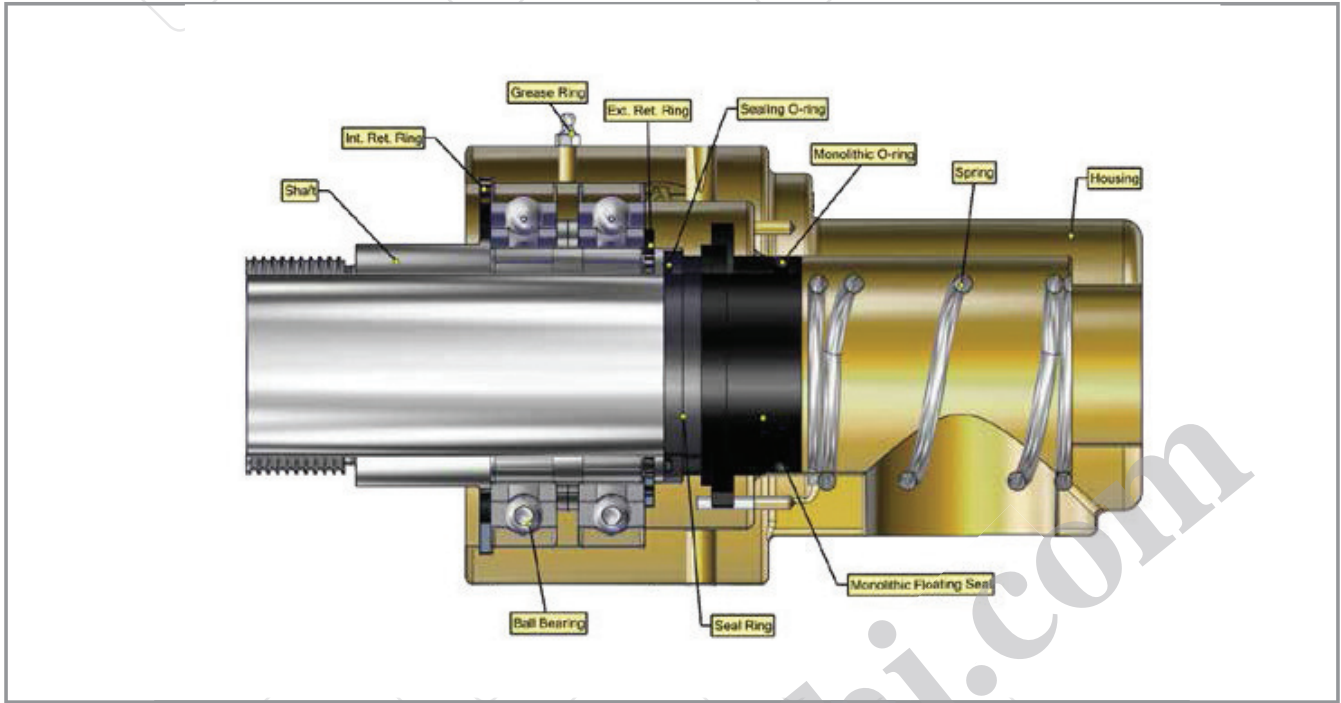
Flanged Shaft



* Custom sized manufacturing are available.

3000 HO SERIES ROTARY JOINTS - DUAL FLOW 1/4"(DN06) - 2"(DN50)

Size DN	B	J	Model No	A	D	I(2)	I	F	E	G	H	C	K	M	L	P	R	S	T	W	Y	Kg				
15	1/2"	3/8"	3050-036-106 D HO	NPT - RH	57	150	129	32	16	15	64,50	3/8"	1/4"	29									1,02			
			3050-036-107 D HO	NPT - LH																						
			3050-036-100 D HO	QR	57	159	129	42		15	64,50	3/8"	1/4"	29	22				6	11					1,02	
			3050-036-010 D HO	Flanged	57	153	123	36		15	64,50	3/8"	1/4"	29		18	10					45	62		1,25	
			3050-336-206 D HO	BSP - RH	57	150	119	32	16	15	64,50	3/8"	1/4"	29												1,02
			3050-336-207 D HO	BSP - LH																						
			3050-336-100 D HO	QR	57	159	129	42		15	64,50	3/8"	1/4"	29	22					6	11					1,02
			3050-336-010 D HO	Flanged	57	153	123	36		15	64,50	3/8"	1/4"	29		18	10					45	62		1,25	
			3050-336-548 D HO	Metric 20x1,5 - RH	57	150	119	32	16	15	64,50	3/8"	1/4"	34												1,02
3050-336-549 D HO	Metric 20x1,5 - LH																									
20	3/4"	1/2"	3075-036-108 D HO	NPT - RH	67	171	136	35	18	20	74	1/2"	1/4"	34										1,60		
			3075-036-109 D HO	NPT - LH																						
			3075-036-100 D HO	QR	67	183	136	47		20	74	1/2"	1/4"	34	28				8	14					1,60	
			3075-036-010 D HO	Flanged	67	181	136	45		20	74	1/2"	1/4"	34		25	12					55	75		1,60	
			3075-336-208 D HO	BSP - RH	67	171	136	35	18	20	74	1/2"	1/4"	34												1,60
			3075-336-209 D HO	BSP - LH																						
			3075-336-100 D HO	QR	67	183	136	47		20	74	1/2"	1/4"	34	28				8	14					1,60	
			3075-336-010 D HO	Flanged	67	181	136	45		20	74	1/2"	1/4"	34		25	12					55	75		1,60	
			3075-336-568 D HO	Metric 27x1,5 - RH	67	171	136	35	18	20	74	1/2"	1/4"	34												1,60
3075-336-569 D HO	Metric 27x1,5 - LH																									
25	1"	1/2"	3100-036-110 D HO	NPT - RH	80	197	156,50	42,50	20	25	84	3/4"	3/8"	39,50										1,96		
			3100-036-110 D HO	NPT - LH																						
			3100-036-100 D HO	QR	80	201,50	161	47		25	84	3/4"	3/8"	39,50	33				8	14					1,96	
			3100-036-010 D HO	Flanged	80	199,50	159	45		25	84	3/4"	3/8"	39,50		25	12					60	80		2,06	
			3100-336-210 D HO	BSP - RH	80	197	156,50	42,50	20	25	84	3/4"	3/8"	39,50												1,96
			3100-336-211 D HO	BSP - LH																						
			3100-336-100 D HO	QR	80	201,50	161	47		25	84	3/4"	3/8"	39,50	33				8	14					1,96	
			3100-336-010 D HO	Flanged	80	199,50	159	45		25	84	3/4"	3/8"	39,50		25	12					60	80		2,06	
			3100-336-568 D HO	Metric 35x1,5 - RH	80	197	156,50	42,50	20	25	84	3/4"	3/8"	39,50												1,96
3100-336-569 D HO	Metric 35x1,5 - LH																									
32	1 1/4"	3/4"	3125-036-112 D HO	NPT - RH	90	235	191	51	26	32	103	1"	1/2"	46										3,26		
			3125-036-113 D HO	NPT - LH																						
			3125-036-100 D HO	QR	90	236	192	52		32	103	1"	1/2"	49,50	43				8	14					3,26	
			3125-036-010 D HO	Flanged	90	234	190	50		32	103	1"	1/2"	49,50		30	12					75	100		3,41	
			3125-336-212 D HO	BSP - RH	90	235	191	51	26	32	103	1"	1/2"	46												3,26
			3125-336-213 D HO	BSP - LH																						
			3125-336-020 D HO	QR	90	236	192	52		32	103	1"	1/2"	49,50	43				8	14					3,26	
			3125-336-010 D HO	Flanged	90	234	190	50		32	103	1"	1/2"	49,50		30	12					75	100		3,41	
40	1 1/2"	3/4"	3150-036-114 D HO	NPT - RH	106	256	213	58	30	40	112	1 1/4"	3/4"	59										7,74		
			3150-036-115 D HO	NPT - LH																						
			3150-036-100 D HO	QR	106	256	212	57		40	112	1 1/4"	3/4"	59	48				10	17					7,74	
			3150-036-010 D HO	Flanged	106	254	210	55		40	112	1 1/4"	3/4"	59		30	15					80	105		5,10	
			3150-336-214 D HO	BSP - RH	106	256	213	58	30	40	112	1 1/4"	3/4"	59												7,74
			3150-336-215 D HO	BSP - LH																						
			3150-336-020 D HO	QR	106	256	212	57		40	112	1 1/4"	3/4"	59	48				10	17					7,74	
			3150-336-010 D HO	Flanged	106	254	210	55		40	112	1 1/4"	3/4"	59		30	15					80	105		5,10	
			3150-336-598 D HO	Metric 50x1,5 - RH	106	256	213	58	30	40	112	1 1/4"	3/4"	59												7,74
3150-336-599 D HO	Metric 50x1,5 - LH																									
50	2"	1 1/4"	3200-036-116 D HO	NPT - RH	120	301	245	60	30	50	133,50	1 1/2"	1"	69										7,33		
			3200-036-117 D HO	NPT - LH																						
			3200-036-100 D HO	QR	120	298	242	57		50	133,50	1 1/2"	1"	69	63				10	17					7,33	
			3200-036-010 D HO	Flanged	120	296	240	55		50	133,50	1 1/2"	1"	69		30	15					100	130		7,53	
			3200-336-216 D HO	BSP - RH	120	301	245	60	30	50	133,50	1 1/2"	1"	69												7,33
			3200-336-217 D HO	BSP - LH																						
			3200-336-020 D HO	QR	120	298	242	57		50	133,50	1 1/2"	1"	69	63				10	17					7,33	
			3200-336-010 D HO	Flanged	120	296	240	55		50	133,50	1 1/2"	1"	69		30	15					100	130		7,53	



3000HO SERIES SPARE PARTS LIST

Model	3025HO	3037HO	3050HO	3075HO	3100HO	3125HO	3150HO	3200HO
Cartridge	3025-C-HO-BSP-RH	3037-C-HO-BSP-RH	3050-C-HO-BSP-RH	3075-C-HO-BSP-RH	3100-C-HO-BSP-RH	3125-C-HO-BSP-RH	3150-C-HO-BSP-RH	3200-C-HO-BSP-RH
	3025-C-HO-BSP-LH	3037-C-HO-BSP-LH	3050-C-HO-BSP-LH	3075-C-HO-BSP-LH	3100-C-HO-BSP-LH	3125-C-HO-BSP-LH	3150-C-HO-BSP-LH	3200-C-HO-BSP-LH
	3025-C-HO-NPT-RH	3037-C-HO-NPT-RH	3050-C-HO-NPT-RH	3075-C-HO-NPT-RH	3100-C-HO-NPT-RH	3125-C-HO-NPT-RH	3150-C-HO-NPT-RH	3200-C-HO-NPT-RH
	3025-C-HO-NPT-LH	3037-C-HO-NPT-LH	3050-C-HO-NPT-LH	3075-C-HO-NPT-LH	3100-C-HO-NPT-LH	3125-C-HO-NPT-LH	3150-C-HO-NPT-LH	3200-C-HO-NPT-LH
			3050-C-HO-QR	3075-C-HO-QR	3100-C-HO-QR	3125-C-HO-QR	3150-C-HO-QR	3200-C-HO-QR
T-1	3025-336-1HO	3037-336-1HO	3050-336-1HO	3075-336-1HO	3100-336-1HO	3125-336-1HO	3150-336-1HO	3200-336-1HO
T-2	3025-336-2HO	3037-336-2HO	3050-336-2HO	3075-336-2HO	3100-336-2HO	3125-336-2HO	3150-336-2HO	3200-336-2HO



Cartridge

- Shaft
- Ball bearing (2 pcs.)
- Seal ring
- Seal o-ring
- Monolithic Ring
- Monolithic o-ring
- Spacer
- Spring



T-1

- Seal Ring
- Seal O-ring
- Monolithic Ring
- Monolithic O-ring
- Washer



T-2

- Seal Ring
- Seal O-ring
- Monolithic Ring
- Monolithic O-ring