

8000 SERIES ROTARY JOINT

Water, Hot Water
2 1/2" (DN65) - 4" (DN100)

- Single and duoflow design
- Balanced mechanical seal
- Easy replacement of sealing parts
- For poor water quality
- Threaded, flanged shafts
- Nodular casting body
- Stainless steel shaft (AISI304)
- Silicon carbide sealing components

*** For further information please contact
Rototech or local representative.

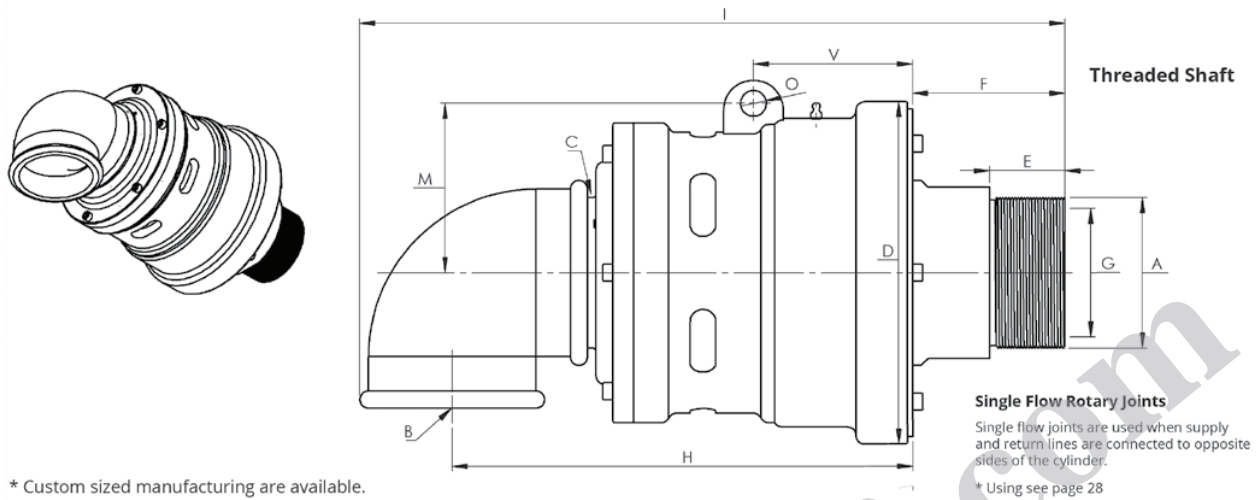


Working Conditions

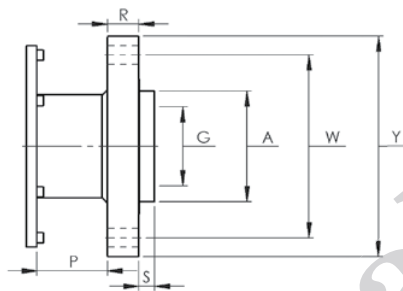
Max. Water Pressure & Temperature	:	10 bar - 60°C
Max. Hot Water Pressure & Temperature	:	5 bar - 90°C
Max. Speed / RPM	:	750 rpm/min



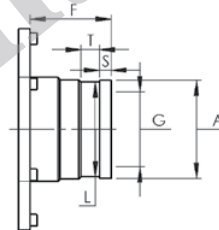
8000 Series 2 1/2" (DN65) - 4" (DN100) Single Flow Rotary Joints



Flanged Shaft

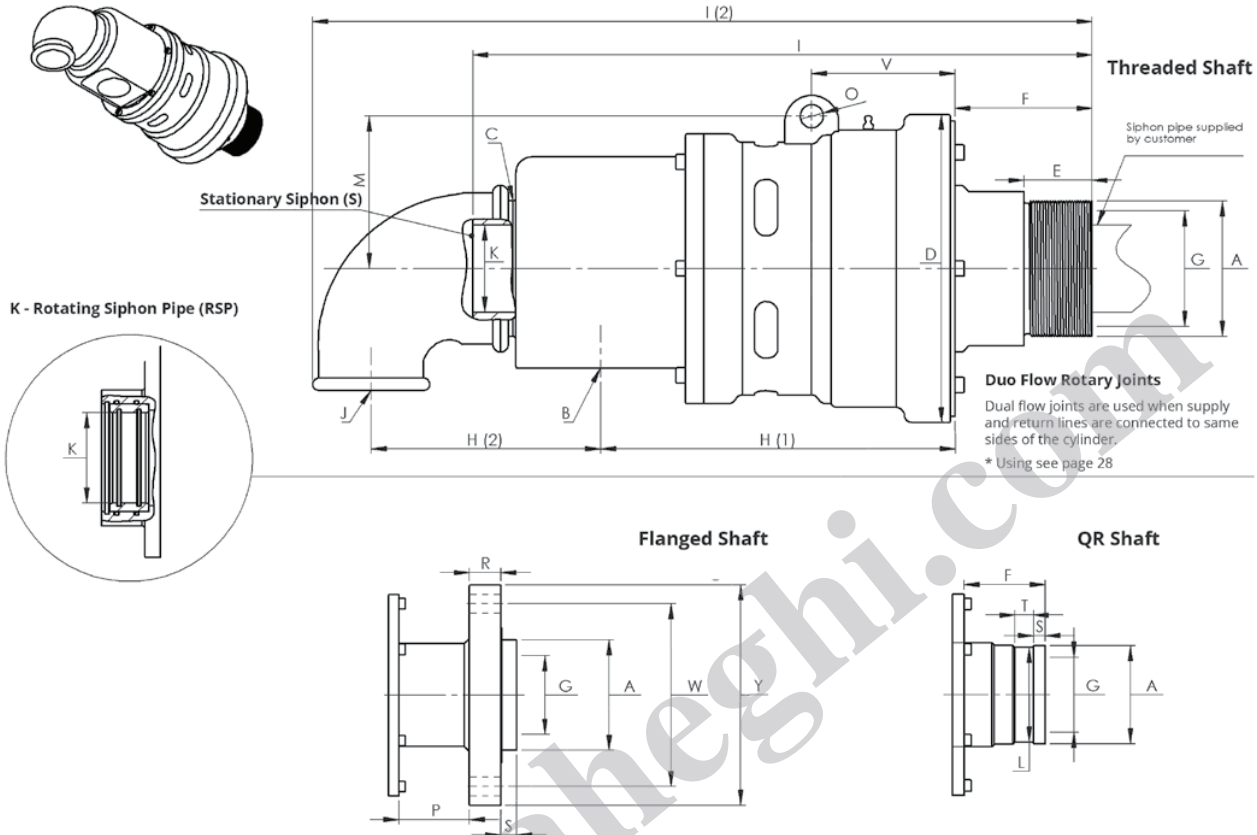


QR Shaft



Size DN	B	A	Model	C	G	D	E	F	P	V	H	M	O	I	S	L	T	R	W	Y	SxT	Kg	
65	2 1/2" (NPT)	2 1/2" NPT-RH	8252-150-0013	2 1/2" (NPT)	65	180	30	70		78	240	90	15	356								18,00	
		2 1/2" NPT-LH	8252-150-0014	2 1/2" (NPT)	65	180					78	240	90	15	356	10	82	16					18,00
		2 1/2" QR	8252-150-0060	2 1/2" (NPT)	65	180			70		78	240	90	15	356								18,00
	2 1/2" (BSP)	2 1/2" Flanged	8252-150-0040	2 1/2" (NPT)	65	180				60	78	240	90	15	383	12,5			25	145	179	4xØ18	22,50
		2 1/2" BSP-RH	8252-250-0023	2 1/2" (BSP)	65	180	30	70			78	240	90	15	356								18,00
		2 1/2" BSP-LH	8252-250-0024	2 1/2" (BSP)	65	180			70		78	240	90	15	356	10	82	16					18,00
		2 1/2" QR	8252-250-0060	2 1/2" (BSP)	65	180			70		78	240	90	15	356	10	82	16					18,00
	2 1/2" Flanged	8252-250-0040	2 1/2" (BSP)	65	180				60	78	240	90	15	383	12,5			25	145	179	4xØ18	22,50	
80	3" (NPT)	3" NPT - RH	8302-160-0015	3" (NPT)	75	200	44	89		93	269	99	15	412								26,00	
		3" NPT - LH	8302-160-0016	3" (NPT)	75	200			89		93	269	99	15	412	12	102	19					26,00
		3" QR	8302-160-0060	3" (BSP)	75	200			89		93	269	99	15	412	12	102	19					26,00
	3" (BSP)	3" Flanged	8302-160-0040	3" (NPT)	75	200				67	93	269	99	15	435	15			29	175	209	6xØ18	32,50
		3" BSP - RH	8302-260-0025	3" (BSP)	75	200	44	89			93	269	99	15	412								26,00
		3" BSP - LH	8302-260-0026	3" (BSP)	75	200			89		93	269	99	15	412	12	102	19					26,00
		3" QR	8302-260-0060	3" (BSP)	75	200			89		93	269	99	15	412	12	102	19					26,00
	3" Flanged	8302-260-0040	3" (BSP)	75	200				67	93	269	99	15	435	15			29	175	209	6xØ18	32,50	
100	4" (NPT)	4" NPT - RH	8402-170-0017	4" (BSP)	100	256	45	115		113	325	126	16	507								51,00	
		4" NPT - LH	8402-170-0018	4" (NPT)	100	256			115		113	325	126	16	507	30	114	34					51,00
		4" QR	8402-170-0060	4" (NPT)	100	256				71	113	325	126	16	512	20			29	197	229	8xØ18	58,00
	4" (BSP)	4" Flanged	8402-170-0040	4" (NPT)	100	256					113	325	126	16	512								51,00
		4" BSP - RH	8402-270-0027	4" (BSP)	100	256	45	115			113	325	126	16	507								51,00
		4" BSP - LH	8402-270-0028	4" (BSP)	100	256			115		113	325	126	16	507	30	114	34					51,00
		4" QR	8402-270-0060	4" (BSP)	100	256			115		113	325	126	16	507	30	114	34					51,00
	4" Flanged	8402-270-0040	4" (BSP)	100	256				71	113	325	126	16	512	20			29	197	229	8xØ18	58,00	

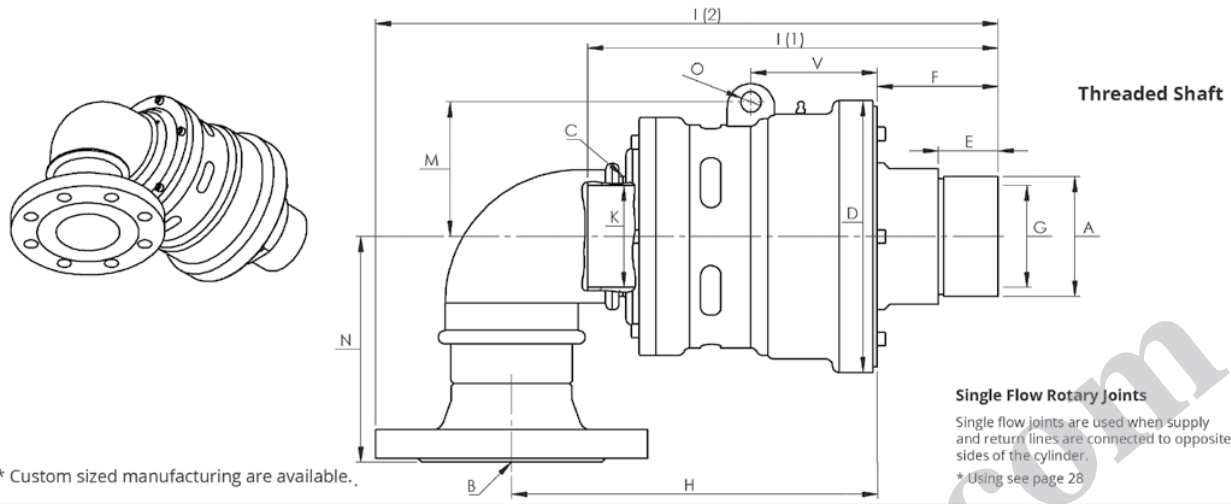
8000 Series 2 1/2" (DN65) - 4" (DN100) Duo Flow Rotary Joints



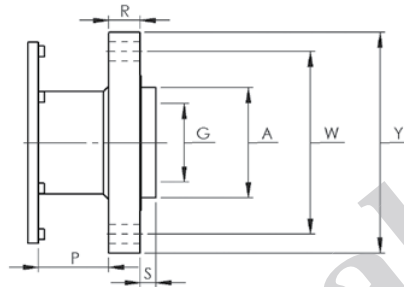
* Custom sized manufacturing are available.

Size DN	B	A Shaft	Model No Stationary Siphon	Model No Rotating Siphon (RSP)	J	C	K	G	D	E	F	P	V	H (1)	H (2)	M	O	I (1)	I (2)	S	L	T	R	W	Y	SxT	Kg	
65	1 1/2" (NPT)	2 1/2" NPT-RH	8252-133-1313	8252-133-3313	1 1/2" (NPT)	2 1/2" (NPT)	1 1/2" (NPT)	65	180	30	70		78	208	114	90	15	351	425								21	
		2 1/2" NPT-LH	8252-133-1314	8252-133-3314	1 1/2" (NPT)	2 1/2" (NPT)	1 1/2" (NPT)	65	180		70			78	208	114	90	15	351	425	10	82	16					21
		2 1/2" QR	8252-133-3360	8252-133-3360	1 1/2" (NPT)	2 1/2" (NPT)	1 1/2" (NPT)	65	180		70		60	78	114	90	15	367	441	13				25	145	179	4xØ18	25
	1 1/2" (BSP)	2 1/2" Flanged	8252-133-3340	8252-133-3340	1 1/2" (NPT)	2 1/2" (NPT)	1 1/2" (NPT)	65	180					78	114	90	15	367	441	13				25	145	179	4xØ18	25
		2 1/2" BSP-RH	8252-233-3323	8252-233-4313	1 1/2" (BSP)	2 1/2" (BSP)	1 1/2" (NPT)	65	180	30	70			78	208	114	90	15	351	425								21
		2 1/2" QR	8252-233-3360	8252-233-4360	1 1/2" (BSP)	2 1/2" (BSP)	1 1/2" (NPT)	65	180		70			78	208	114	90	15	351	425	10	82	16					21
80	2" (NPT)	3" NPT - RH	8302-144-1415	8302-144-3415	2" (NPT)	3" (NPT)	2" (NPT)	75	200	44	89		93	230	149	99	15	402	506								31	
		3" NPT - LH	8302-144-1416	8302-144-3416	2" (NPT)	3" (BSP)	2" (NPT)	75	200		89			93	230	149	99	15	402	506	12	102	19					31
		3" QR	8302-144-3460	8302-144-3460	2" (NPT)	3" (NPT)	2" (NPT)	75	200		89		67	93	149	99	15	425	529	15				29	175	209	6xØ18	37
	2" (BSP)	3" Flanged	8302-144-3440	8302-144-3440	2" (NPT)	3" (NPT)	2" (NPT)	75	200					93	149	99	15	425	529	15				29	175	209	6xØ18	37
		3" BSP - RH	8302-244-3425	8302-244-4415	2" (BSP)	3" (BSP)	2" (BSP)	75	200	44	89			93	230	149	99	15	402	506								31
		3" BSP - LH	8302-244-3426	8302-244-4416	2" (BSP)	3" (BSP)	2" (BSP)	75	200		89			93	230	149	99	15	402	506	12	102	19					31
100	2 1/2" (NPT)	4" NPT - RH	8402-155-1517	8402-155-3517	2 1/2" (NPT)	4" (BSP)	2 1/2" (NPT)	100	256	45	115		113	293	171	126	16	532	625								65	
		4" NPT - LH	8402-155-1518	8402-155-3518	2 1/2" (NPT)	4" (NPT)	2 1/2" (NPT)	100	256		115			113	293	171	126	16	532	625	30	114	34					65
		4" QR	8402-155-3560	8402-155-3560	2 1/2" (NPT)	4" (NPT)	2 1/2" (NPT)	100	256		115		71	113	171	126	16	527	630	20				29	197	229	8xØ18	72
	2 1/2" (BSP)	4" Flanged	8402-155-3540	8402-155-3540	2 1/2" (NPT)	4" (NPT)	2 1/2" (NPT)	100	256					113	171	126	16	527	630	20				29	197	229	8xØ18	72
		4" BSP - RH	8402-255-3527	8402-255-4517	2 1/2" (NPT)	4" (BSP)	2 1/2" (BSP)	100	256	45	115			113	293	171	126	16	532	625								65
		4" BSP - LH	8402-255-3528	8402-255-4518	2 1/2" (NPT)	4" (BSP)	2 1/2" (BSP)	100	256		115			113	293	171	126	16	532	625	30	114	34					65
2 1/2" (BSP)	4" QR	8402-255-3560	8402-255-4560	2 1/2" (NPT)	4" (BSP)	2 1/2" (BSP)	100	256		115			113	293	171	126	16	532	625	30	114	34					65	
	4" Flanged	8402-255-3540	8402-255-4540	2 1/2" (NPT)	4" (BSP)	2 1/2" (BSP)	100	256				71	113	171	126	16	527	630	20				29	197	229	8xØ18	72	

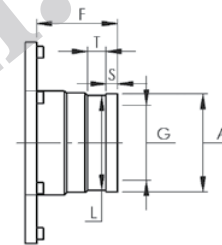
8000 Series 2 1/2" (DN65) - 4" (DN100) Duo Flow Rotary Joints



Flanged Shaft

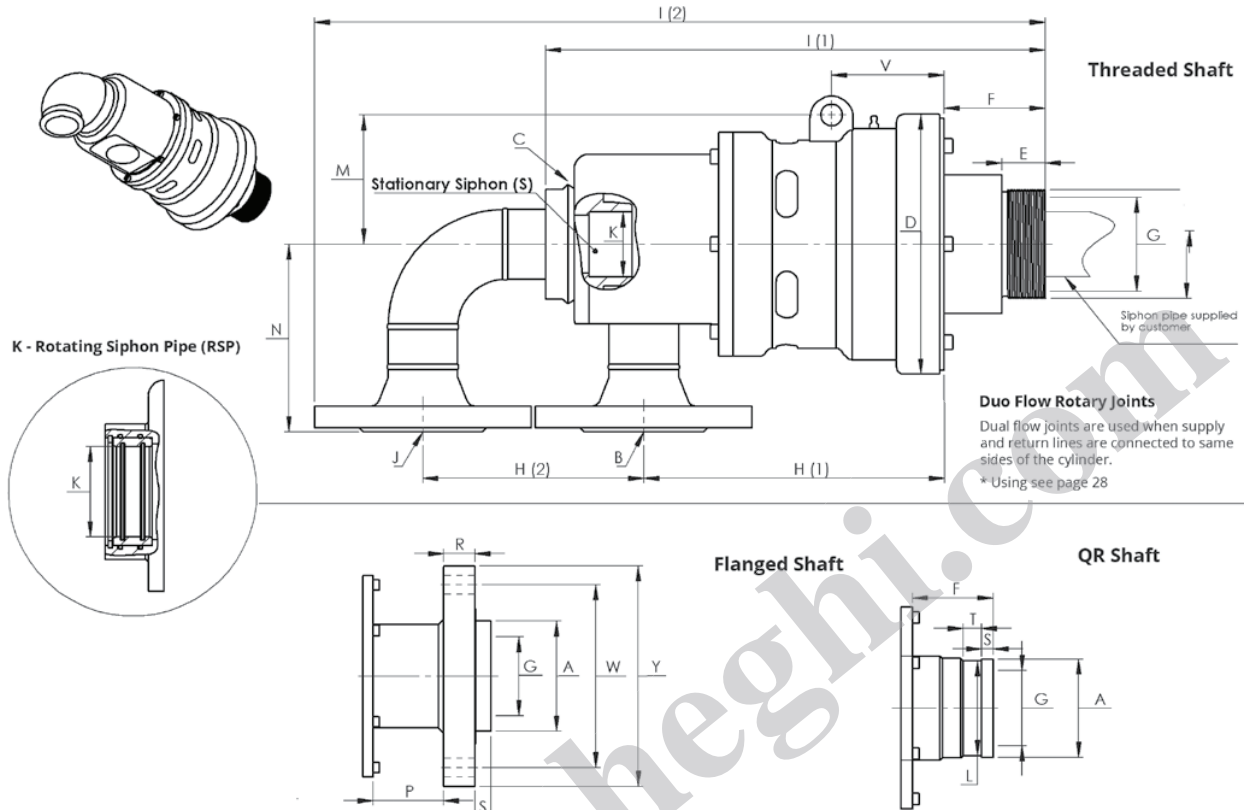


QR Shaft



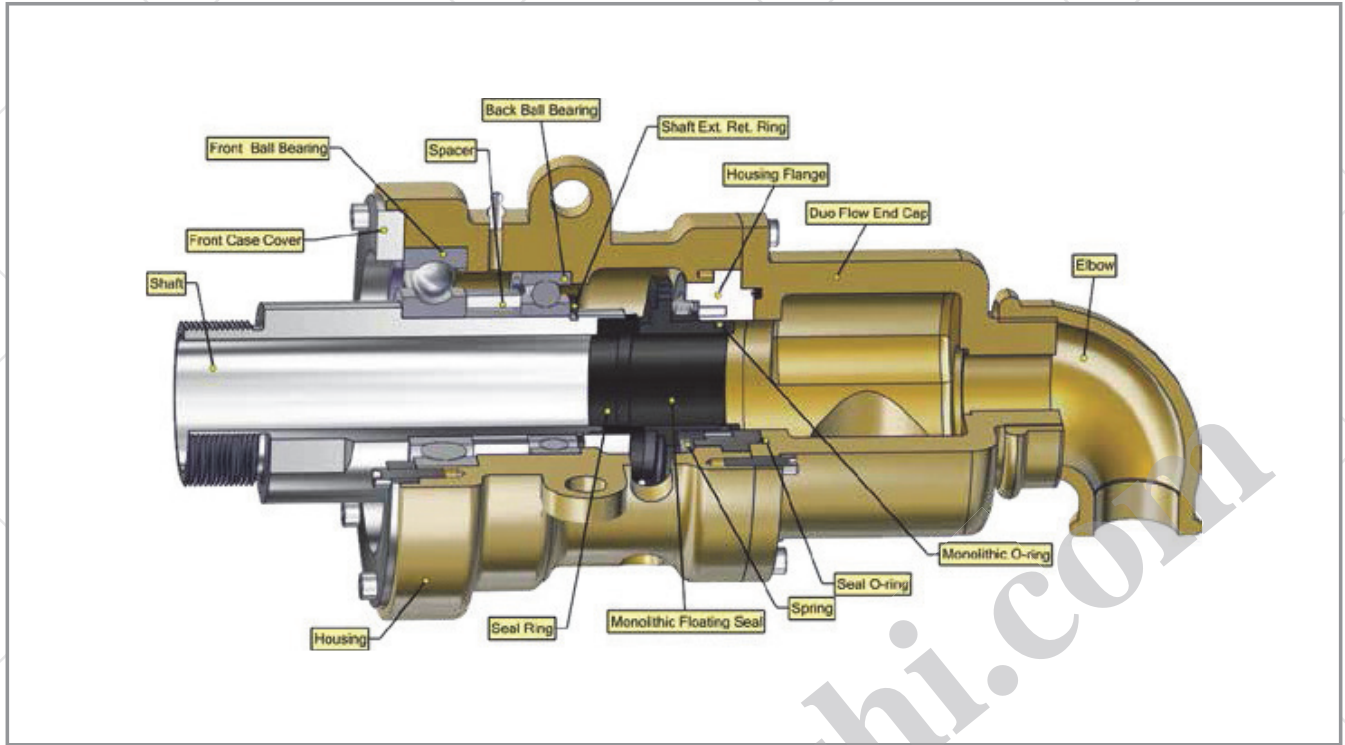
Size DN	B	A	Model	C	G	D	E	F	P	V	H	M	N	O	I	I(2)	S	L	T	R	W	Y	SxT	Kg	
65	2 1/2" (NPT)	2 1/2" NPT-RH	8252-150-0013	2 1/2" (NPT)	65	180	30	70		78	310	90	149	15	261	403								20,00	
		2 1/2" NPT-LH	8252-150-0014																						
		2 1/2" QR	8252-150-0060	2 1/2" (NPT)	65	180		70			78	310	90	149	15	261	403	10	82	16					20,00
	2 1/2" (BSP)	2 1/2" Flanged	8252-150-0040	2 1/2" (NPT)	65	180				60	78	240	90	152	15	288	430	12,5			25	145	179	4x Ø18	2200
		2 1/2" BSP-RH	8252-250-0023	2 1/2" (BSP)	65	180	30	70			78	310	90	149	15	261	403								20,00
		2 1/2" BSP-LH	8252-250-0024																						
80	3" (NPT)	3" NPT - RH	8302-160-0015	3" (NPT)	75	200	44	89		93	358	99	178	15	302	458								2800	
		3" NPT - LH	8302-160-0016																						
		3" QR	8302-160-0060	3" (BSP)	75	200		89			93	358	99	178	15	302	458	12	102	19					28,00
	3" (BSP)	3" Flanged	8302-160-0040	3" (NPT)	75	200				67	93	269	99	155	15	325	481	15			29	175	209	6x Ø18	31,00
		3" BSP - RH	8302-260-0025	3" (BSP)	75	200	44	89			93	358	99	178	15	302	458								28,00
		3" BSP - LH	8302-260-0026																						
100	4" (NPT)	4" NPT - RH	8402-170-0017	4" (BSP)	100	256	45	115		113	440	126	178	16	368	550								65,00	
		4" NPT - LH	8402-170-0018																						
		4" QR	8402-170-0060	4" (NPT)	100	256		115			113	440	126	178	16	368	550	30	114	34					65,00
	4" (BSP)	4" Flanged	8402-170-0040	4" (NPT)	100	256				71	113	425	126	180	16	373	555	20			29	197	229	8x Ø18	72,00
		4" BSP - RH	8402-270-0027	4" (BSP)	100	256	45	115			113	440	126	178	16	368	550								65,00
		4" BSP - LH	8402-270-0028																						
4" (BSP)	4" QR	8402-270-0060	4" (BSP)	100	256		115			113	440	126	178	16	368	550	30	114	34					65,00	
	4" Flanged	8402-270-0040	4" (BSP)	100	256				71	113	425	126	180	16	373	555	20			29	197	229	8x Ø18	72,00	

8000 Series 2 1/2" (DN65) - 4" (DN100) Duo Flow Rotary Joints



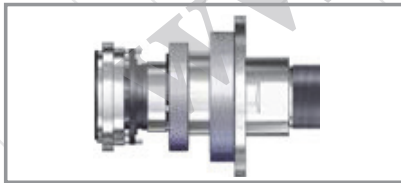
* Custom sized manufacturing are available.

Size DN	B	A	Model No Stationary Siphon	Model No Rotating Siphon (RSP)	J	C	K	G	D	E	F	P	V	H (1)	H (2)	M	N	O	I (1)	I (2)	S	L	T	R	W	Y	SxT	Kg		
65	1 1/2" (PN16)	2 1/2" NPT-RH	8252-433-1313	8252-433-4313	1 1/2"	2 1/2" (NPT)	1 1/2" (NPT)	65	180	30	70		78	208	153	90	130	15	326	506								27		
		2 1/2" NPT-LH	8252-433-1314	8252-433-4314																									27	
		2 1/2" QR	8252-433-4360	8252-433-4360	1 1/2"	2 1/2" (NPT)	1 1/2" (NPT)	65	180			70		78	208	153	90	130	15	326	506	10	82	16					27	
	1 1/2" (PN16)	2 1/2" Flanged	8252-433-4340	8252-433-4340	1 1/2"	2 1/2" (NPT)	1 1/2" (NPT)	65	180				60	78								12,5			25	145	179	4xØ18	32	
		2 1/2" BSP-RH	8252-433-2323	8252-433-4323																									27	
		2 1/2" QR	8252-433-2360	8252-433-4360	1 1/2"	2 1/2" (NPT)	1 1/2" (NPT)	65	180			70		78	208	153	90	130	15	326	506	10	82	16					27	
80	2" (PN16)	3" NPT - RH	8302-444-1415	8302-444-4415	2"	3" (NPT)	2" (NPT)	75	200	44	89		93	230	171	99	136	15	374	573									37	
		3" NPT - LH	8302-444-1416	8302-444-4416																										37
		3" QR	8302-444-1460	8302-444-4460	2"	3" (NPT)	2" (NPT)	75	200			89		93	230	171	99	136	15	374	573	12	102	19					37	
	2" (PN16)	3" Flanged	8302-444-1440	8302-444-4440	2"	3" (NPT)	2" (NPT)	75	200				67	93								15			29	175	209	6xØ18	42	
		3" BSP - RH	8302-444-2425	8302-444-4425																										37
		3" QR	8302-444-2460	8302-444-4460	2"	3" (NPT)	2" (NPT)	75	200			89		93	230	171	99	136	15	374	573	12	102	19					37	
100	2 1/2" (PN16)	4" NPT - RH	8402-455-1517	8402-455-4415	2 1/2"	4" (NPT)	2 1/2" (NPT)	100	256	45	115		113	293	195	126	160	16	482	596									74	
		4" NPT - LH	8402-455-1518	8402-455-4416																										74
		4" QR	8402-455-1560	8402-455-4560	2 1/2"	4" (NPT)	2 1/2" (NPT)	100	256			115		113	293	195	126	160	16	482	596	30	114	34					74	
	2 1/2" (PN16)	4" Flanged	8402-455-1540	8402-455-4540	2 1/2"	4" (NPT)	2 1/2" (NPT)	100	256				71	113								20			29	197	229	8xØ18	82	
		4" BSP - RH	8402-455-2527	8402-455-4527																										74
		4" QR	8402-455-2560	8402-455-4560	2 1/2"	4" (NPT)	2 1/2" (NPT)	100	256			115		113	293	195	126	160	16	482	596	30	114	34					74	
2 1/2" (PN16)	4" Flanged	8402-455-2540	8402-455-4540	2 1/2"	4" (NPT)	2 1/2" (NPT)	100	256				71	113								20			29	197	229	8xØ18	82		



Spare Part List

Product	8250	8300	8400
Cartridge	8250-C BSP-RH	8300-C BSP-RH	8400-C BSP-RH
	8250-C BSP-LH	8300-C BSP-LH	8400-C BSP-LH
	8250-C NPT-RH	8300-C NPT-RH	8400-C NPT-RH
	8250-C NPT-LH	8300-C NPT-LH	8400-C NPT-LH
	8250-C QR	8300-C QR	8400-C QR
T-1	8250-T1	8300-T1	8400-T1
T-2	8250-T2	8300-T2	8400-T2



Cartridge

- Shaft
- Front & Back Ball Bearing
- Front cover
- Separatix
- Ext.Ret.Ring
- Seal Ring & O-ring
- Monolithic & O-ring
- Housing flange & O-ring



T-1

- Seal Ring & O-ring
- Monolithic & O-ring
- Housing flange & O-ring
- Spring



T-2

- Seal Ring & O-ring
- Monolithic & O-ring