

## 3000 C SERIES ROTARY JOINT



**General Purpose**  
**Water, Hot Water**  
 3/4" (DN20) - 1" (DN25)

- Single and duoflow design
- Balanced mechanical seal
- Easy replacement of sealing parts
- For poor water quality
- Threaded, flanged shafts
- forged brass housing (MS58)
- Stainless steel shaft (AISI304)
- Silicon carbide sealing components
- Front dust cover
- Bronze bushing system (No lubricate)

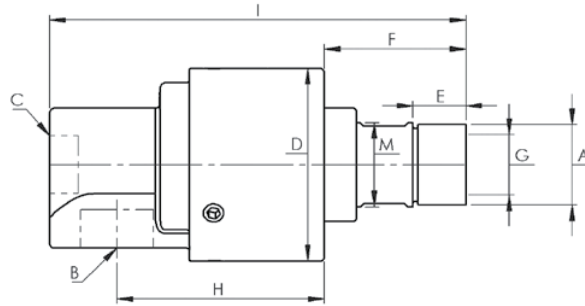
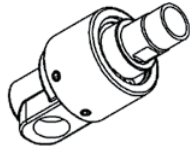
\*\*\* For further information please contact Rototech or local representative.

### Working Conditions

Max. Water Pressure & Temperature	:	50 bar - 60°C
Max. Hot Water Pressure & Temperature	:	5 bar - 90°C
Max. Speed / RPM	:	1/4" - 1/2"     3.500 rpm/min
	:	3/4" - 1"       3.000 rpm/min
	:	1 1/4" - 1 1/2"   2.750 rpm/min
	:	2"                1.250rpm/min



### 3000 C Series 3/4" (DN20) - 1" (DN25) Single Flow Rotary Joints



Threaded Shaft

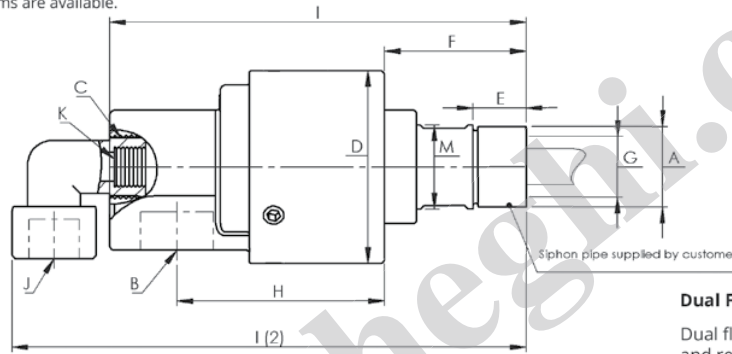
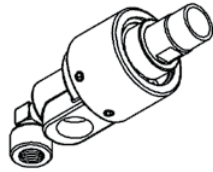
#### Single Flow Rotary Joint

Single flow joints are used when supply and return lines are connected to opposite side of the cylinder.

\* Using see page 28

### 3000 C Series 3/4" (DN20) - 1" (DN25) Duo Flow Rotary Joints

Siphon Systems (K):  
 Stationary and rotating siphon systems are available.



Threaded Shaft

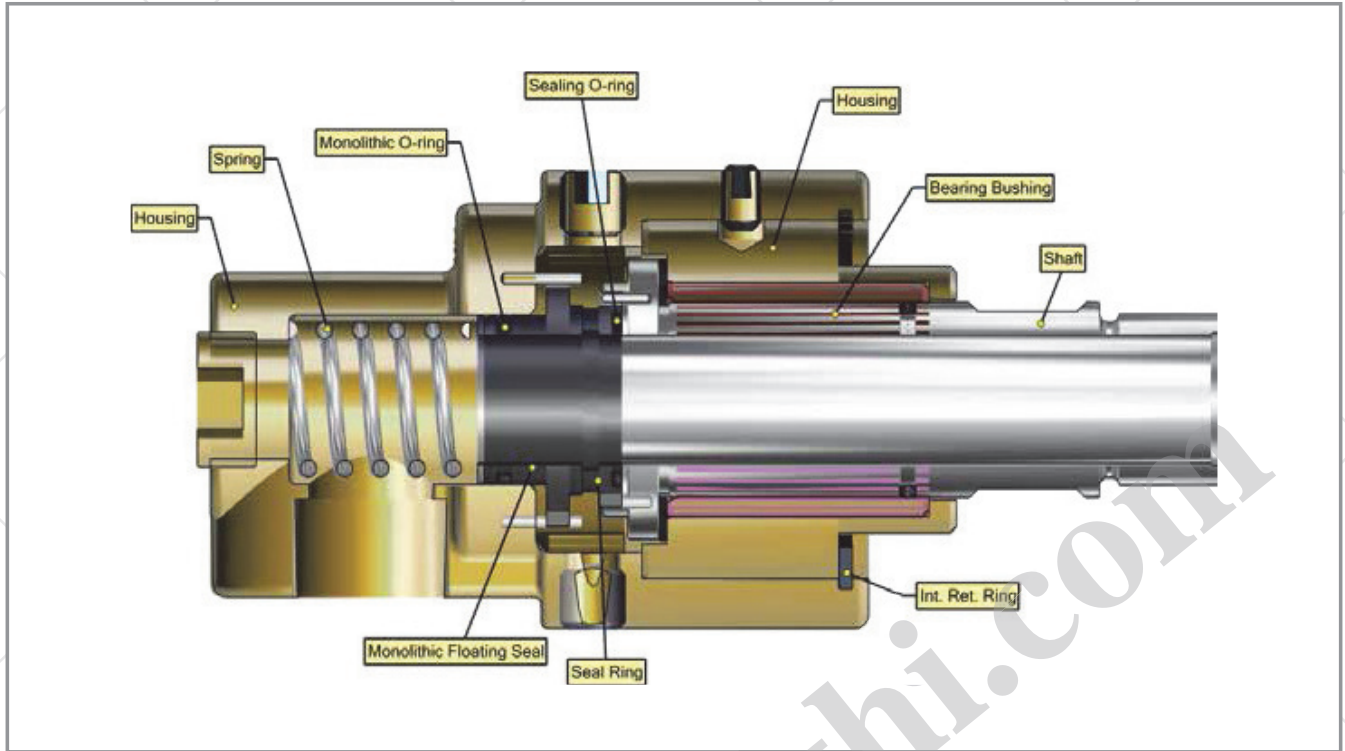
#### Dual Flow Rotary Joint

Dual flow joints are used when supply and return lines are connected to same side of the cylinder.

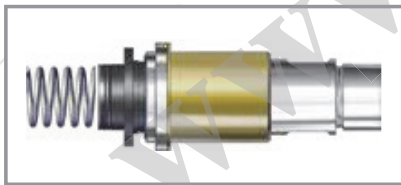
\* Using see page 28

\* Custom sized manufacturing are available

Size DN	Type	Model	B	C	D	A	J	K	E	F	G	H	M	L	I	I(2)	Kg
20	Mono	3075-336-108 C	3/4"	15	67	NPT-RH			17	53	20	76		30	154		2,15
		3075-336-109 C	3/4"	15	67	NPT-LH			17	53	20	76		30	154		2,15
		3075-336-208 C	3/4"	15	67	BSP-RH			17	53	20	76		30	154		2,15
		3075-336-209 C	3/4"	15	67	BSP-LH			17	53	20	76		30	154		2,15
	Dual	3075-336-108D C	3/4"	15	67	NPT-RH	1/2"	1/4"	17	53	20	76	33	30		189	2,15
		3075-336-109D C	3/4"	15	67	NPT-LH	1/2"	1/4"	17	53	20	76	33	30		189	2,15
		3075-336-208D C	3/4"	15	67	BSP-RH	1/2"	1/4"	17	53	20	76	33	30		189	2,15
		3075-336-209D C	3/4"	15	67	BSP-LH	1/2"	1/4"	17	53	20	76	33	30		189	2,15
25	Mono	3100-336-110 C	1"	20	73	NPT-RH			22	59	25	86		35	173		2,15
		3100-336-111 C	1"	20	73	NPT-LH			22	59	25	86		35	173		2,15
		3100-336-210 C	1"	20	73	BSP-RH			22	59	25	86		35	173		2,15
		3100-336-211 C	1"	20	73	BSP-LH			22	59	25	86		35	173		2,15
	Dual	3100-336-110D C	1"	20	73	NPT-RH	1/2"	3/8"	22	59	25	86	38	35		213	2,45
		3100-336-111D C	1"	20	73	NPT-LH	1/2"	3/8"	22	59	25	86	38	35		213	2,45
		3100-336-210D C	1"	20	73	BSP-RH	1/2"	3/8"	22	59	25	86	38	35		213	2,45
		3100-336-211D C	1"	20	73	BSP-LH	1/2"	3/8"	22	59	25	86	38	35		213	2,45

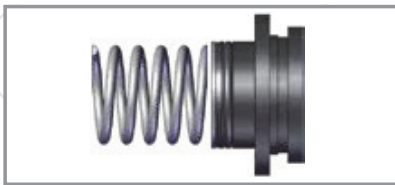


Model	3075 C	3100 C
Cartridge	3075C-C BSP-RH	3100C-C BSP-RH
	3075C-C BSP-LH	3100C-C BSP-LH
	3075C-C NPT-RH	3100C-C NPT-RH
	3075C-C NPT-LH	3100C-C NPT-LH
	3075C-C QR	3100C-C QR
T-1	3075C-336-1	3100C-336-1
T-2	3075C-336-2	3100C-336-2



#### Cartridge

- Shaft
- Int.Ret.Ring
- Seal Ring
- Seal O-Ring
- Monolithic
- Monolithic O-ring
- Spacer
- Spring



#### T-1

- Seal Ring
- Seal O-Ring
- Monolithic
- Monolithic O-ring
- Spacer
- Spring



#### T-2

- Seal Ring
- Seal O-Ring
- Monolithic
- Monolithic O-ring