

4000W SERIES ROTARY JOINT



WATER
1/2" (DN15) - 2" (DN50)

- Mono & duoflow
 - Nodular casting body
 - Carbon graphite sealing parts
 - Stainless steel shaft & flange
 - Stationary or rotating siphon system
- * For the cylinder water cooling in the hot environment on the high .

- Reheating furnace
- Continuous casting machine
- Billet transport roles

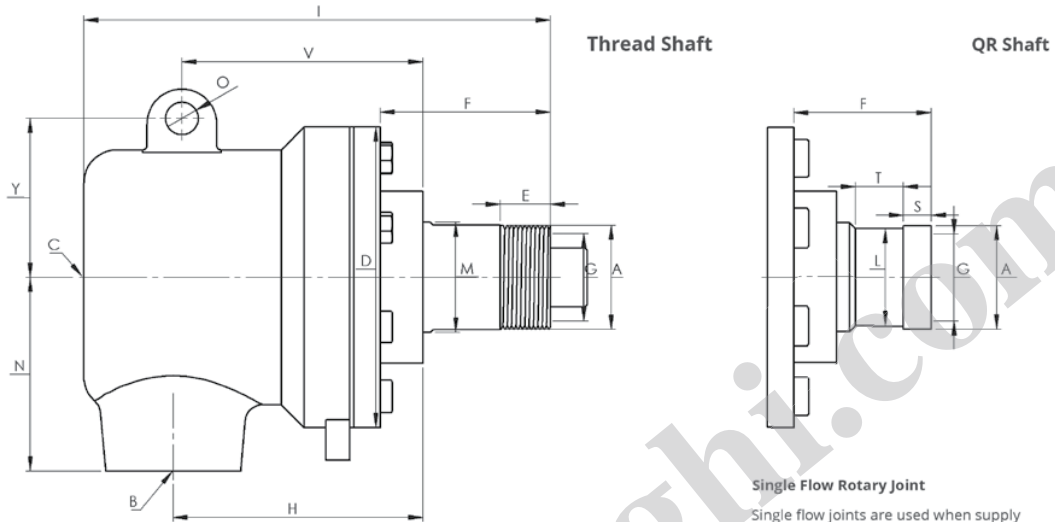
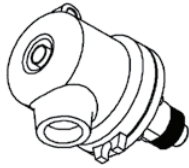
** For further information please contact Rototech or local representative.

Working Conditions

Max. Water Pressure	:	10,5 Bar
Max. Water Temperature	:	200°
Max. Speed	:	400 rpm/min



4000 W Series 1/2" (DN15) - 2" (DN50) Single Flow Rotary Joints



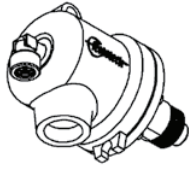
Single Flow Rotary Joint

Single flow joints are used when supply and return lines are connected to opposite sides of the cylinder.

*Custom sized manufacturing are available.

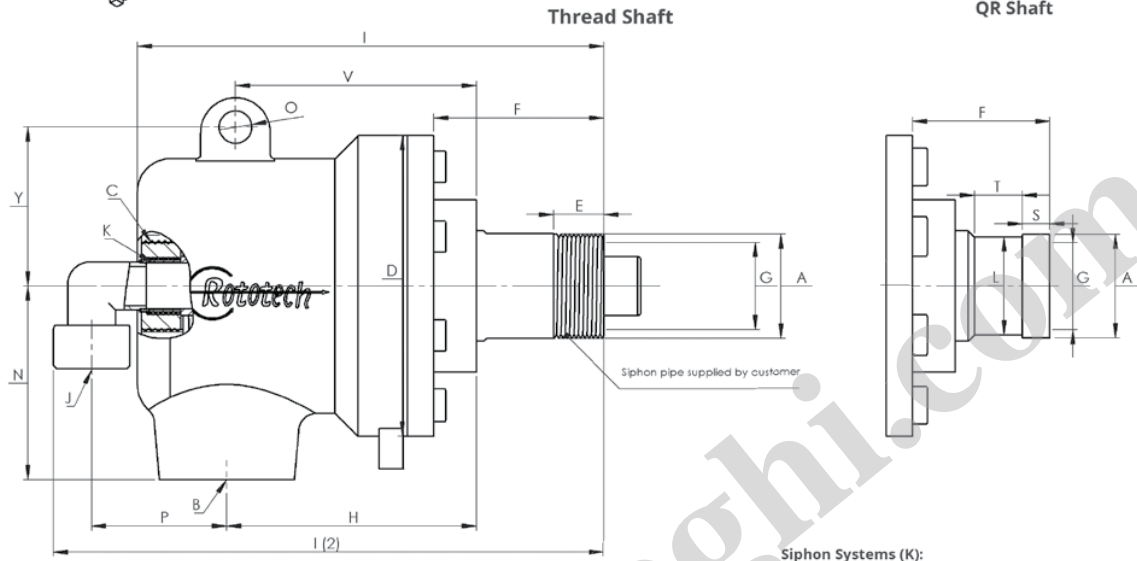
Size DN	B	4000 Model No	A	C	D	F	E	G	H	I	Y	N	O	S	T	L	V	Kg
15	1/2"	4050-110-106W	1/2" NPT - RH	3/8"	92	58	18	15	73	143	42	53,50	12				70	2,07
		4050-110-107W	1/2" NPT - LH															
		4050-210-206W	1/2" BSP - RH															
		4050-210-207W	1/2" BSP - LH															
		4050-210-100W	QR															
20	3/4"	4075-110-108W	3/4" NPT - RH	1/2"	92	61	20	20	77,50	155	44,50	60	12				77,50	2,54
		4075-110-109W	3/4" NPT - LH															
		4075-210-208W	3/4" BSP - RH															
		4075-210-209W	3/4" BSP - LH															
		4075-210-100W	QR															
25	1"	4100-110-110W	1" NPT - RH	3/4"	98	64	20	25	87	167	48	67	12				84,50	3,30
		4100-110-111W	1" NPT - LH															
		4100-210-210W	1" BSP - RH															
		4100-210-211W	1" BSP - LH															
		4100-210-100W	QR															
32	1 1/4"	4125-110-112W	1 1/4" NPT - RH	1"	110	72	23	32	95,50	189	59	76	15				94	4,61
		4125-110-113W	1 1/4" NPT - LH															
		4125-210-212W	1 1/4" BSP - RH															
		4125-210-213W	1 1/4" BSP - LH															
		4125-210-100W	QR															
40	1 1/2"	4150-110-114W	1 1/2" NPT - RH	1 1/4"	138	68	22	40	108	202	73,50	89	15				104	7,45
		4150-110-115W	1 1/2" NPT - LH															
		4150-210-214W	1 1/2" BSP - RH															
		4150-210-215W	1 1/2" BSP - LH															
		4150-210-100W	QR															
50	2"	4200-110-116W	2" NPT - RH	1 1/2"	158	79	25	50	122	240	79	102	16				126	12,50
		4200-110-117W	2" NPT - LH															
		4200-210-216W	2" BSP - RH															
		4200-210-217W	2" BSP - LH															
		4200-210-100W	QR															

4000 W Series 1/2" (DN15) - 2" (DN50) Duo Flow Rotary Joints



Duo Flow Rotary Joint

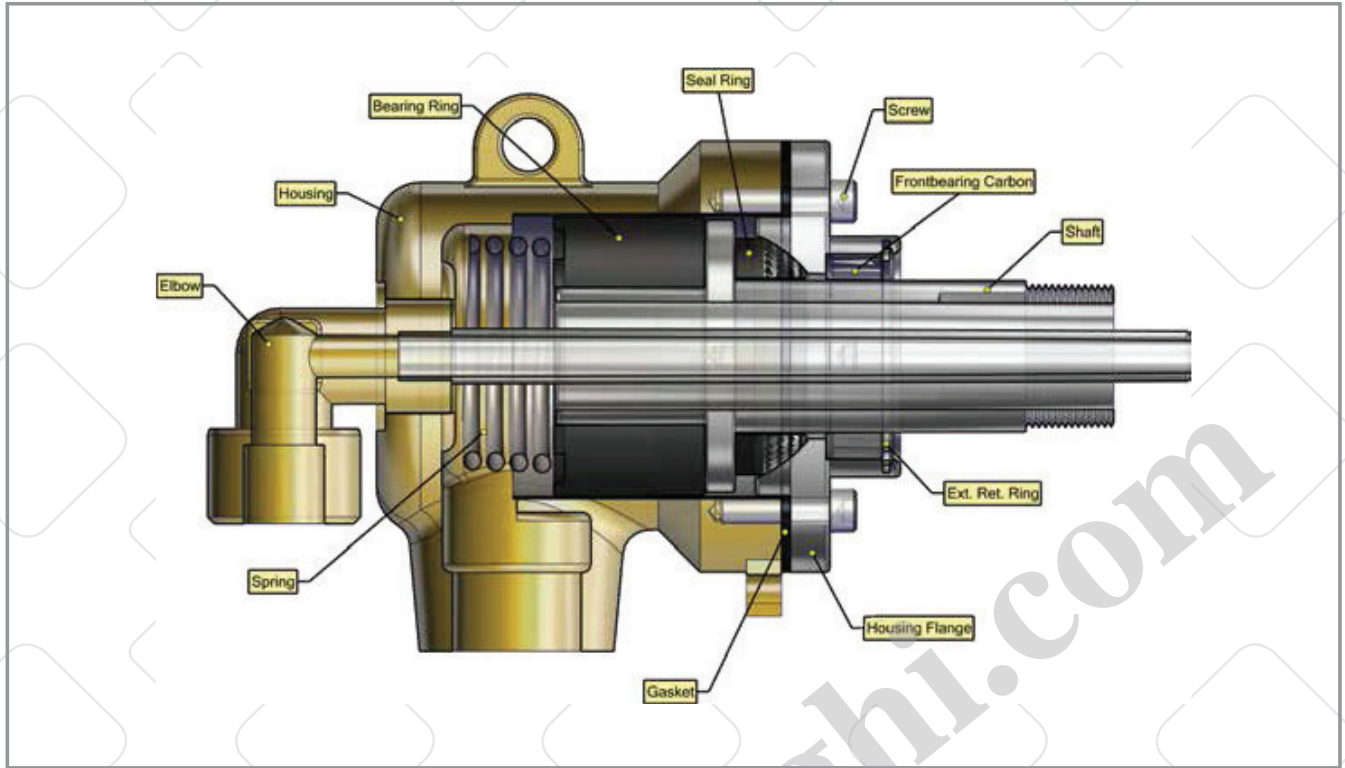
Dual flow joints are used when supply and return lines are connected to same sides of the cylinder.



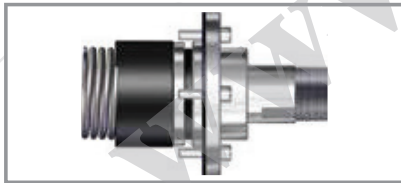
Siphon Systems (K):
 Stationary and rotating siphon systems are available.

*Custom sized manufacturing are available.

Size DN	B	4000 Model No	A	C	K	J	D	F	E	G	H	I	I(2)	Y	N	P	O	S	T	L	V	Kg		
15	1/2"	4050-110-106WD	1/2" NPT - RH																					
		4050-110-107WD	1/2" NPT - LH	3/8"	1/4"	3/8"	92	58	18	15	73	143	174	42	53,50	46	12					70	2,17	
		4050-210-206WD	1/2" BSP - RH																					
		4050-210-207WD	1/2" BSP - LH	3/8"	1/4"	3/8"	92	58		15	73	143	174	42	53,50	46	12	6	11	22		70	2,17	
		4050-210-100WD	QR																					
20	3/4"	4075-110-108WD	3/4" NPT - RH																					
		4075-110-109WD	3/4" NPT - LH	1/2"	1/4"	3/8"	92	61	20	20	77,50	155	188	44,50	60	50,50	12					77,50	2,64	
		4075-210-208WD	3/4" BSP - RH																					
		4075-210-209WD	3/4" BSP - LH	1/2"	1/4"	3/8"	92	61		20	77,50	155	188	44,50	60	50,50	12	8	13	28		77,50	2,64	
		4075-210-100WD	QR																					
25	1"	4100-110-110WD	1" NPT - RH																					
		4100-110-111WD	1" NPT - LH	3/4"	3/8"	1/2"	98	64	20	25	87	167	206	48	67	53	12					84,50	3,40	
		4100-210-210WD	1" BSP - RH																					
		4100-210-211WD	1" BSP - LH	3/4"	3/8"	1/2"	98	64		25	87	167	206	48	67	53	12	8	13	33		84,50	3,40	
		4100-210-100WD	QR																					
32	1 1/4"	4125-110-112WD	1 1/4" NPT - RH																					
		4125-110-113WD	1 1/4" NPT - LH	1"	1/2"	1/2"	110	72	23	32	95,50	189	232	59	76	62,50	15					94	4,76	
		4125-210-212WD	1 1/4" BSP - RH																					
		4125-210-213WD	1 1/4" BSP - LH	1"	1/2"	1/2"	110	71		32	95,50	188	230	59	76	62,50	15	8	13	43		94	4,76	
		4125-210-100WD	QR																					
40	1 1/2"	4150-110-114WD	1 1/2" NPT - RH																					
		4150-110-115WD	1 1/2" NPT - LH	1 1/4"	3/4"	3/4"	138	68	22	40	108	202	241	73,50	89	62	15					104	7,58	
		4150-210-214WD	1 1/2" BSP - RH																					
		4150-210-215WD	1 1/2" BSP - LH	1 1/4"	3/4"	3/4"	138	68		40	108	202	240	73,50	89	62	15	10	16	48		104	7,58	
		4150-210-100WD	QR																					
50	2"	4200-110-116WD	2" NPT - RH																					
		4200-110-117WD	2" NPT - LH	1 1/2"	1"	1"	158	79	25	50	122	240	293	79	102	82	16					126	12,84	
		4200-210-216WD	2" BSP - RH																					
		4200-210-217WD	2" BSP - LH	1 1/2"	1"	1"	158	79		50	122	240	293	79	102	82	16	10	16	63		126	12,84	
		4200-210-100WD	QR																					



UNIT	4050W	4075W	4100W	4125W	4150W	4200W
Cartridge	4050W-C BSP - RH	4075W-C BSP - RH	4100W-C BSP - RH	4125W-C BSP - RH	4150W-C BSP - RH	4200W-C BSP - RH
	4050W-C BSP - LH	4075W-C BSP - LH	4100W-C BSP - LH	4125W-C BSP - LH	4150W-C BSP - LH	4200W-C BSP - LH
	4050W-C NPT - RH	4075W-C NPT - RH	4100W-C NPT - RH	4125W-C NPT - RH	4150W-C NPT - RH	4200W-C NPT - RH
	3025W-C NPT-LH	4075W-C NPT - LH	4100W-C NPT - LH	4125W-C NPT - LH	4150W-C NPT - LH	4200W-C NPT - LH
	4050W-C QR	4075W-C QR	4100W-C QR	4125W-C QR	4150W-C QR	4200W-C QR
T-1	4050W-T2	4075W-T2	4100W-T2	4125W-T2	4150W-T2	4200W-T2
T-2	4050W-T3	4075W-T3	4100W-T3	4125W-T3	4150W-T3	4200W-T3



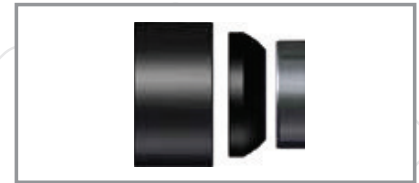
Cartridge

- Shaft
- Cover (AISI304)
- Gasket
- Front Bearing Carbon
- Ext.Ret. Ring
- Seal Ring
- Bearing Ring
- Spring
- Screw



T-1

- Gasket
- Front Bearing Carbon
- Seal Ring
- Bearing Ring
- Spring



T-2

- Front Bearing Carbon
- Seal Ring
- Bearing Ring