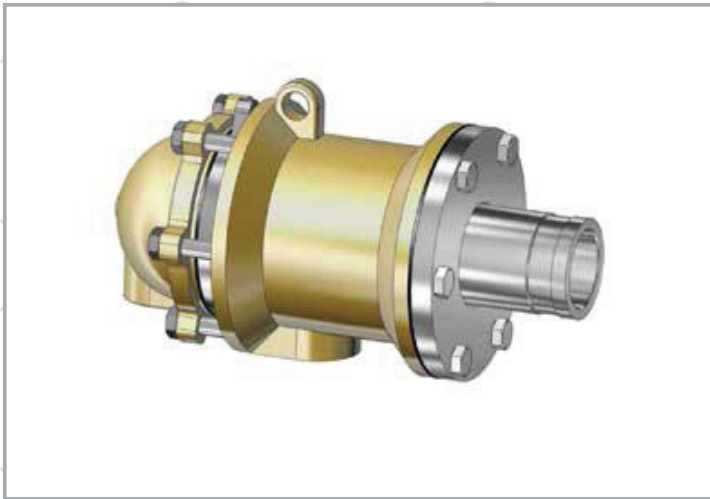


9000 R SERIES ROTARY JOINTS



STEAM, HOT WATER
1" (DN25) - 4" (DN100)

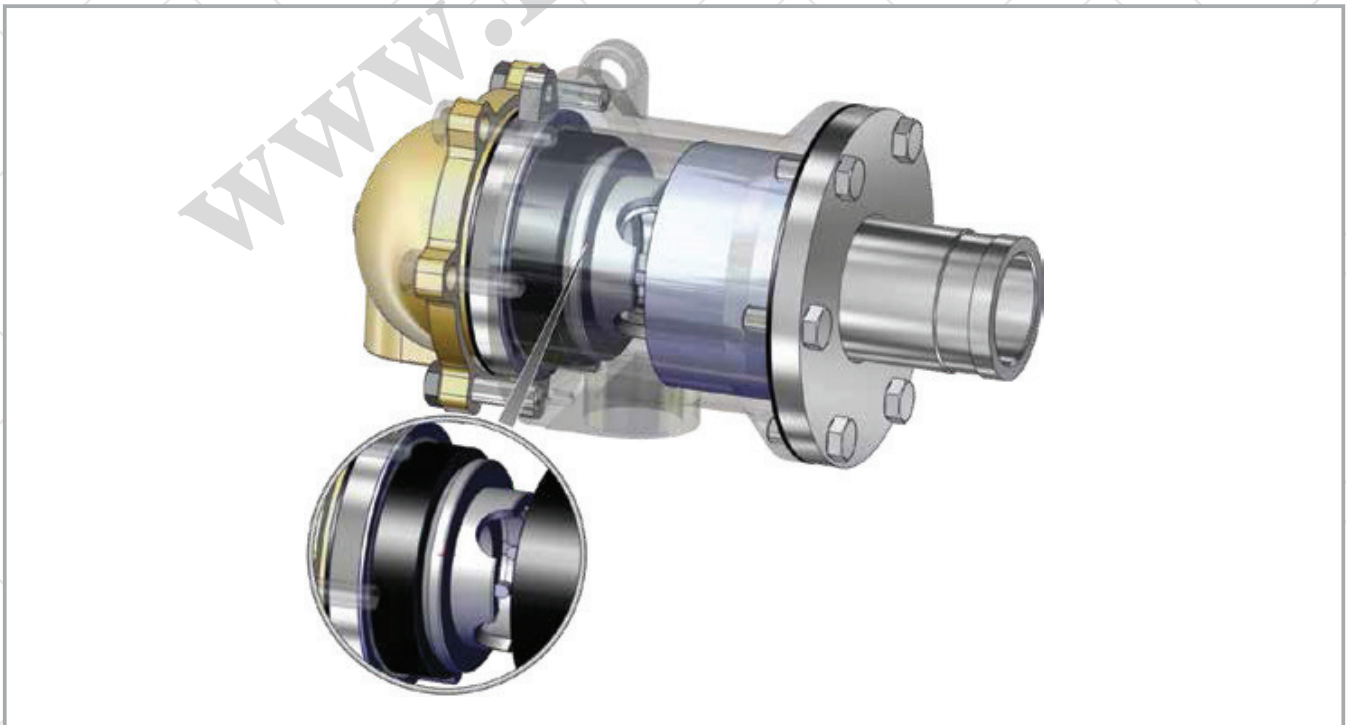
- Mono & duoflow
- Nodular casting body
- Carbon graphite sealing parts
- Stainless steel shaft & flange
- Stationary or rotating siphon system

*** For further information please contact Rototech or local representative.

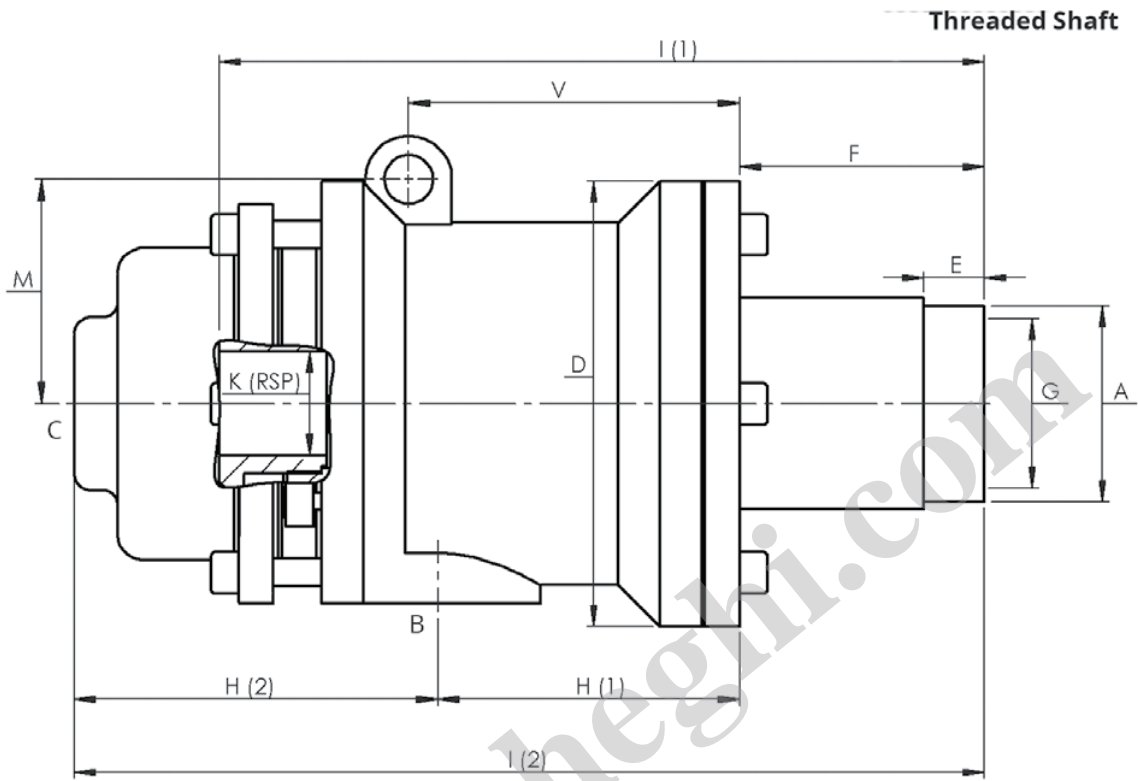
*** No dry run!

Working Conditions

Max. Steam Pressure	:	17 Bar
Max. Steam Temperature	:	200 °C
Max. Speed / RPM	:	250 rpm/min



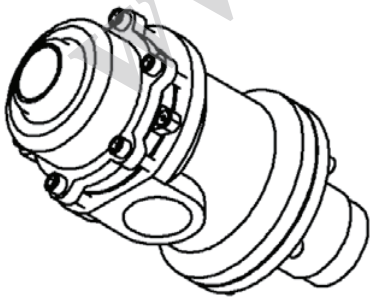
9000 T Series (Type 1) 1" (DN25) - 4" (DN100) Duo Flow Rotary Joints



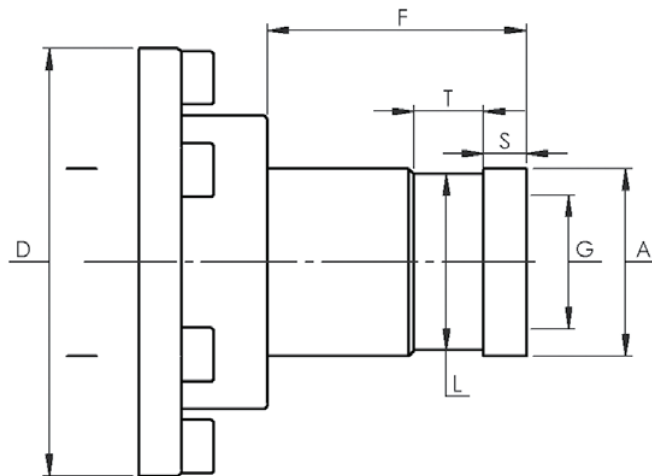
Duo Flow Rotary Joints

Dual flow joints are used when supply and return lines are connected to same sides of the cylinder.

* Using see page 36



QR Shaft

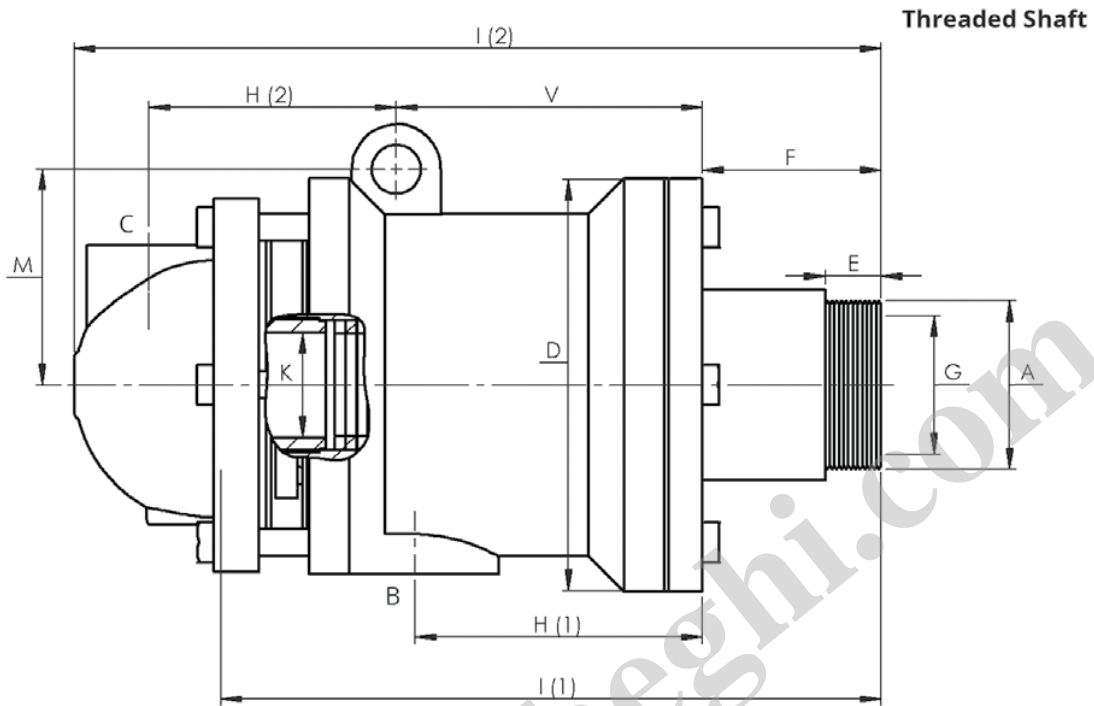


* Custom sized manufacturing are available.

9000 T TYPE 1 ROTATING SIPHON (RSP) DUAL

Size DN	B	A	Model No	C	K	G	D	E	F	V	H(1)	H(2)	M	S	T	L	I(1)	I(2)	Kg	
25	3/4"	1" NPT - RH	T9104-1107-0704-10	3/4"	19	25	108	20	51	88	79	79	57				180	208	4,75	
		1" NPT - LH	T9104-1107-0704-20																	
		1" QR	T9104-1107-0704-70	3/4"	19	25	108		51	88	79	79	57	8	13	33	180	208	4,75	
		1" BSP - RH	T9104-1207-0704-30	3/4"	19	25	108	20	51	88	79	79	57					180	208	4,75
		1" BSP - LH	T9104-1207-0704-40																	
				1" QR	T9104-1207-0704-70	3/4"	19	25	108		51	88	79	79	57	8	13	33	180	208
32	1"	1 1/4" NPT - RH	T9124-1110-1005-10	1"	25	32	116	23	57	96	88	88	64				203	230	6,00	
		1 1/4" NPT - LH	T9124-1110-1005-20																	
		1 1/4" QR	T9124-1110-1005-70	1"	25	32	116		57	96	88	88	64	8	13	43	203	230	6,00	
		1 1/4" BSP - RH	T9124-1210-1005-30	1"	25	32	116	23	57	96	88	88	64					203	230	6,00
		1 1/4" BSP - LH	T9124-1210-1005-40																	
				1 1/4" QR	T9124-1210-1005-70	1"	25	32	116		57	96	88	88	64	8	13	43	203	230
40	1 1/4"	1 1/2" NPT - RH	T9154-1112-1205-10	1"	25	40	152	23	71	111	100	99	79				234	270	11,50	
		1 1/2" NPT - LH	T9154-1112-1205-20																	
		1 1/2" QR	T9154-1112-1205-70	1"	25	40	152		71	111	100	99	79	10	16	48	234	270	11,50	
		1 1/2" BSP - RH	T9154-1212-1205-30	1"	25	40	152	23	71	111	100	99	79					234	270	11,50
		1 1/2" BSP - LH	T9154-1212-1205-40																	
				1 1/2" QR	T9154-1212-1205-70	1"	25	40	152		71	111	100	99	79	10	16	48	234	270
50	1 1/2"	2" NPT - RH	T9204-1115-1207-10	1 1/4"	40	50	162	25	72	125	110	115	83				259	297	13,00	
		2" NPT - LH	T9204-1115-1207-20																	
		2" QR	T9204-1115-1207-70	1 1/4"	40	50	162		72	125	110	115	83	10	16	63	259	297	13,00	
		2" BSP - RH	T9204-1215-1207-30	1 1/4"	40	50	162	25	72	125	110	115	83					259	297	13,00
		2" BSP - LH	T9204-1215-1207-40																	
				2" QR	T9204-1215-1207-70	1 1/4"	40	50	162		72	125	110	115	83	10	16	63	259	297
65	2"	2 1/2" NPT - RH	T9254-1120-1508-10	1 1/2"	45	62	185	25	79	137	129	132	97				296	340	23,50	
		2 1/2" NPT - LH	T9254-1120-1508-20																	
		2 1/2" QR	T9254-1120-1508-70	1 1/2"	45	62	185		79	137	129	132	97	19	29	69	296	340	23,50	
		2 1/2" BSP - RH	T9254-1220-1508-30	1 1/2"	45	62	185	25	79	137	129	132	97					296	340	23,50
		2 1/2" BSP - LH	T9254-1220-1508-40																	
				2 1/2" QR	T9254-1220-1508-70	1 1/2"	45	62	185		79	137	129	132	97	19	29	69	296	340
80	2 1/2"	3" NPT - RH	T9304-1125-2008-10	2"	45	73	200	30	96	150	141	141	104				332	377	31,00	
		3" NPT - LH	T9304-1125-2008-20																	
		3" QR	T9304-1125-2008-70	2"	45	73	200		96	150	141	141	104	22	31	84	332	377	31,00	
		3" BSP - RH	T9304-1225-2008-30	2"	45	73	200	30	96	150	141	141	104					332	377	31,00
		3" BSP - LH	T9304-1225-2008-40																	
				3" QR	T9304-1225-2008-70	2"	45	73	200		96	150	141	141	104	22	31	84	332	377
100	3"	4" NPT - RH	T9400-1130-2509-10	2 1/2"	60	98	257	35	141	191	174	210	130				441	525	57,00	
		4" NPT - LH	T9400-1130-2509-20																	
		4" QR	T9400-1130-2509-70	2 1/2"	60	98	257		141	191	174	210	130	12	22	110	441	525	57,00	
		4" BSP - RH	T9400-1230-2509-30	2 1/2"	60	98	257	35	141	191	174	210	130					441	525	57,00
		4" BSP - LH	T9400-1230-2509-40																	
				4" QR	T9400-1230-2509-70	2 1/2"	60	98	257		141	191	174	210	130	12	22	110	441	525

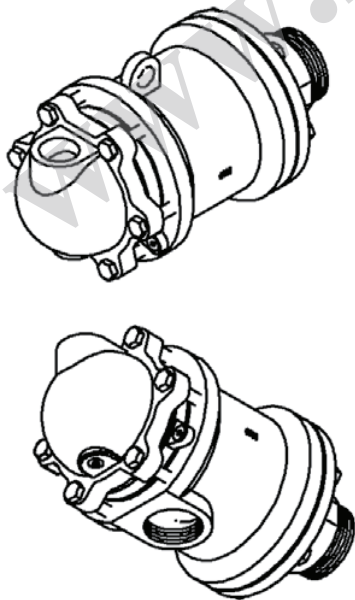
9000 T Series (Type 2) 1" (DN25) - 4" (DN100) Duo Flow Rotary Joints



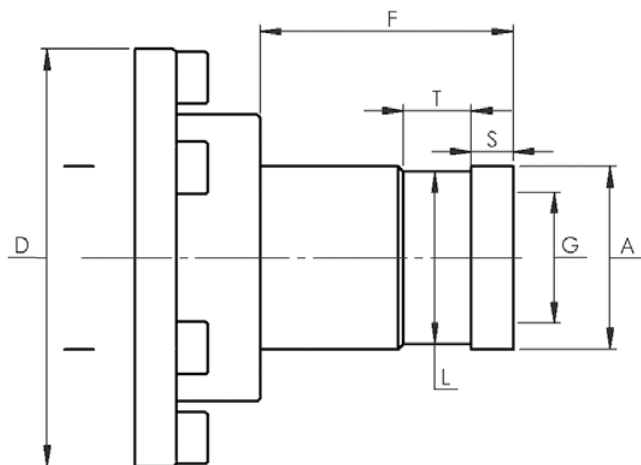
Duo Flow Rotary Joints

Dual flow joints are used when supply and return lines are connected to same sides of the cylinder.

* Using see page 36



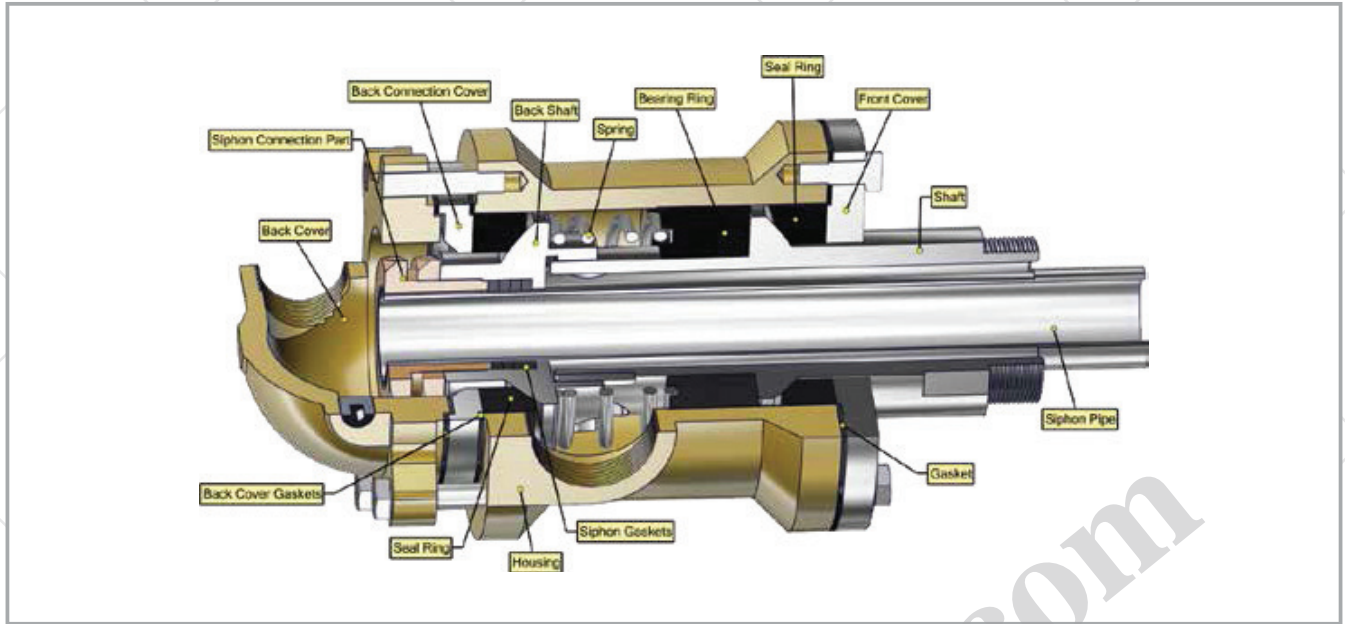
QR Shaft



* Custom sized manufacturing are available.

9000 T TYPE 2 ROTATING SIPHON (RSP) DUAL FLOW

Size DN	B	A	Model No	C	K	G	D	E	F	V	H(1)	H(2)	M	S	T	L	I(1)	I(2)	Kg	
25	3/4"	1" NPT - RH	T9104-2107-0704-10	1/2"	19	25	108	20	51	88	79	72	57				180	221	4,50	
		1" NPT - LH	T9104-2107-0704-20																	
		1" QR	T9104-2107-0704-70	1/2"	19	25	108		51	88	79	72	57	8	13	33	180	221	4,50	
		1" BSP - RH	T9104-2207-0704-30	1/2"	19	25	108	20	51	88	79	72	57					180	221	4,50
		1" BSP - LH	T9104-2207-0704-40																	
				1" QR	T9104-2207-0704-70	1/2"	19	25	108		51	88	79	72	57	8	13	33	180	221
32	1"	1 1/4" NPT - RH	T9124-2110-1005-10	3/4"	25	32	116	23	57	96	88	76	64				203	242	6,50	
		1 1/4" NPT - LH	T9124-2110-1005-20																	
		1 1/4" QR	T9124-2110-1005-70	3/4"	25	32	116		57	96	88	76	64	8	13	43	203	242	6,50	
		1 1/4" BSP - RH	T9124-2210-1005-30	3/4"	25	32	116	23	57	96	88	76	64					203	242	6,50
		1 1/4" BSP - LH	T9124-2210-1005-40																	
				1 1/4" QR	T9124-2210-1005-70	3/4"	25	32	116		57	96	88	76	64	8	13	43	203	242
40	1 1/4"	1 1/2" NPT - RH	T9154-2112-1205-10	1"	25	40	152	23	71	111	100	89	79				234	289	12,00	
		1 1/2" NPT - LH	T9154-2112-1205-20																	
		1 1/2" QR	T9154-2112-1205-70	1"	25	40	152		71	111	100	89	79	10	16	48	234	289	12,00	
		1 1/2" BSP - RH	T9154-2212-1205-30	1"	25	40	152	23	71	111	100	89	79					234	289	12,00
		1 1/2" BSP - LH	T9154-2212-1205-40																	
				1 1/2" QR	T9154-2212-1205-70	1"	25	40	152		71	111	100	89	79	10	16	48	234	289
50	1 1/2"	2" NPT - RH	T9204-2115-1207-10	1 1/4"	40	50	162	25	72	125	110	102	83				259	316	14,00	
		2" NPT - LH	T9204-2115-1207-20																	
		2" QR	T9204-2115-1207-70	1 1/4"	40	50	162		72	125	110	102	83	10	16	63	259	316	14,00	
		2" BSP - RH	T9204-2215-1207-30	1 1/4"	40	50	162	25	72	125	110	102	83					259	316	14,00
		2" BSP - LH	T9204-2215-1207-40																	
				2" QR	T9204-2215-1207-70	1 1/4"	40	50	162		72	125	110	102	83	10	16	63	259	316
65	2"	2 1/2" NPT - RH	T9254-2120-1508-10	1 1/2"	43	62	185	25	79	137	129	119	97				296	379	23,00	
		2 1/2" NPT - LH	T9254-2120-1508-20																	
		2 1/2" QR	T9254-2120-1508-70	1 1/2"	43	62	185		79	137	129	119	97	19	29	69	296	379	23,00	
		2 1/2" BSP - RH	T9254-2220-1508-30	1 1/2"	43	62	185	25	79	137	129	119	97					296	379	23,00
		2 1/2" BSP - LH	T9254-2220-1508-40																	
				2 1/2" QR	T9254-2220-1508-70	1 1/2"	43	62	185		79	137	129	119	97	19	29	69	296	379
80	2 1/2"	3" NPT - RH	T9304-2125-2008-10	2"	47	73	200	30	96	150	141	130	104				332	403	30,00	
		3" NPT - LH	T9304-2125-2008-20																	
		3" QR	T9304-2125-2008-70	2"	47	73	200		96	150	141	130	104	22	31	84	332	403	30,00	
		3" BSP - RH	T9304-2225-2008-30	2"	47	73	200	30	96	150	141	130	104					332	403	30,00
		3" BSP - LH	T9304-2225-2008-40																	
				3" QR	T9304-2225-2008-70	2"	47	73	200		96	150	141	130	104	22	31	84	332	403
100	3"	4" NPT - RH	T9400-2130-2509-10	2"	60	98	257	35	141	191	174	156	130				441	520	55,00	
		4" NPT - LH	T9400-2130-2509-20																	
		4" QR	T9400-2130-2509-70	2"	60	98	257		141	191	174	156	130	12	22	110	441	520	55,00	
		4" BSP - RH	T9400-2230-2509-30	2"	60	98	257	35	141	191	174	156	130					441	520	55,00
		4" BSP - LH	T9400-2230-2509-40																	
				4" QR	T9400-2230-2509-70	2"	60	98	257		141	191	174	156	130	12	22	110	441	520



9000 T Series Spare Part List

Product	T 9250	T 9300	T 9400
Cartridge	T9250-C- BSP RH	T9300-C BSP-RH	T9400-C BSP-RH
	T9250-C BSP-LH	T9300-C BSP-LH	T9400-C BSP-LH
	T9250-C NPT-RH	T9300-C NPT-RH	T9400-C NPT-RH
	T9250-C NPT-LH	T9300-C NPT-LH	T9400-C NPT-LH
	T9250-C QR	T9300-C QR	T9400-C QR
T-1	T9250-T1	T9300-T1	T9400-T1
T-2	T9250-T2	T9300-T2	T9400-T2

