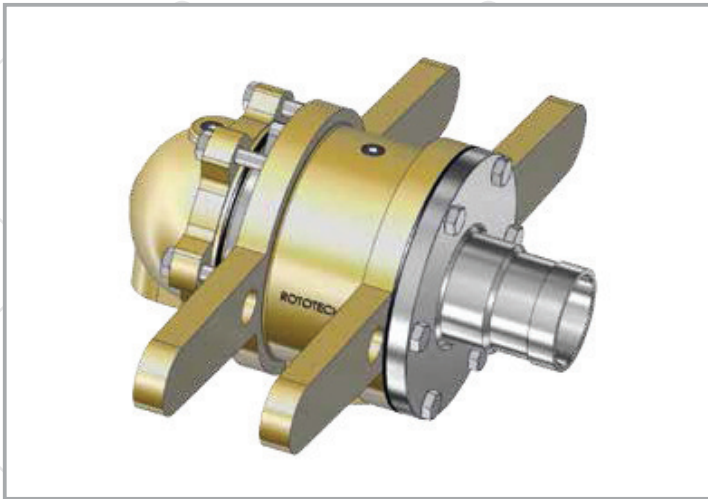


9000 R SERIES ROTARY JOINTS



STEAM, HOT WATER
1" (DN25) - 4" (DN100)

- Mono & duoflow
- Nodular casting body
- Carbon graphite sealing parts
- Stainless steel shaft & flange
- Stationary or rotating siphon system

*** For further information please contact Rototech or local representative.

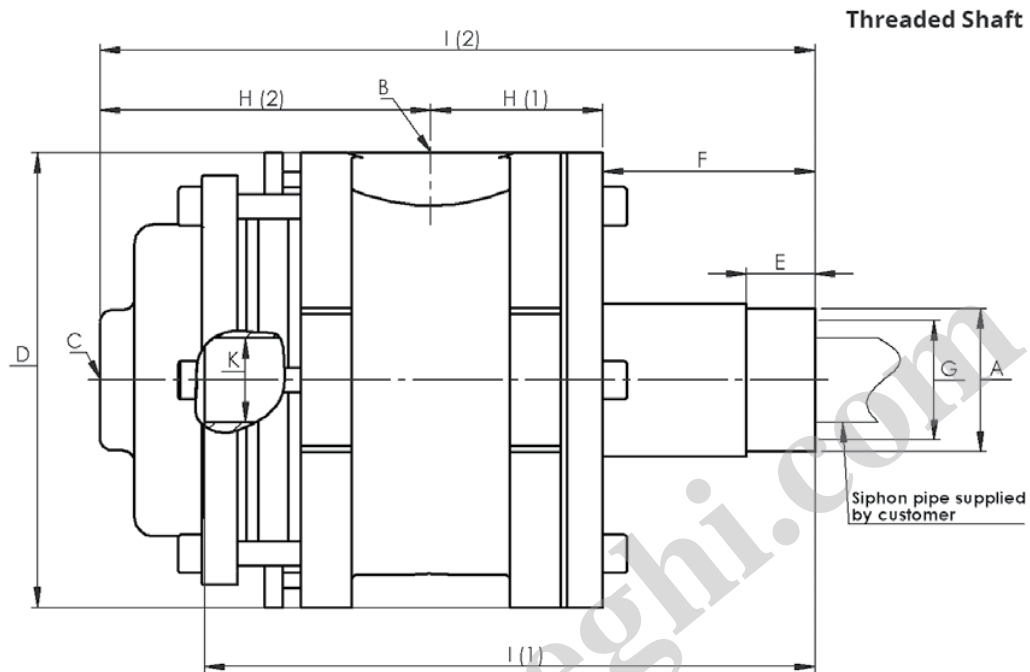
*** No dry run!

Working Conditions

Max. Steam Pressure	:	17 Bar
Max. Steam Temperature	:	200 °C
Max. Speed / RPM	:	250 rpm/min



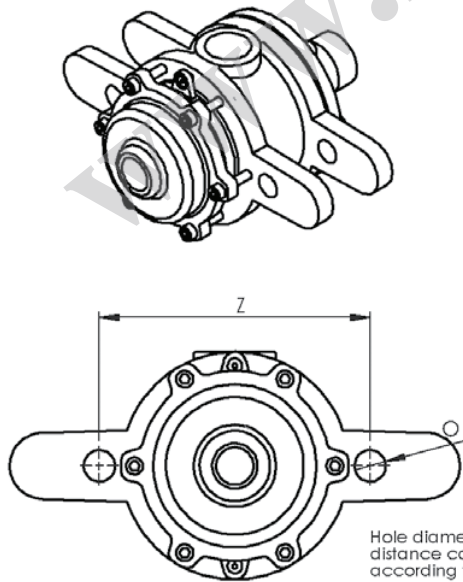
9000 R Series (Type 1) 1" (DN25) - 4" (DN100) Duo Flow Rotary Joints



Duo Flow Rotary Joints

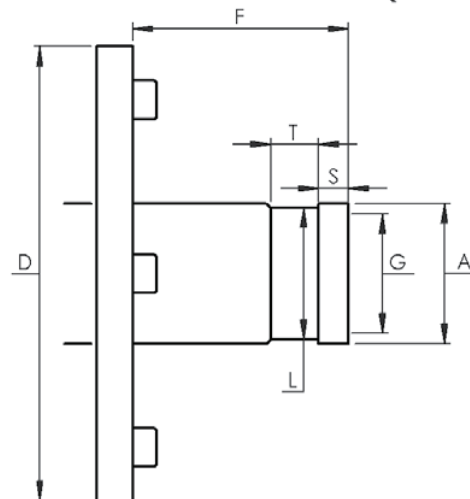
Dual flow joints are used when supply and return lines are connected to same sides of the cylinder.

* Using see page 36



Hole diameter and it's distance can be revise according to your system.

QR Shaft

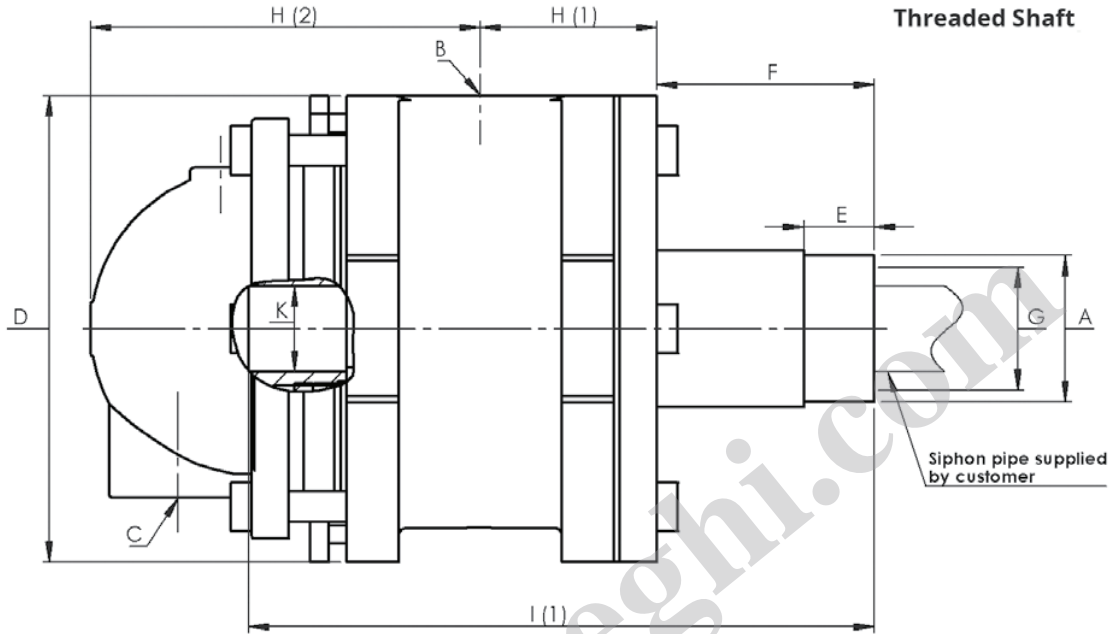


* Custom sized manufacturing are available.

9000 R SERIES TYPE 1 STATIONARY & ROTATING SIPHON LIST

Size DN	B	A	Model No Stationary Siphon (S)	Model No Rotating Siphon (RSP)	C	K	G	D	E	F	H	H (2)	T	S	L	O	Z	I	I (2)	Kg	
25	3/4"	1" NPT - RH	R9100-1107-0504-10	R9100-4107-0504-10	3/4"	12	25	108	20	51	45	83				13	124	152	178	5,00	
		1" NPT - LH	R9100-1107-0504-20	R9100-4107-0504-20																	
		1" QR	R9100-1107-0504-70	R9100-4107-0504-70	3/4"	12	25	108		51	45	83	13	8	33	13	124	152	178	5,00	
		1" BSP - RH	R9100-1207-0504-30	R9100-4207-0504-30	3/4"	12	25	108	20	51	45	83					13	124	152	178	5,00
		1" BSP - LH	R9100-1207-0504-40	R9100-4207-0504-40																	
		1" QR	R9100-1207-0504-70	R9100-4207-0504-70	3/4"	12	25	108		51	45	83	13	8	33	13	124	152	178	5,00	
32	1"	1 1/4" NPT-RH	R9120-1110-0705-10	R9120-4110-0705-10	1"	20	32	116	23	57	49	95				13	130	173	200	6,50	
		1 1/4" NPT-LH	R9120-1110-0705-20	R9120-4110-0705-20																	
		1 1/4" QR	R9120-1110-0705-70	R9120-4110-0705-70	1"	20	32	116		57	49	95	19	13	40	13	130	173	200	6,50	
		1 1/4" BSP-RH	R9120-1210-0705-30	R9120-4210-0705-30	1"	20	32	116	23	57	49	95					13	130	173	200	6,50
		1 1/4" BSP-LH	R9120-1210-0705-40	R9120-4210-0705-40																	
		1 1/4" QR	R9120-1210-0705-70	R9120-4210-0705-70	1"	20	32	116		57	49	95	19	13	40	13	130	173	200	6,50	
40	1 1/4"	1 1/2" NPT-RH	R9150-1112-0707-10	R9150-4112-0707-10	1 1/4"	25	40	152	23	71	58	111				22	205	204	239	11,50	
		1 1/2" NPT-LH	R9150-1112-0707-20	R9150-4112-0707-20																	
		1 1/2" QR	R9150-1112-0707-70	R9150-4112-0707-70	1 1/4"	25	40	152		71	58	111	16	10	48	22	205	204	239	11,50	
		1 1/2" BSP-RH	R9150-1212-0707-30	R9150-4212-0707-30	1 1/4"	25	40	152	23	71	58	111					22	205	204	239	11,50
		1 1/2" BSP-LH	R9150-1212-0707-40	R9150-4212-0707-40																	
		1 1/2" QR	R9150-1212-0707-70	R9150-4212-0707-70	1 1/4"	25	40	152		71	58	111	16	10	48	22	205	204	239	11,50	
50	1 1/2"	2" NPT - RH	R9200-1115-1010-10	R9200-4115-1010-10	1 1/4"	40	50	162	25	72	67	127				21	197	230	266	17,00	
		2" NPT - LH	R9200-1115-1010-20	R9200-4115-1010-20																	
		2" QR	R9200-1115-1010-70	R9200-4115-1010-70	1 1/4"	40	50	162		72	67	127	16	10	63	21	197	230	266	17,00	
		2" BSP - RH	R9200-1215-1010-30	R9200-4215-1010-30	1 1/4"	40	50	162	25	72	67	127					21	197	230	266	17,00
		2" BSP - LH	R9200-1215-1010-40	R9200-4215-1010-40																	
		2" QR	R9200-1215-1010-70	R9200-4215-1010-70	1 1/4"	40	50	162		72	67	127	16	10	63	21	197	230	266	17,00	
65	2"	2 1/2" NPT-RH	R9250-1120-1010-10	R9250-4120-1010-10	1 1/2"	45	65	185	25	82	74	142				27	464	254	298	26,00	
		2 1/2" NPT-LH	R9250-1120-1010-20	R9250-4120-1010-20																	
		2 1/2" QR	R9250-1120-1010-70	R9250-4120-1010-70	1 1/2"	45	65	185		82	74	142	28	16	83	27	464	254	298	26,00	
		2 1/2" BSP-RH	R9250-1220-1010-30	R9250-4220-1010-30	1 1/2"	45	65	185	25	82	74	142					27	464	254	298	26,00
		2 1/2" BSP-LH	R9250-1220-1010-40	R9250-4220-1010-40																	
		2 1/2" QR	R9250-1220-1010-70	R9250-4220-1010-70	1 1/2"	45	65	185		82	74	142	28	16	83	27	464	254	298	26,00	
80	2 1/2"	3" NPT - RH	R9300-1125-1212-10	R9300-4125-1212-10	1 1/2"	45	73	200	30	96	93	157				33	241	301	345	31,50	
		3" NPT - LH	R9300-1125-1212-20	R9300-4125-1212-20																	
		3" QR	R9300-1125-1212-70	R9300-4125-1212-70	1 1/2"	45	73	200		96	93	157	31	22	84	33	241	301	345	31,50	
		3" BSP - RH	R9300-1225-1212-30	R9300-4225-1212-30	1 1/2"	45	73	200	30	96	93	157					33	241	301	345	31,50
		3" BSP - LH	R9300-1225-1212-40	R9300-4225-1212-40																	
		3" QR	R9300-1225-1212-70	R9300-4225-1212-70	1 1/2"	45	73	200		96	93	157	31	22	84	33	241	301	345	31,50	
100	3"	4" NPT - RH	R9400-1140-1515-10	R9400-4140-1515-10	2"	60	98	257	35	141	110	232				41	308	400	483	62,00	
		4" NPT - LH	R9400-1140-1515-20	R9400-4140-1515-20																	
		4" QR	R9400-1140-1515-70	R9400-4140-1515-70	2"	60	98	257		141	110	232	22	12	110	41	308	400	483	62,00	
		4" BSP - RH	R9400-1240-1515-30	R9400-4240-1515-30	2"	60	98	257	35	141	110	232					41	308	400	483	62,00
		4" BSP - LH	R9400-1240-1515-40	R9400-4240-1515-40																	
		4" QR	R9400-1240-1515-70	R9400-4240-1515-70	2"	60	98	257		141	110	232	22	12	110	41	308	400	483	62,00	

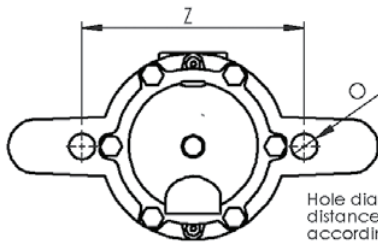
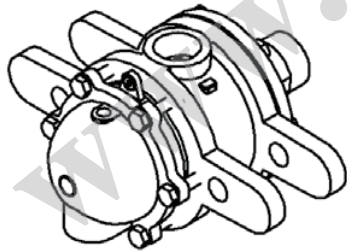
9000 R Series (Type 2) 1" (DN25) - 4" (DN100) Duo Flow Rotary Joints



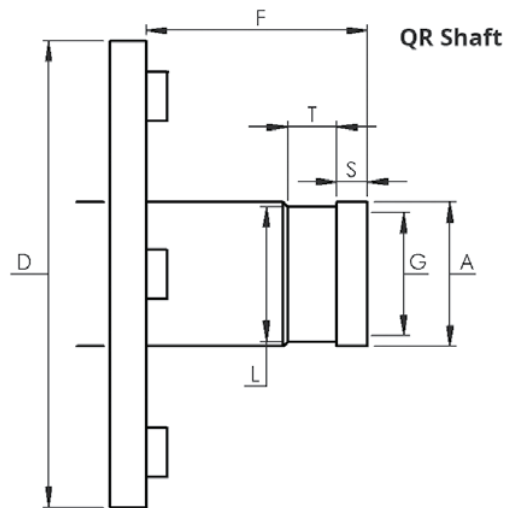
Duo Flow Rotary Joints

Dual flow joints are used when supply and return lines are connected to same sides of the cylinder.

* Using see page 36



Hole diameter and it's distance can be revise according to your system.

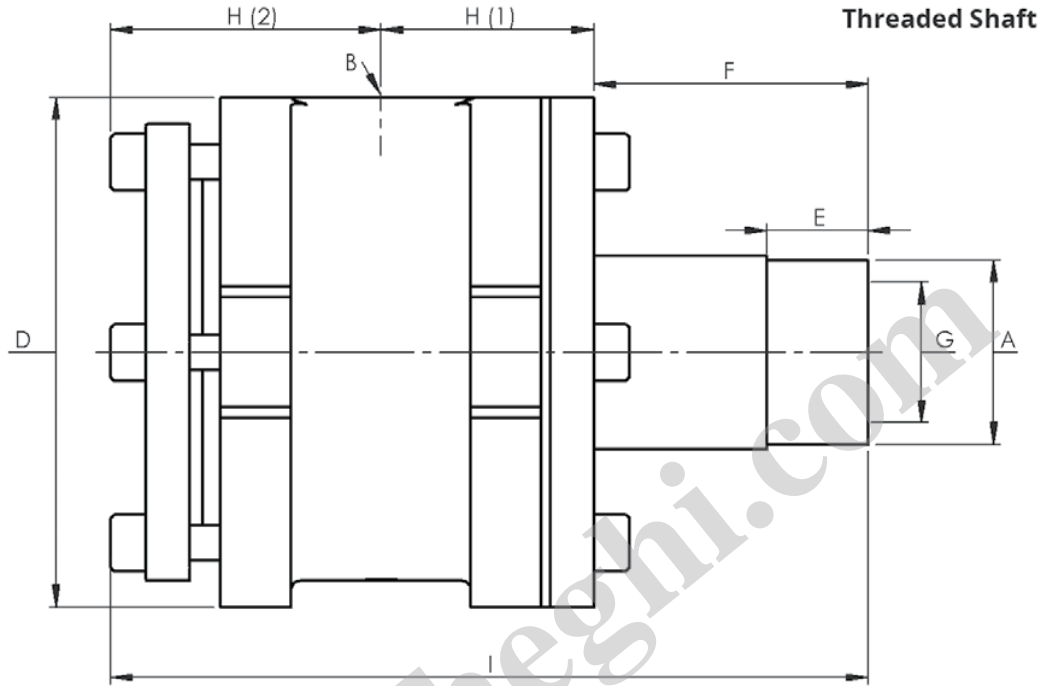


* Custom sized manufacturing are available.

9000 R SERIES TYPE 2 STATIONARY & ROTATING SIPHON LIST

Size DN	B	A	Model No Stationary Siphon (S)	Model No Rotating Siphon (RSP)	C	K	G	D	E	F	H	H (2)	T	S	L	O	Z	I	I (2)	Kg	
25	3/4"	1" NPT - RH	R9102-2107-0702-10	R9102-5107-0702-10	3/4"	12	25	108	20	51	45	96				13	124	152	191	5,50	
		1" NPT - LH	R9102-2107-0702-20	R9102-5107-0702-20																	
		1" QR	R9102-2107-0702-70	R9102-5107-0702-70	3/4"	12	25	108		51	45	96	13	8	33	13	124	152	191	5,50	
		1" BSP - RH	R9102-2207-0702-30	R9102-5207-0702-30	3/4"	12	25	108	20	51	45	96					13	124	152	191	5,50
		1" BSP - LH	R9102-2207-0702-40	R9102-5207-0702-40																	
		1" QR	R9102-2207-0702-70	R9102-5207-0702-70	3/4"	12	25	108		51	45	96	13	8	33	13	124	152	191	5,50	
32	1"	1 1/4" NPT-RH	R9122-2110-1004-10	R9122-5110-1004-10	1"	20	32	116	23	57	49	105				13	130	173	210	7,50	
		1 1/4" NPT-LH	R9122-2110-1004-20	R9122-5110-1004-20																	
		1 1/4" QR	R9122-2110-1004-70	R9122-5110-1004-70	1"	20	32	116		57	49	105	19	13	40	13	130	173	210	7,50	
		1 1/4" BSP-RH	R9122-2210-1004-30	R9122-5210-1004-30	1"	20	32	116	23	57	49	105					13	130	173	210	7,50
		1 1/4" BSP-LH	R9122-2210-1004-40	R9122-5210-1004-40																	
		1 1/4" QR	R9122-2210-1004-70	R9122-5210-1004-70	1"	20	32	116		57	49	105	19	13	40	13	130	173	210	7,50	
40	1 1/4"	1 1/2" NPT-RH	R9152-2115-1205-10	R9152-5115-1205-10	1 1/4"	25	40	152	23	71	58	127				22	205	204	255	14,00	
		1 1/2" NPT-LH	R9152-2115-1205-20	R9152-5115-1205-20																	
		1 1/2" QR	R9152-2115-1205-70	R9152-5115-1205-70	1 1/4"	25	40	152		71	58	127	16	10	48	22	205	204	255	14,00	
		1 1/2" BSP-RH	R9152-2215-1205-30	R9152-5215-1205-30	1 1/4"	25	40	152	23	71	58	127					22	205	204	255	14,00
		1 1/2" BSP-LH	R9152-2215-1205-40	R9152-5215-1205-40																	
		1 1/2" QR	R9152-2215-1205-70	R9152-5220-1205-70	1 1/4"	25	40	152		71	58	127	16	10	48	22	205	204	255	14,00	
50	1 1/2"	2" NPT - RH	R9202-2120-1207-10	R9202-5120-1207-10	1 1/4"	40	50	162	25	72	67	148				21	197	230	287	19,00	
		2" NPT - LH	R9202-2120-1207-20	R9202-5120-1207-20																	
		2" QR	R9202-2120-1207-70	R9202-5120-1207-70	1 1/4"	40	50	162		72	67	148	16	10	63	21	197	230	287	19,00	
		2" BSP - RH	R9202-2220-1207-30	R9202-5220-1207-30	1 1/4"	40	50	162	25	72	67	148					21	197	230	287	19,00
		2" BSP - LH	R9202-2220-1207-40	R9202-5220-1207-40																	
		2" QR	R9202-2220-1207-70	R9202-5220-1207-70	1 1/4"	40	50	162		72	67	148	16	10	63	21	197	230	287	19,00	
65	2"	2 1/2" NPT-RH	R9252-2125-1508-10	R9252-5125-1508-10	1 1/2"	45	65	185	25	82	74	162				27	464	254	318	30,00	
		2 1/2" NPT-LH	R9252-2125-1508-20	R9252-5125-1508-20																	
		2 1/2" QR	R9252-2125-1508-70	R9252-5125-1508-70	1 1/2"	45	65	185		82	74	162	28	16	83	27	464	254	318	30,00	
		2 1/2" BSP-RH	R9252-2225-1508-30	R9252-5225-1508-30	1 1/2"	45	65	185	25	82	74	162					27	464	254	318	30,00
		2 1/2" BSP-LH	R9252-2225-1508-40	R9252-5225-1508-40																	
		2 1/2" QR	R9252-2225-1508-70	R9252-5225-1508-70	1 1/2"	45	65	185		82	74	162	28	16	83	27	464	254	318	30,00	
80	2 1/2"	3" NPT - RH	R9302-2130-1508-10	R9302-5130-1508-10	1 1/2"	45	73	200	30	96	93	185				33	241	301	374	39,00	
		3" NPT - LH	R9302-2130-1508-20	R9302-5130-1508-20																	
		3" QR	R9302-2130-1508-70	R9302-5130-1508-70	1 1/2"	45	73	200		96	93	185	31	22	84	33	241	301	374	39,00	
		3" BSP - RH	R9302-2230-1508-30	R9302-5230-1508-30	1 1/2"	45	73	200	30	96	93	185					33	241	301	374	39,00
		3" BSP - LH	R9302-2230-1508-40	R9302-5230-1508-40																	
		3" QR	R9302-2230-1508-70	R9302-5230-1508-70	1 1/2"	45	73	200		96	93	185	31	22	84	33	241	301	374	39,00	
100	3"	4" NPT - RH	R9402-2140-2009-10	R9402-5140-2009-10	2"	60	98	257	35	141	110	227				41	308	400	478	67,00	
		4" NPT - LH	R9402-2140-2009-20	R9402-5140-2009-20																	
		4" QR	R9402-2140-2009-70	R9402-5140-2009-70	2"	60	98	257		141	110	227	22	12	110	41	308	400	478	67,00	
		4" BSP - RH	R9402-2240-2009-30	R9402-5240-2009-30	2"	60	98	257	35	141	110	227					41	308	400	478	67,00
		4" BSP - LH	R9402-2240-2009-40	R9402-5240-2009-40																	
		4" QR	R9402-2240-2009-70	R9402-5240-2009-70	2"	60	98	257		141	110	227	22	12	110	41	308	400	478	67,00	

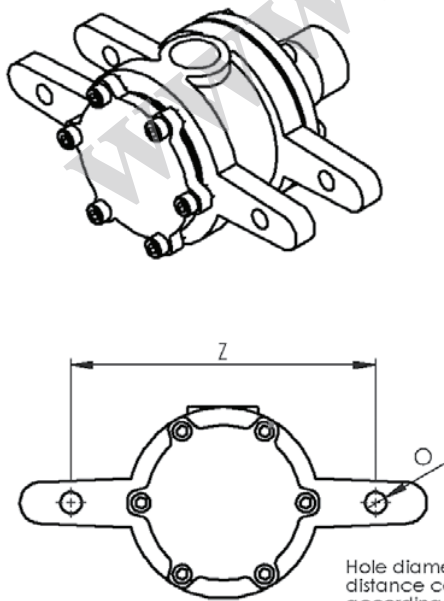
9000 R Series (Type 3) 1" (DN25) - 4" (DN100) Single Flow Rotary Joints



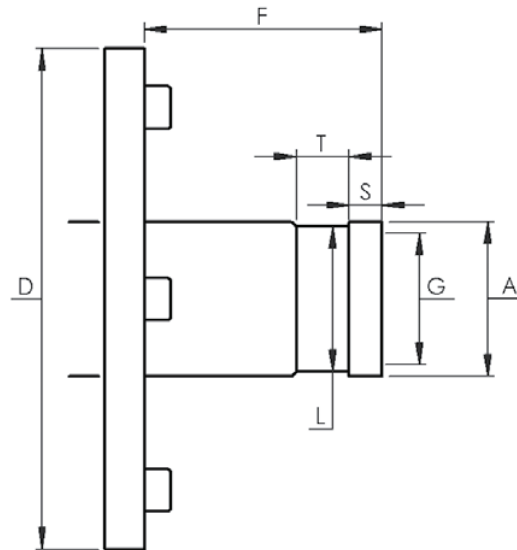
Duo Flow Rotary Joints

Dual flow joints are used when supply and return lines are connected to same sides of the cylinder.

* Using see page 36



QR Shaft

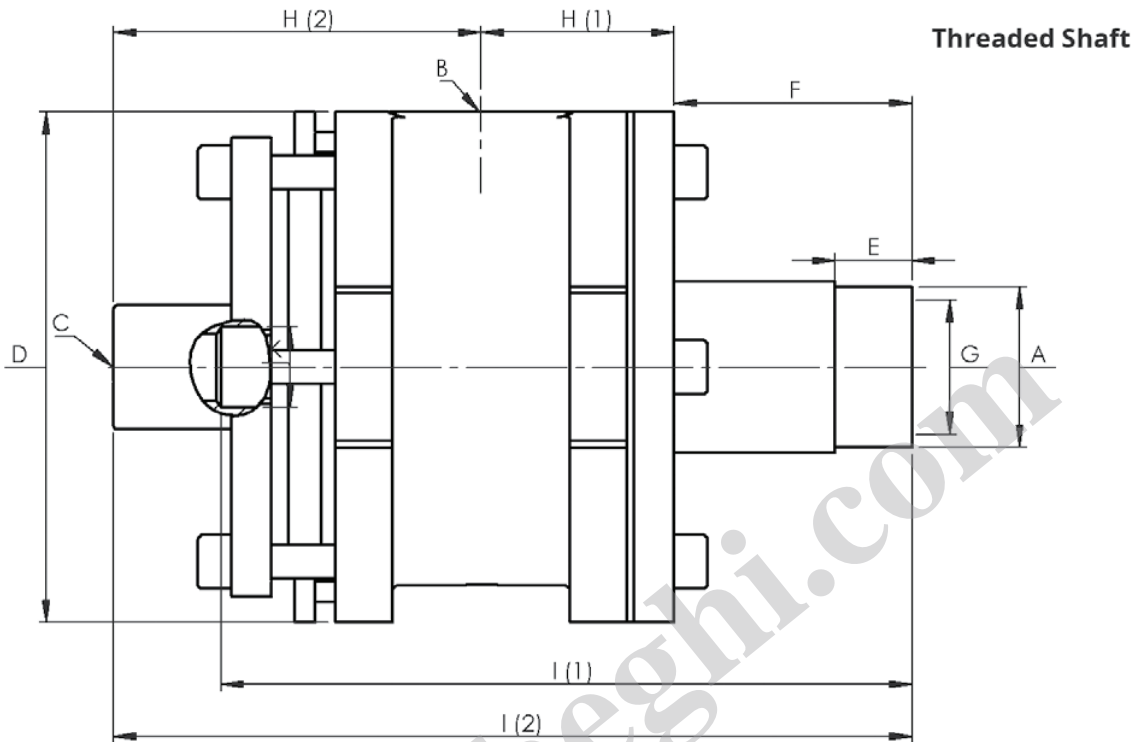


* Custom sized manufacturing are available.

9000 R SERIES TYPE 3

Size DN	B	A	Model No Stationary Siphon(S)	G	D	E	F	H (1)	H (2)	T	S	L	O	Z	I	Kg
25	3/4"	1" NPT - RH	R9102-3010-0000-10	25	108	20	51	45	54				13	124	150	4,75
		1" NPT - LH	R9102-3010-0000-20													
		1" QR	R9102-3010-0000-70	25	108		51	45	54	13	8	33	13	124	150	4,75
		1" BSP - RH	R9102-3010-0000-30													
		1" BSP - LH	R9102-3010-0000-40													
		1" QR	R9102-3010-0000-70													
32	1"	1 1/4" NPT - RH	R9122-3012-0000-10	32	116	23	57	49	62				13	130	172	5,75
		1 1/4" NPT - LH	R9122-3012-0000-20													
		1 1/4" QR	R9122-3012-0000-70	32	116		57	49	62	19	13	40	13	130	172	5,75
		1 1/4" BSP - RH	R9122-3012-0000-30													
		1 1/4" BSP - LH	R9122-3012-0000-40													
		1 1/4" QR	R9122-3010-0000-70													
40	1 1/4"	1 1/2" NPT - RH	R9152-3015-0000-10	40	152	23	71	58	73				22	205	201	11,00
		1 1/2" NPT - LH	R9152-3015-0000-20													
		1 1/2" QR	R9152-3015-0000-70	40	152		71	58	73	16	10	48	22	205	201	11,00
		1 1/2" BSP - RH	R9152-3015-0000-30													
		1 1/2" BSP - LH	R9152-3015-0000-40													
		1 1/2" QR	R9152-3015-0000-70													
50	1 1/2"	2" NPT - RH	R9202-3020-0000-10	50	162	25	72	67	80				21	197	219	14,00
		2" NPT - LH	R9202-3020-0000-20													
		2" QR	R9202-3020-0000-70	50	162	25	72	67	80	16	10	63	21	197	219	14,00
		2" BSP - RH	R9202-3020-0000-30													
		2" BSP - LH	R9202-3020-0000-40													
		2" QR	R9202-3020-0000-70													
65	2"	2 1/2" NPT - RH	R9252-3025-0000-10	65	185	25	82	74	96				27	464	249	22,50
		2 1/2" NPT - LH	R9252-3025-0000-20													
		2 1/2" QR	R9252-3025-0000-70	65	185		82	74	96	28	16	83	27	464	249	22,50
		2 1/2" BSP - RH	R9252-3025-0000-30													
		2 1/2" BSP - LH	R9252-3025-0000-40													
		2 1/2" QR	R9252-3025-0000-70													
80	2 1/2"	3" NPT - RH	R9302-3030-0000-10	73	200	30	96	93	110				33	241	298	31,00
		3" NPT - LH	R9302-3030-0000-20													
		3" QR	R9302-3030-0000-70	73	200		96	93	110	31	22	84	33	241	298	31,00
		3" BSP - RH	R9302-3030-0000-30													
		3" BSP - LH	R9302-3030-0000-40													
		3" QR	R9302-3030-0000-70													
100	3"	4" NPT - RH	R9402-3040-0000-10	98	257	35	141	110	131				41	308	382	47,00
		4" NPT - LH	R9402-3040-0000-20													
		4" QR	R9402-3040-0000-70	98	257		141	110	131	22	12	110	41	308	382	47,00
		4" BSP - RH	R9402-3040-0000-30													
		4" BSP - LH	R9402-3040-0000-40													
		4" QR	R9402-3040-0000-70													

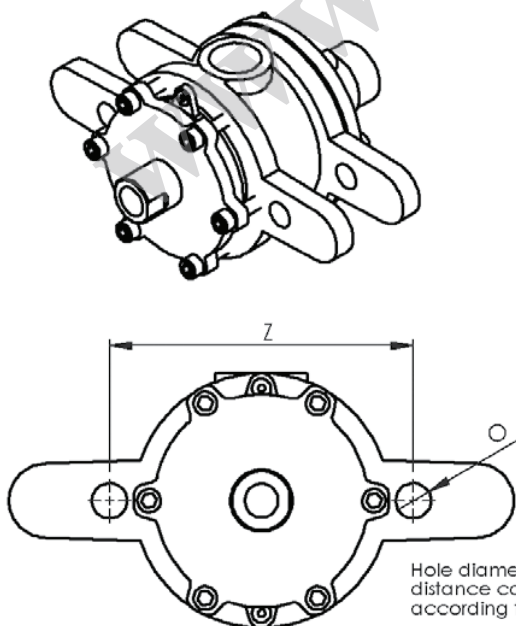
9000 R Series (Type 4) 1" (DN25) - 4" (DN100) Duo Flow Rotary Joints



Duo Flow Rotary Joints

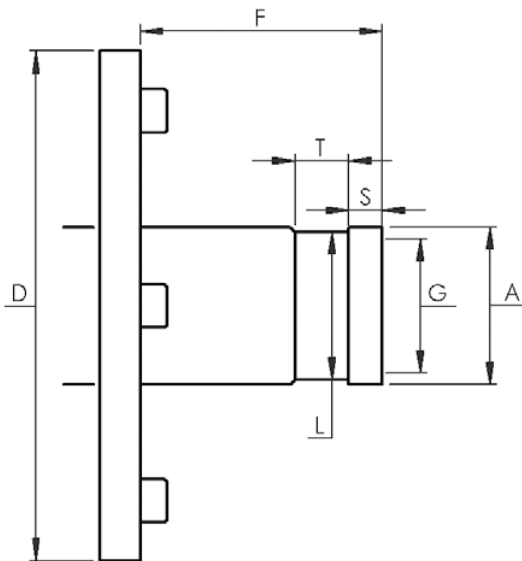
Dual flow joints are used when supply and return lines are connected to same sides of the cylinder.

* Using see page 36



Hole diameter and it's distance can be revise according to your system.

QR Shaft

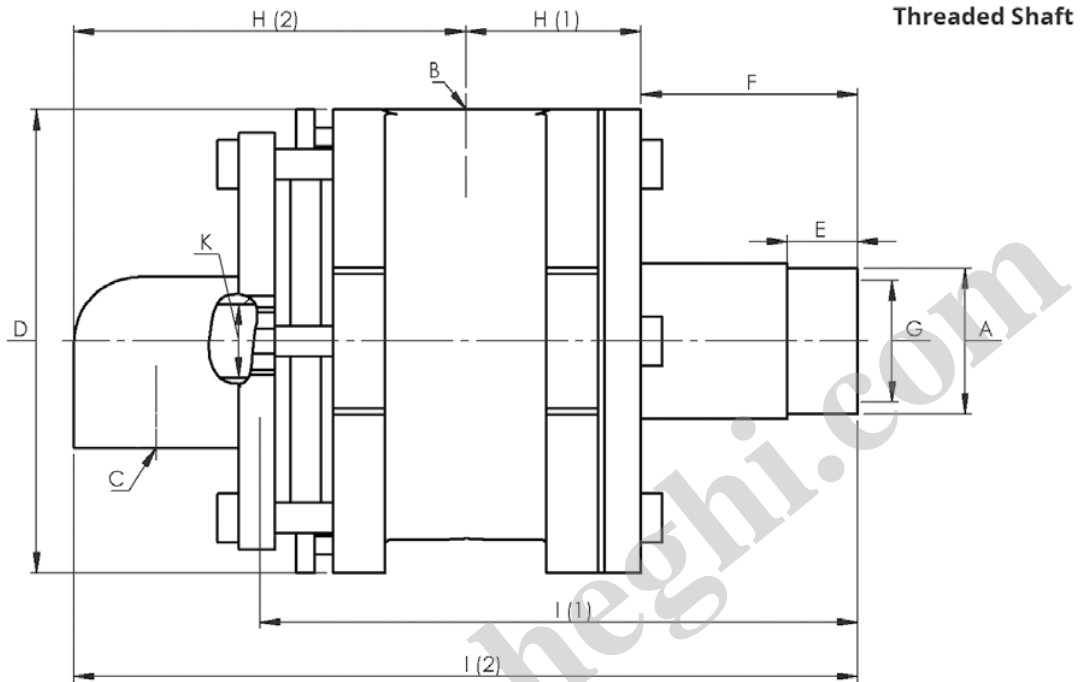


* Custom sized manufacturing are available.

9000 R SERIES TYPE 4 STATIONARY SIPHON

Size DN		A	Model No Stationary Siphon(S)	C	K	G	D	E	F	H (1)	H (2)	T	S	L	O	Z	I(1)	I(2)	Kg	
25	3/4"	1" NPT - RH	R9102-1107-0705-10	3/4"	1/2"	25	108	20	51	45	84					13	124	155	179	4,50
		1" NPT - LH	R9102-1107-0705-20																	
		1" QR	R9102-1107-0705-70	3/4"	1/2"	25	108		51	45	84	13	8	33	13	124	155	179	4,50	
		1" BSP - RH	R9102-1207-0705-30																	
		1" BSP - LH	R9102-1207-0705-40																	
		1" QR	R9102-1207-0705-70																	
32	1"	1 1/4" NPT - RH	R9122-2110-1010-10	1"	1"	32	116	23	57	49	99					13	130	174	204	6,00
		1 1/4" NPT - LH	R9122-2110-1010-20																	
		1 1/4" QR	R9122-2110-1010-70	1"	1"	32	116		57	49	99	19	13	40	13	130	174	204	6,00	
		1 1/4" BSP - RH	R9122-2210-1010-30																	
		1 1/4" BSP - LH	R9122-2210-1010-40																	
		1 1/4" QR	R9122-2210-1010-70																	
40	1 1/4"	1 1/2" NPT - RH	R9152-2112-1210-10	1 1/4"	1"	40	152	23	71	58	110					22	205	206	238	11,00
		1 1/2" NPT - LH	R9152-2112-1210-20																	
		1 1/2" QR	R9152-2112-1210-70	1 1/4"	1"	40	152		71	58	110	16	10	48	22	205	206	238	11,00	
		1 1/2" BSP - RH	R9152-2212-1210-30																	
		1 1/2" BSP - LH	R9152-2212-1210-40																	
		1 1/2" QR	R9152-2212-1210-70																	
50	1 1/2"	2" NPT - RH	R9202-2115-1212-10	1 1/4"	1 1/4"	50	162	25	72	67	128					21	197	233	267	16,00
		2" NPT - LH	R9202-2115-1212-20																	
		2" QR	R9202-2115-1212-70	1 1/4"	1 1/4"	50	162	25	72	67	128	16	10	63	21	197	233	267	16,00	
		2" BSP - RH	R9202-2215-1212-30																	
		2" BSP - LH	R9202-2215-1212-40																	
		2" QR	R9202-2215-1212-70																	
65	2"	2 1/2" NPT - RH	R9252-2120-1515-10	1 1/2"	1 1/2"	65	185	25	82	74	140					27	464	232	293	25,00
		2 1/2" NPT - LH	R9252-2120-1515-20																	
		2 1/2" QR	R9252-2120-1515-70	1 1/2"	1 1/2"	65	185		82	74	140	28	16	83	27	464	232	293	25,00	
		2 1/2" BSP - RH	R9252-2220-1515-30																	
		2 1/2" BSP - LH	R9252-2220-1515-40																	
		2 1/2" QR	R9252-2220-1515-70																	
80	2 1/2"	3" NPT - RH	R9302-2125-1515-10	1 1/2"	1 1/2"	73	200	30	96	93	155					33	241	272	343	32,00
		3" NPT - LH	R9302-2125-1515-20																	
		3" QR	R9302-2125-1515-70	1 1/2"	1 1/2"	73	200		96	93	155	31	22	84	33	241	272	343	32,00	
		3" BSP - RH	R9302-2225-1515-30																	
		3" BSP - LH	R9302-2225-1515-40																	
		3" QR	R9302-2225-1515-70																	
100	3"	4" NPT - RH	R9402-2130-2020-10	2"	2"	98	257	35	141	110	182					41	308	362	433	55,00
		4" NPT - LH	R9402-2130-2020-20																	
		4" QR	R9402-2130-2020-70	2"	2"	98	257		141	110	182	22	12	110	41	308	362	433	55,00	
		4" BSP - RH	R9402-2230-2020-30																	
		4" BSP - LH	R9402-2230-2020-40																	
		4" QR	R9402-2230-2020-70																	

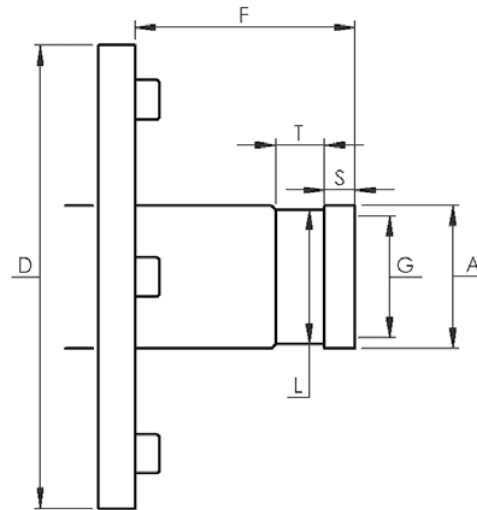
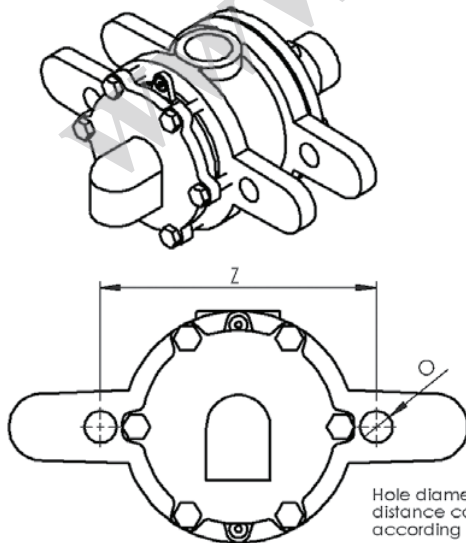
9000 R Series (Type 5) 1" (DN25) - 4" (DN100) Duo Flow Rotary Joints



Duo Flow Rotary Joints

Dual flow joints are used when supply and return lines are connected to same sides of the cylinder.

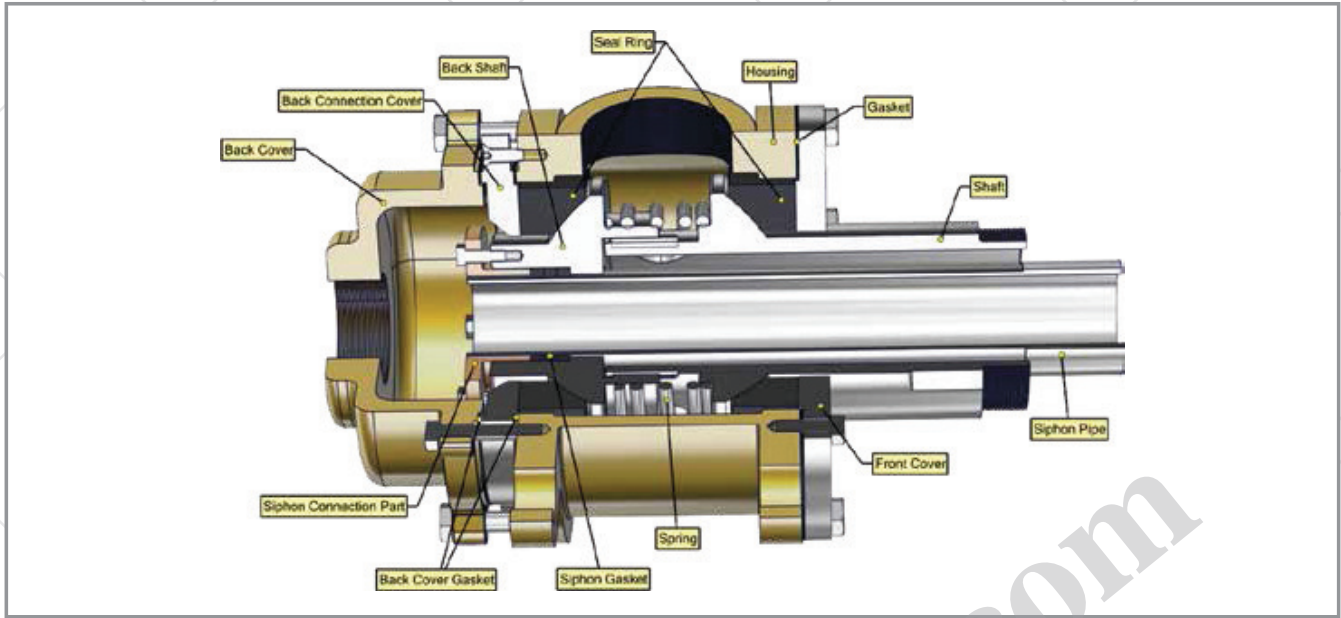
* Using see page 36



* Custom sized manufacturing are available.

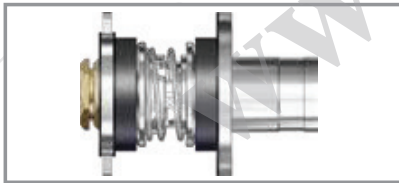
9000 R SERIES TYPE 5 STATIONARY SIPHON

Size DN		A	Model No Stationary Siphon(S)	C	K	G	D	E	F	H (1)	H (2)	T	S	L	O	Z	I(1)	I(2)	Kg	
25	3/4"	1" NPT - RH	R9102-5107-0705-10	3/4"	1/2"	25	108	20	51	45	101					13	124	151	196	4,60
		1" NPT - LH	R9102-5107-0705-20																	
		1" QR	R9102-5107-0705-70	3/4"	1/2"	25	108			51	45	101	13	8	33	13	124	151	196	4,60
		1" BSP - RH	R9102-5207-0705-30																	
		1" BSP - LH	R9102-5207-0705-40																	
		1" QR	R9102-5207-0705-70																	
32	1"	1 1/4" NPT - RH	R9122-5110-1010-10	1"	1"	32	116	23	57	49	114					13	130	164	219	6,00
		1 1/4" NPT - LH	R9122-5110-1010-20																	
		1 1/4" QR	R9122-5110-1010-70	1"	1"	32	116			57	49	114	19	13	40	13	130	164	219	6,00
		1 1/4" BSP - RH	R9122-5210-1010-30																	
		1 1/4" BSP - LH	R9122-5210-1010-40																	
		1 1/4" QR	R9122-5210-1010-70																	
40	1 1/4"	1 1/2" NPT - RH	R9152-5112-1210-10	1 1/4"	1"	40	152	23	71	58	129					22	205	196	257	11,00
		1 1/2" NPT - LH	R9152-5112-1210-20																	
		1 1/2" QR	R9152-5112-1210-70	1 1/4"	1"	40	152			71	58	129	16	10	48	22	205	196	257	11,00
		1 1/2" BSP - RH	R9152-5212-1210-30																	
		1 1/2" BSP - LH	R9152-5212-1210-40																	
		1 1/2" QR	R9152-5212-1210-70																	
50	1 1/2"	2" NPT - RH	R9202-5115-1212-10	1 1/4"	1 1/4"	50	162	25	72	67	154					21	197	218	293	16,00
		2" NPT - LH	R9202-5115-1212-20																	
		2" QR	R9202-5115-1212-70	1 1/4"	1 1/4"	50	162	25	72	67	154	16	10	63	21	197	218	293	16,00	
		2" BSP - RH	R9202-5215-1212-30																	
		2" BSP - LH	R9202-5215-1212-40																	
		2" QR	R9202-5215-1212-70																	
65	2"	2 1/2" NPT - RH	R9252-5120-1515-10	1 1/2"	1 1/2"	65	185	25	82	74	175					27	464	207	328	25,00
		2 1/2" NPT - LH	R9252-5120-1515-20																	
		2 1/2" QR	R9252-5120-1515-70	1 1/2"	1 1/2"	65	185			82	74	175	28	16	83	27	464	207	328	25,00
		2 1/2" BSP - RH	R9252-5220-1515-30																	
		2 1/2" BSP - LH	R9252-5220-1515-40																	
		2 1/2" QR	R9252-5220-1515-70																	
80	2 1/2"	3" NPT - RH	R9302-5125-1515-10	1 1/2"	1 1/2"	73	200	30	96	93	202					33	241	247	390	32,00
		3" NPT - LH	R9302-5125-1515-20																	
		3" QR	R9302-5125-1515-70	1 1/2"	1 1/2"	73	200			96	93	202	31	22	84	33	241	247	390	32,00
		3" BSP - RH	R9302-5225-1515-30																	
		3" BSP - LH	R9302-5225-1515-40																	
		3" QR	R9302-5225-1515-70																	
100	3"	4" NPT - RH	R9402-5130-2020-10	2"	2"	98	257	35	141	110	257					41	308	332	508	55,00
		4" NPT - LH	R9402-5130-2020-20																	
		4" QR	R9402-5130-2020-70	2"	2"	98	257			141	110	257	22	12	110	41	308	332	508	55,00
		4" BSP - RH	R9402-5230-2020-30																	
		4" BSP - LH	R9402-5230-2020-40																	
		4" QR	R9402-5230-2020-70																	



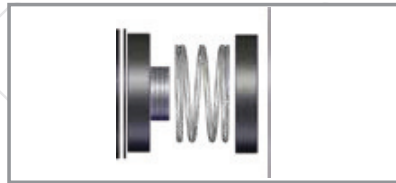
9000 R Series Spare Part List

Product	R 9250	R 9300	R 9400
Cartridge	R9250-C- BSP RH	R9300-C BSP-RH	R9400-C BSP-RH
	R9250-C BSP-LH	R9300-C BSP-LH	R9400-C BSP-LH
	R9250-C NPT-RH	R9300-C NPT-RH	R9400-C NPT-RH
	R9250-C NPT-LH	R9300-C NPT-LH	R9400-C NPT-LH
	R9250-C QR	R9300-C QR	R9400-C QR
T-1	R9250-T1	R9300-T1	R9400-T1
T-2	R9250-T2	R9300-T2	R9400-T2



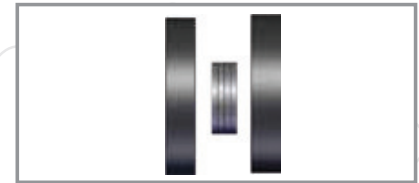
Cartridge

- Shaft
- Cover (AISI304) x2
- Gasket
- Front Seal Carbon x2
- Spring



T-1

- Gasket
- Front Seal Carbon
- Spring
- Back Seal Ring



T-2

- Front Seal Carbon
- Siphon Gasket
- Back Seal Ring