

7000 TE SERIES ROTARY JOINTS

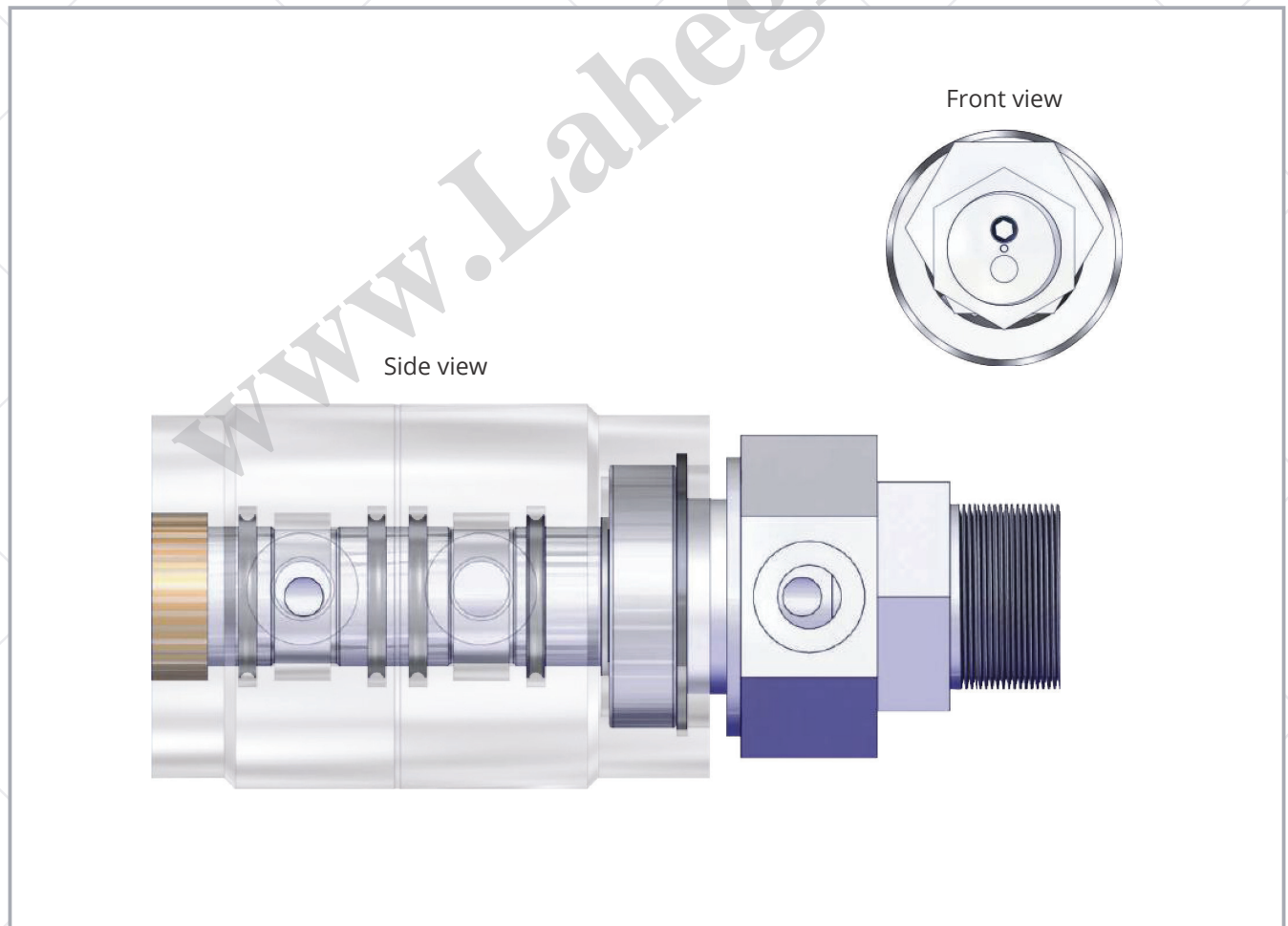
Hydraulic Oil, Vacuum, Brake Fluid
2 x 1/4" (2 x DN08) - 2 x 3/4" (2 x DN20)

- Dual flow
- Balanced sealing
- Self supported
- Chrome-plated shaft
- Bronze bearing
- Aluminium housing

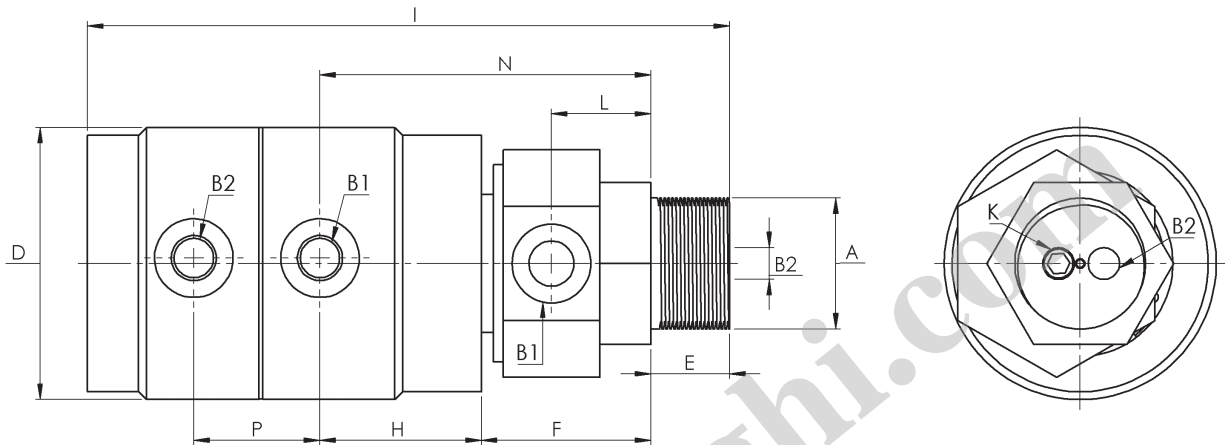
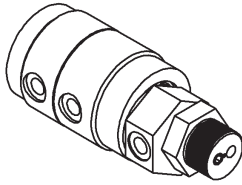


Working Conditions

Max. Air Pressure	:	10 Bar
Max. Vacuum	:	6,7 kPoc
Max. Hydraulic Oil Pressure	:	200 Bar
Max. Speed	:	250 rpm/min
Max. Temperature	:	120 °C



7000 TE Series 2x1/4" (2xDN8) - 2x3/4" (2xDN20) Duo Flow Rotary Joints



* Custom sized manufacturing are available.

7000 TE SERIES ROTARY JOINTS

Size DN	B1-B2	K	Model No	A	D	I	E	F	L	H	P
20	1/4" BSP	8	7025-000-105 TE	3/4" NPT - RH	69	163	20	43	25	50	32
	3/8" BSP	8	7037-100-105 TE	3/4" BSP - RH							
25	1/4" NPT	8	7025-000-110 TE	1" NPT - RH	69	163	20	57	33	50	32
			7025-000-115 TE	1" BSP - RH							
	1/4" BSP	8	7025-100-110 TE	1" NPT - RH		163				50	32
			7025-100-115 TE	1" BSP - RH							
	3/8" NPT	10	7037-000-110 TE	1" NPT - RH		177				50	32
			7037-000-115 TE	1" BSP - RH							
3/8" BSP	10	7037-100-110 TE	1" NPT - RH	177	50	32					
		7037-100-115 TE	1" BSP - RH								
32	1/2" NPT	15	7050-000-120 TE	1 1/4" NPT - RH	79	198	25	58	37	40	40
			7050-000-120 TE	1 1/4" BSP - RH							
	1/2" BSP	15	7050-100-120 TE	1 1/4" NPT - RH							
			7050-100-125 TE	1 1/4" BSP - RH							
40	3/4" NPT	17	7075-000-130 TE	1 1/2" NPT - RH	99	243	30	67	42	61	48
			7075-000-135 TE	1 1/2" BSP - RH							
	3/4" BSP	17	7075-100-130 TE	1 1/2" NPT - RH							
			7075-100-135 TE	1 1/2" BSP - RH							