

## 7000 SERIES ROTARY JOINTS

Hydraulic Oil, Vacuum, Brake Fluid  
2 x 1/4" (2 x DN08) - 2 x 3/4" (2 x DN20)

- Dual flow
- Balanced sealing
- Self supported
- Chrome-plated shaft
- Bronze bearing
- Aluminium housing

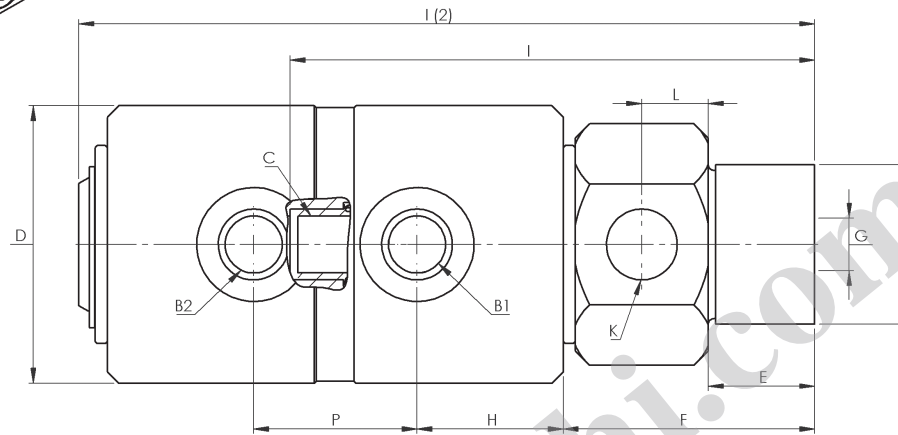
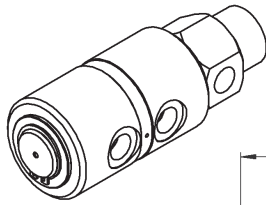


### Working Conditions

Max. Air Pressure	:	10 Bar
Max. Vacuum	:	6,7 kPoc
Max. Hydraulic Oil Pressure	:	200 Bar
Max. Speed	:	250 rpm/min
Max. Temperature	:	120 °C



### 7000 Series 2x1/4" (2xDN08) - 2x3/4" (2xDN20) Duo Flow Rotary Joints



#### Threaded Shaft

For UNF, metric or other standard please ask to our sales department.

\* Custom sized manufacturing are available.

Size DN	B1	Model No	A Shaft	D	C	I(2)	E	F	G	L	I	K	H	P	Kg
20	2x1/4" BSP	7025-000-105	3/4" NPT - RH	63	1/4" BSP	152	19	57	8	18	104	1/4" BSP	67	30	1,85
	2x3/8" BSP	7037-100-105	3/4" BSP - RH		3/8" BSP										
25	2x1/4" NPT	7025-000-110	1" NPT - RH	63	1/4" NPT	152	19	57	8	18	104	1/4" NPT	67	30	1,85
		7025-000-115	1" BSP - RH		1/4" BSP										
	2x1/4" BSP	7025-100-110	1" NPT - RH		1/4" BSP	152	19	57	8	18	104	1/4" BSP	67	30	
		7025-100-115	1" BSP - RH		1/4" NPT										
	2x3/8" NPT	7037-000-110	1" NPT - RH		1/4" NPT	152	19	57	8	18	104	3/8" NPT	67	30	
		7037-000-115	1" BSP - RH		1/4" BSP										
	2x3/8" BSP	7037-100-110	1" NPT - RH		1/4" BSP	152	19	57	8	18	67	3/8" BSP	67	30	
		7037-100-115	1" BSP - RH												
32	2x1/2" NPT	7050-000-120	1 1/4" NPT - RH	73	1/2" NPT	194	28	66	15	18	136	1/2" NPT	77	43	2,35
		7050-000-120	1 1/4" BSP - RH		1/2" BSP										
	2x1/2" BSP	7050-100-120	1 1/4" NPT - RH		1/2" BSP	194	28	66	15	18	136	1/2" BSP	77		
		7050-100-125	1 1/4" BSP - RH												
40	2x3/4" NPT	7075-000-130	1 1/2" NPT - RH	88	3/4" NPT	215	28	66	20	18	143	3/4" NPT	83	50	4,25
		7075-000-135	1 1/2" BSP - RH		3/4" BSP										
	2x3/4" BSP	7075-100-130	1 1/2" NPT - RH		3/4" BSP	215	28	66	20	18	143	3/4" BSP	83		
		7075-100-135	1 1/2" BSP - RH												