

5000 SERIES ROTARY JOINTS



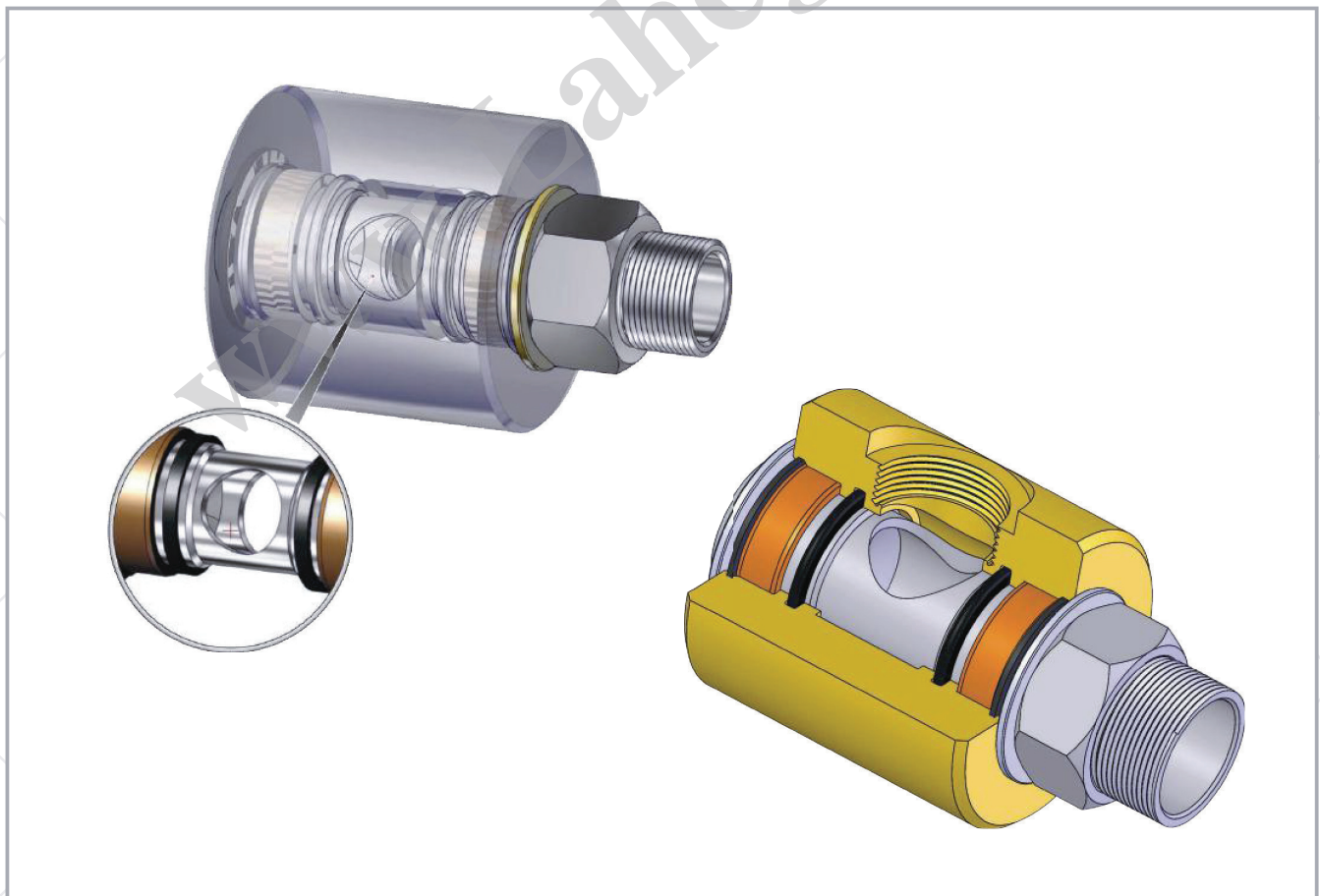
Hydraulic Oil, Vacuum, Brake Fluid
 1/8" (DN06) - 1 1/2" (DN40)

- Single flow
- Balanced sealing
- Self supported
- Chrome -plated shaft
- Bronze bearing
- Aluminium housing

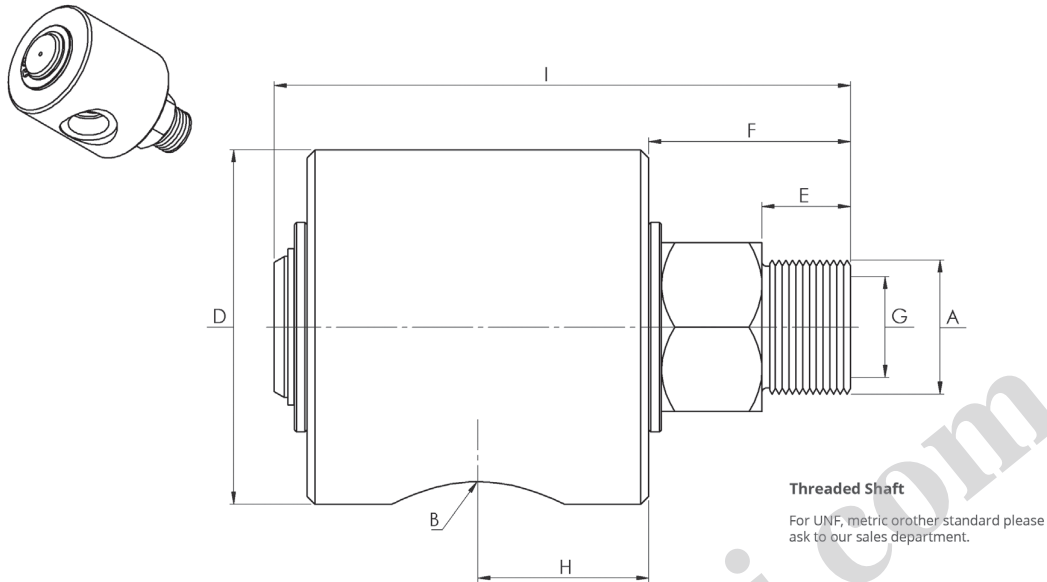
Working Conditions

Max. Pressure	:	10 Bar
Max. Vacuum	:	6,7 kPoc
Max. Hydraulic Oil Pressure	:	250 Bar
Max. Temperature	:	250 rpm/min
Max. Speed	:	120 °C

**Do not use max. Speed & pressure at the same time.



5000 Series 1/8" (DN06) - 1 1/2" (DN40) Single Flow Rotary Joints



* Custom sized manufacturing are available.

5000 SERIES ROTARY JOINT 1/8"(DN06) - 1 1/2"(DN40)

Size DN	B	Model No	A	D	I	F	E	G	H	Kg
6	1/8" (NPT)	5012-000-100	1/8" NPT - RH	38	76	22	10	5	25	0,28
	1/8" (BSP)	5012-100-200	1/8" BSP - RH							
	1/8" (BSPP)	5012-200-300	1/8" BSPP - RH							
8	1/4" (NPT)	5025-000-102	1/4" NPT - RH	38	81	27	14	6	25	0,28
	1/4" (BSP)	5025-100-202	1/4" BSP - RH							
	1/4" (BSP)	5025-200-302	1/4" BSPP - RH							
10	3/8" (NPT)	5037-000-104	3/8" NPT - RH	38	83	29	16	10	25	0,28
	3/8" (BSP)	5037-100-204	3/8" BSP - RH							
	3/8" (BSPP)	5037-200-304	3/8" BSPP - RH							
15	1/2" (NPT)	5050-000-106	1/2" NPT - RH	67	116	39	19	13	35	0,98
	1/2" (BSP)	5050-100-206	1/2" BSP - RH							
	1/2" (BSPP)	5050-200-306	1/2" BSPP - RH							
20	3/4" (NPT)	5075-000-108	3/4" NPT - RH	67	116	39	19	16	35	0,99
	3/4" (BSP)	5050-100-208	3/4" BSP - RH							
	3/4" (BSPP)	5075-200-3088	3/4" BSPP - RH							
25	1" (NPT)	5100-000-110	1" NPT - RH	88	143	50	22	25	43	2,00
	1" (BSP)	5100-100-210	1" BSP - RH							
	1" (BSPP)	5100-200-310	1" BSPP - RH							
32	1 1/4" (NPT)	5125-000-112	1 1/4" NPT - RH	96	161	52	24	32	50	2,50
	1 1/4" (BSP)	5125-100-212	1 1/4" BSP - RH							
	1 1/4" (BSPP)	5125-200-312	1 1/4" BSPP - RH							
40	1 1/2" (NPT)	5150-000-114	1 1/2" NPT - RH	104	174	55	25	40	55	3,25
	1 1/2" (BSP)	5150-100-214	1 1/2" BSP - RH							
	1 1/2" (BSPP)	5150-200-314	1 1/2" BSPP - RH							