

## 120 - 125 SERIES ROTARY JOINTS

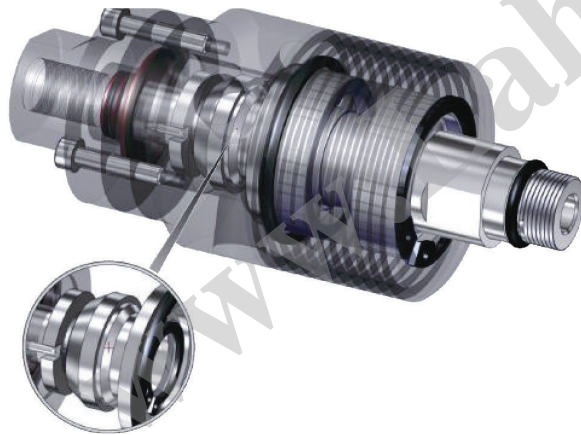


**COOLANT**  
 (FOR CNC MILLING & TURNING MACHINES)  
 1/4" (DN08) - 3/8" (DN10)

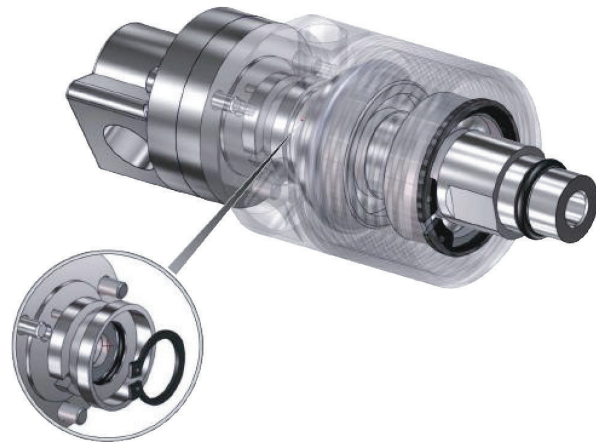
- Monoflow using
- Self supported system
- Threaded and special connections
- Anti vibration working
- Silicon carbide sealing
- Aluminium housing
- Stainless steel shaft
- Anti corrosion components
- Axial (180°) & radial (90°) inlets

### Working Conditions

|                  |   |                |
|------------------|---|----------------|
| Max. Pressure    | : | 40 Bar         |
| Max. Speed       | : | 12.000 rpm/min |
| Max. Flow Rate   | : | 80 lt/min      |
| Max. Temperature | : | 70 °C          |

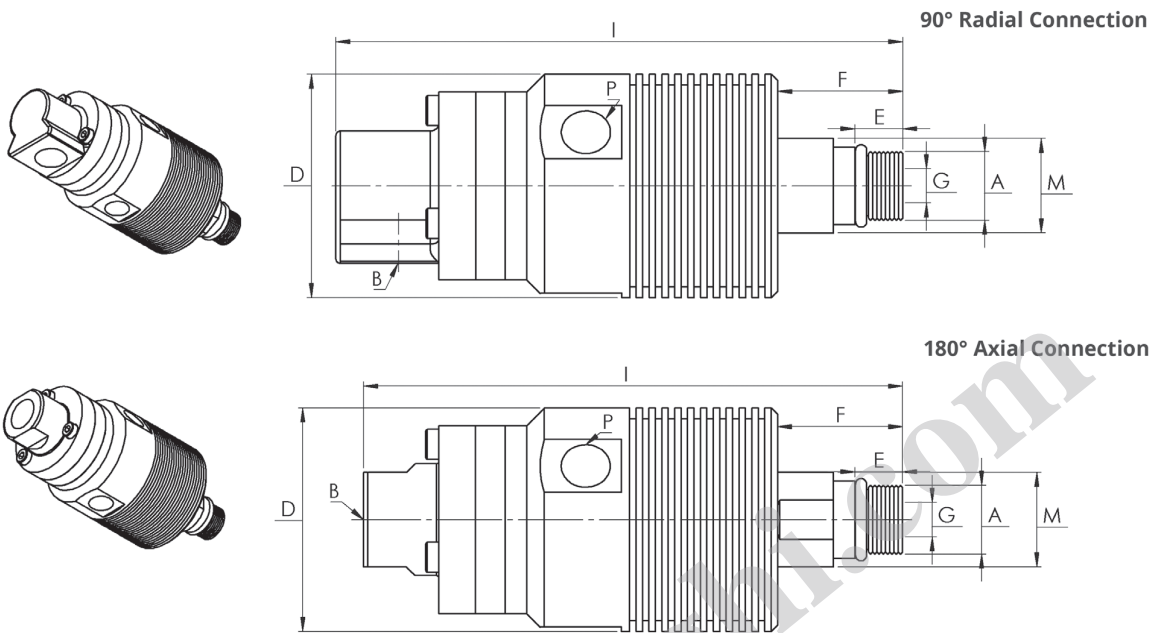


**120 Series**  
 Axial Connection



**125 Series**  
 Radial Connection

### 120-125 Series 1/4" (DN08) - 3/8" (DN10) Single Flow Rotary Joints



\* Custom sized manufacturing are available.

|              | Model No    | B        | D  | I   | P<br>Drainage Ø (6x60°) | A<br>Shaft         | E  | F  | G  | M  | Kg   |
|--------------|-------------|----------|----|-----|-------------------------|--------------------|----|----|----|----|------|
| RADIAL (90°) | 120-344-403 | 1/4" NPT | 52 | 126 | 8,50                    | 5/8" - 18 UNF / LH | 11 | 29 | 8  | 22 | 0,42 |
|              | 120-444-531 | 1/4" BSP | 52 | 126 | 8,50                    | M16 X 1,5 / LH     | 11 | 29 | 8  | 22 | 0,42 |
|              | 120-544-403 | 3/8" NPT | 52 | 126 | 8,50                    | 5/8" - 18 UNF / LH | 11 | 29 | 10 | 22 | 0,42 |
|              | 120-644-531 | 3/8" BSP | 52 | 126 | 8,50                    | M16 X 1,5 / LH     | 11 | 29 | 10 | 22 | 0,42 |
| AXIAL (180°) | 125-344-403 | 1/4" NPT | 52 | 126 | 8,50                    | 5/8" - 18 UNF / LH | 11 | 29 | 8  | 22 | 0,42 |
|              | 125-444-531 | 1/4" BSP | 52 | 126 | 8,50                    | M16 X 1,5 / LH     | 11 | 29 | 8  | 22 | 0,42 |
|              | 125-544-403 | 3/8" NPT | 52 | 126 | 8,50                    | 5/8" - 18 UNF / LH | 11 | 29 | 10 | 22 | 0,42 |
|              | 125-644-531 | 3/8" BSP | 52 | 126 | 8,50                    | M16 X 1,5 / LH     | 11 | 29 | 10 | 22 | 0,42 |

