

## 110 - 115 SERIES ROTARY JOINTS



**COOLANT**  
(FOR CNC MILLING & TURNING MACHINES)  
1/4" (DN08) - 3/8" (DN10)

- Monoflow using
- Self supported system
- Threaded and special connections
- Anti vibration working
- Silicon carbide sealing
- Aluminium housing
- Stainless steel shaft
- Anti corrosion components
- Axial (180°) & radial (90°) inlets

\*\*\* No Dry Run!

### Working Conditions

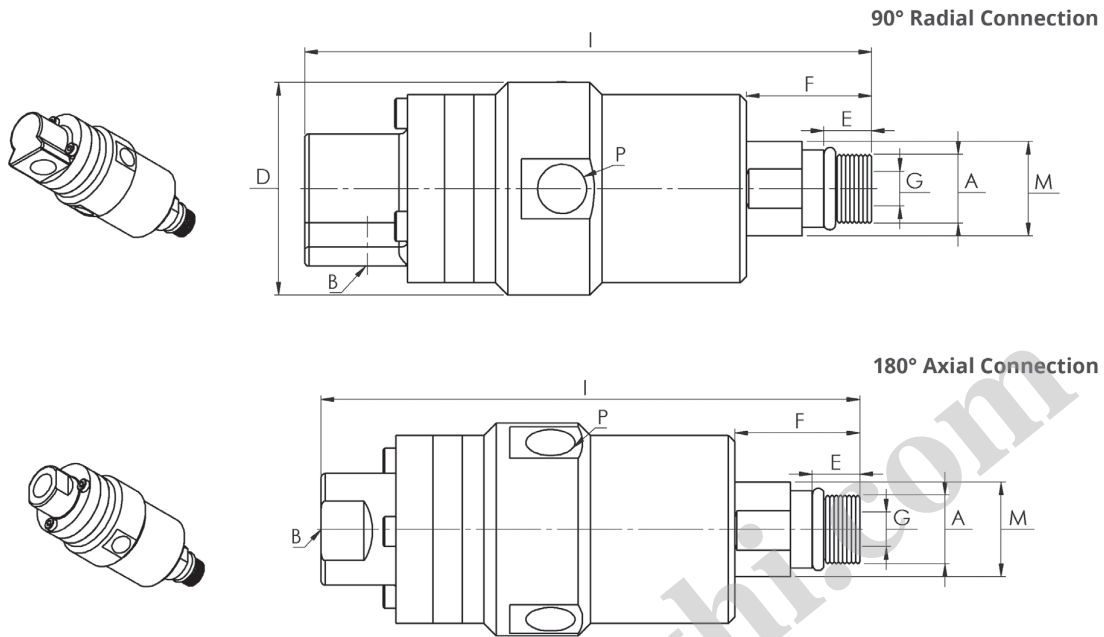
Max. Pressure	:	40 Bar
Max. Speed	:	10.000 rpm/min
Max. Flow Rate	:	80 lt/min
Max. Temperature	:	70 °C



**110 Series**  
Axial Connection

**115 Series**  
Radial Connection

### 110-115 Series 1/4" (DN08) - 3/8" (DN10) Single Flow Rotary Joints



\* Custom sized manufacturing are available.

	Model No	B	D	I	P Drainage Ø (6x60°)	A Shaft	E	F	G	M	Kg
RADIAL (90°)	110-344-403	1/4" NPT	50	126	8,50	5/8" - 18 UNF / LH	11	29	8	22	0,37
	110-444-531	1/4" BSP	50	126	8,50	M16 X 1,5 / LH	11	29	8	22	0,37
	110-544-403	3/8" NPT	50	126	8,50	5/8" - 18 UNF / LH	11	29	8	22	0,37
	110-644-531	3/8" BSP	50	126	8,50	M16 X 1,5 / LH	11	29	8	22	0,37
AXIAL (180°)	115-344-403	1/4" NPT	50	126	8,50	5/8" - 18 UNF / LH	11	29	8	22	0,38
	115-444-531	1/4" BSP	50	126	8,50	M16 X 1,5 / LH	11	29	8	22	0,38
	115-544-403	3/8" NPT	50	126	8,50	5/8" - 18 UNF / LH	11	29	8	22	0,38
	115-644-531	3/8" BSP	50	126	8,50	M16 X 1,5 / LH	11	29	8	22	0,38

