

# K SERIES BALL VIBRATORS

## *Tough, Lightweight Aluminum Ball Vibrators*



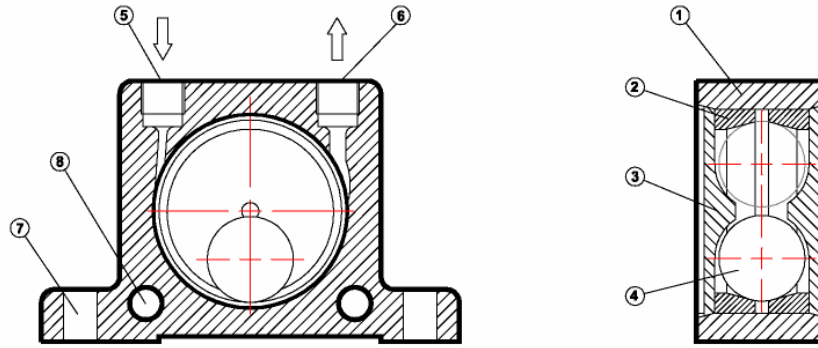
The K Series Pneumatic Ball Vibrators are composed of a rustproof extruded aluminum body fitted with hardened steel races on which a steel ball rotates.

Nylon end plates are located on either side to contain the ball and prevent the entry of dust and water, thus allowing the unit to be used in dusty or wet environments. Inlet and exhaust ports have standard pipe threads, allowing the exhaust air to be piped away if necessary. The K Series Models can be installed in areas with temperatures up to 212°F. Two pairs of mounting holes are provided for either vertical or horizontal mounting.

K Series ball vibrators are small in overall size. Frequency and force can easily be regulated by adjusting the supply air pressure between 20 and 80 p.s.i. This ease of adjustment makes them extremely versatile when used for:

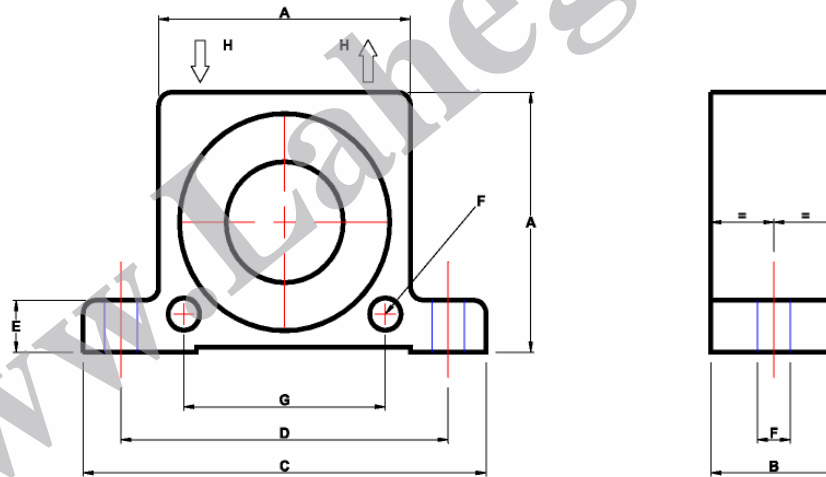
- Aiding material flow from bins and hoppers
- Preventing bottles and other small objects from clogging conveyor systems
- Compacting material in containers or molds
- Particle sizing on vibrating screens

*Inlet Fitting and Exhaust Muffler are included with each K Series Vibrator.*



- 1. Extruded aluminum alloy body
- 2. Hardened ground steel alloy races
- 3. Nylon end plates
- 4. Hardened steel ball
- 5. Air Inlet
- 6. Air Exhaust
- 7. Base mounting holes
- 8. Lateral mounting holes

MODEL	FREQUENCY (vpm)			CENTRIFUGAL FORCE (lbs)			AIR CONSUMPTION (cfm)		
	30 psi	60 psi	90 psi	30 psi	60 psi	90 psi	30 psi	60 psi	90 psi
K8	24500	31000	35000	40	52	83	2.9	5.1	6.9
K10	21600	26800	30000	47	72	90	3.2	5.3	7.1
K13	16000	20800	23600	88	146	191	3.3	5.6	7.9
K16	14300	17600	20200	122	184	245	4.3	7.1	9.9
K20	10700	14200	16000	171	302	382	4.6	8.1	12.0
K25	10100	13200	14500	265	450	545	5.6	10.2	15.0
K30	7600	10000	11000	344	598	722	7.6	13.2	20.0
K36	7500	9300	10300	526	808	990	9.2	16.8	24.0



MODEL	A inch	B inch	C inch	D inch	E inch	F inch	G inch	H BSP*	Weight lbs
K8	1.97	0.79	3.38	2.68	0.47	0.27	1.57	1/4"	0.29
K10	1.97	0.79	3.38	2.68	0.47	0.27	1.57	1/4"	0.29
K13	2.56	0.94	4.45	3.54	0.63	0.35	1.97	1/4"	0.57
K16	2.56	1.06	4.45	3.54	0.63	0.35	1.97	1/4"	0.66
K20	3.15	1.30	5.04	4.09	0.63	0.35	2.36	1/4"	1.17
K25	3.15	1.50	5.04	4.09	0.63	0.35	2.36	1/4"	1.39
K30	3.94	1.73	6.30	5.12	0.79	0.43	3.15	3/8"	2.49
K36	3.97	1.97	6.30	5.12	0.79	0.43	3.15	3/8"	2.95

\* Will accept NPT